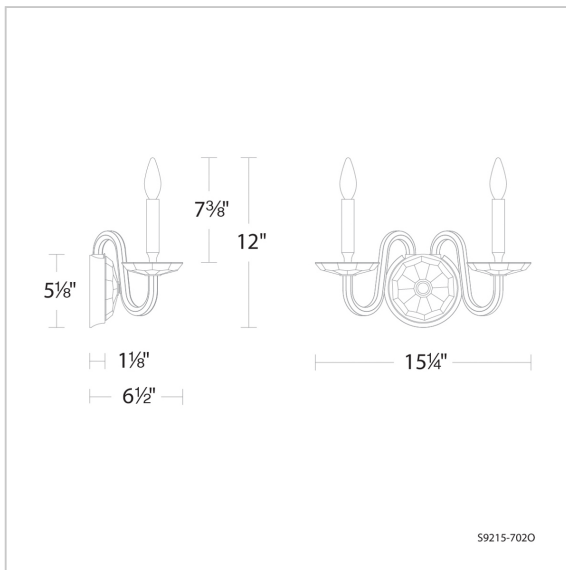


Habsburg

S9215



LINE DRAWING



DESCRIPTION

A classic silhouette popular with dynasty royals, the Habsburg Schonbek is a revival from our vaults. Updated with state-of-the-art Optic Crystal for perfect internal refraction, this design represents the ageless heirloom quality of our crystal tradition.

FEATURES

- Uses one 60w maximum B10 bulb (not included)

AVAILABLE TRIM



Optic Crystal
(O)

AVAILABLE FINISHES



Polished
Chrome
(-702)

SPECIFICATIONS

Light Source Standards	Incandescent UL/cUL
-------------------------------	------------------------

Model	Finish	Crystal	# of Lights	Voltage	Height	Width	Length	Weight
S9215	- 702	O	1 Light	120V	12"	6.5"	15.3"	10lbs

Example: S9215-7020