

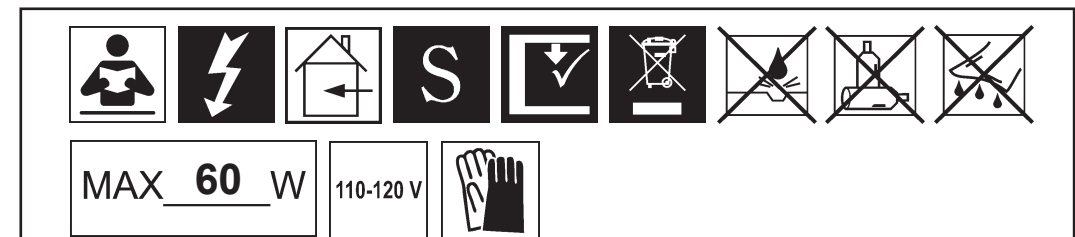
SCHONBEK  
*Signature*<sup>™</sup>

**SAN MARCO**  
**S8608N- \_\_ \_\_ R**

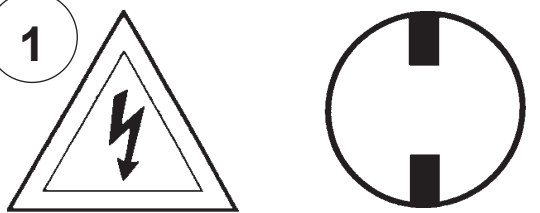


**T**HIS DESIGN IS THE PROPRIETARY  
TRADE DRESS/TRADEMARK OF  
W SCHONBEK LLC.

SCHONBEK  
*Signature*<sup>™</sup>

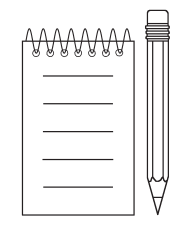
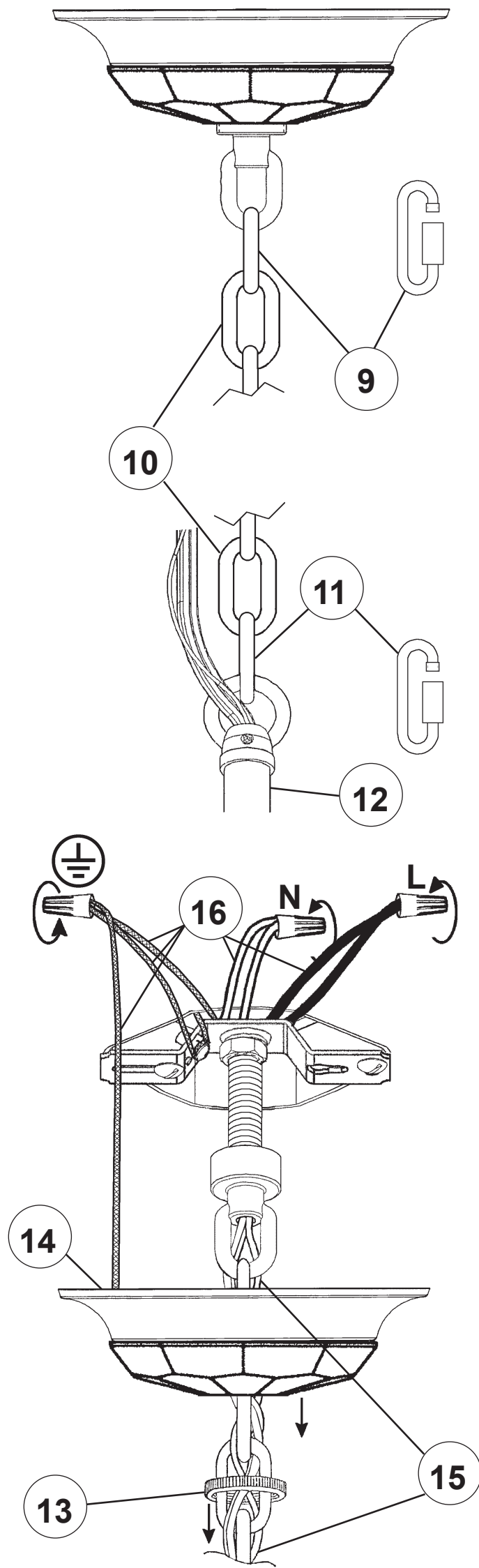
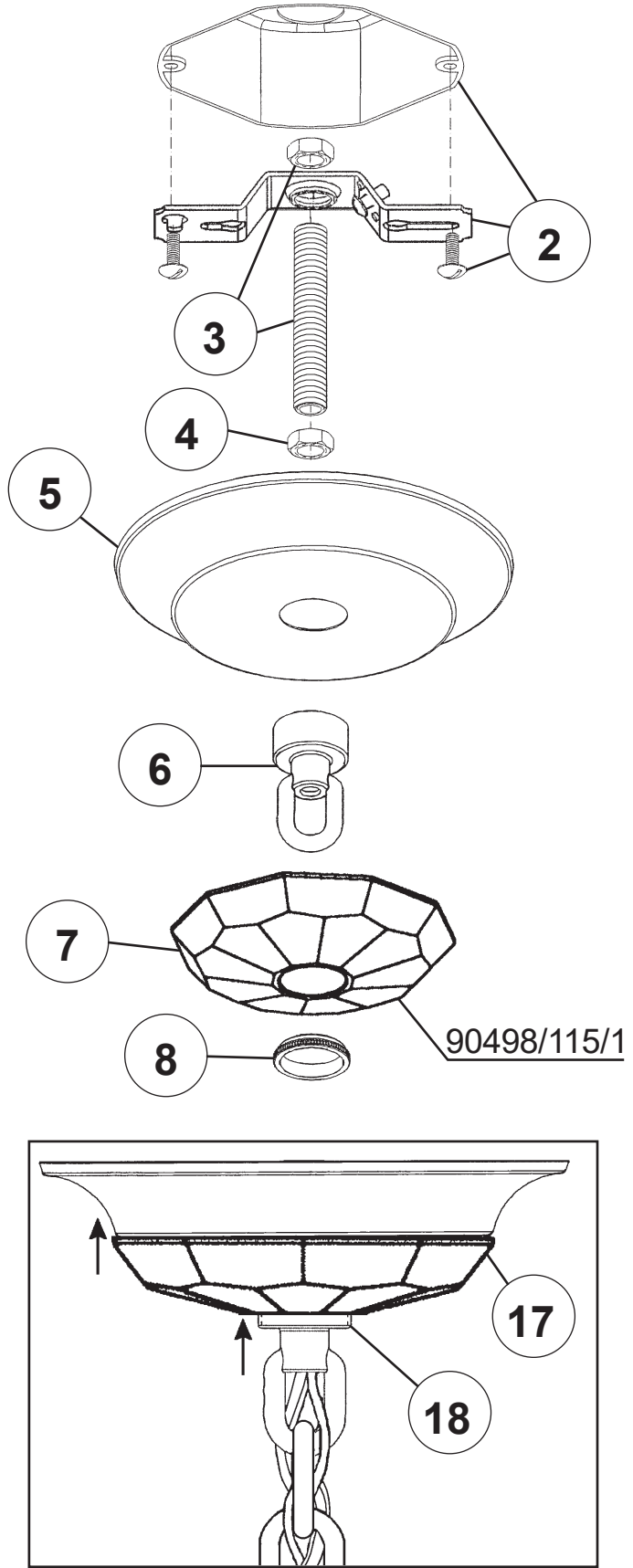


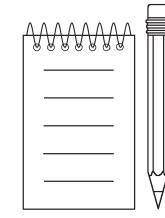
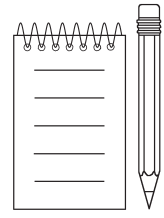
**WARNING:**

1 

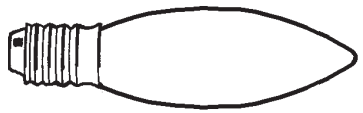
**Electrical Danger Turn Power Off**

All electrical components must be installed by a licensed electrician in accordance with the National Electric Code and the appropriate local electrical codes.





20



You will need 8 - B10  
25 Watts Recommended  
60 Watts Max

