

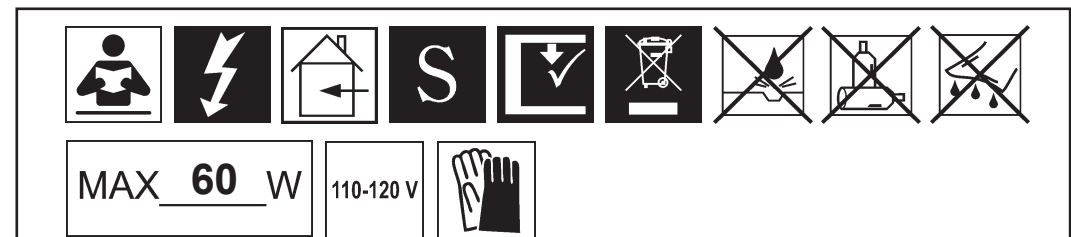
SCHONBEK
Signature[™]

SAN MARCO
S8606N-__ _R

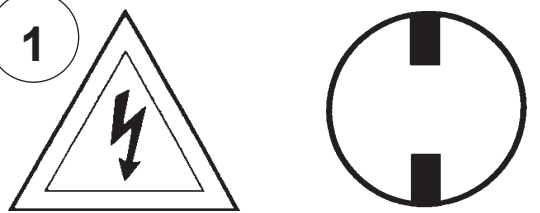


THIS DESIGN IS THE PROPRIETARY
TRADE DRESS/TRADEMARK OF
W SCHONBEK LLC.

SCHONBEK
Signature[™]

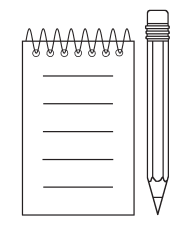
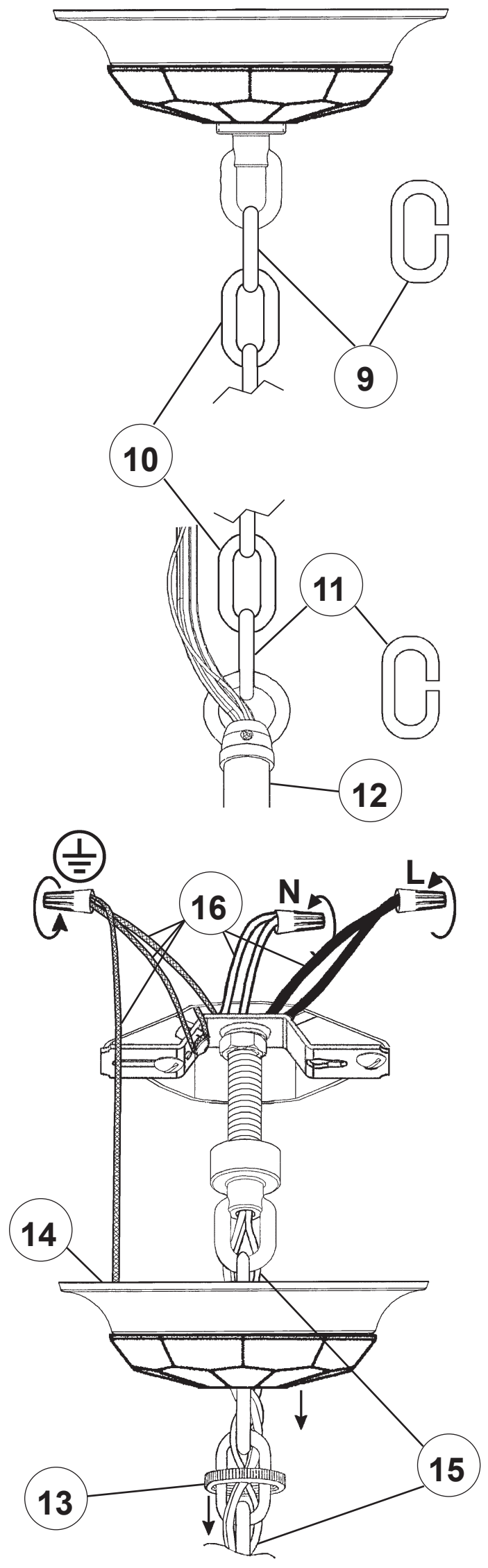
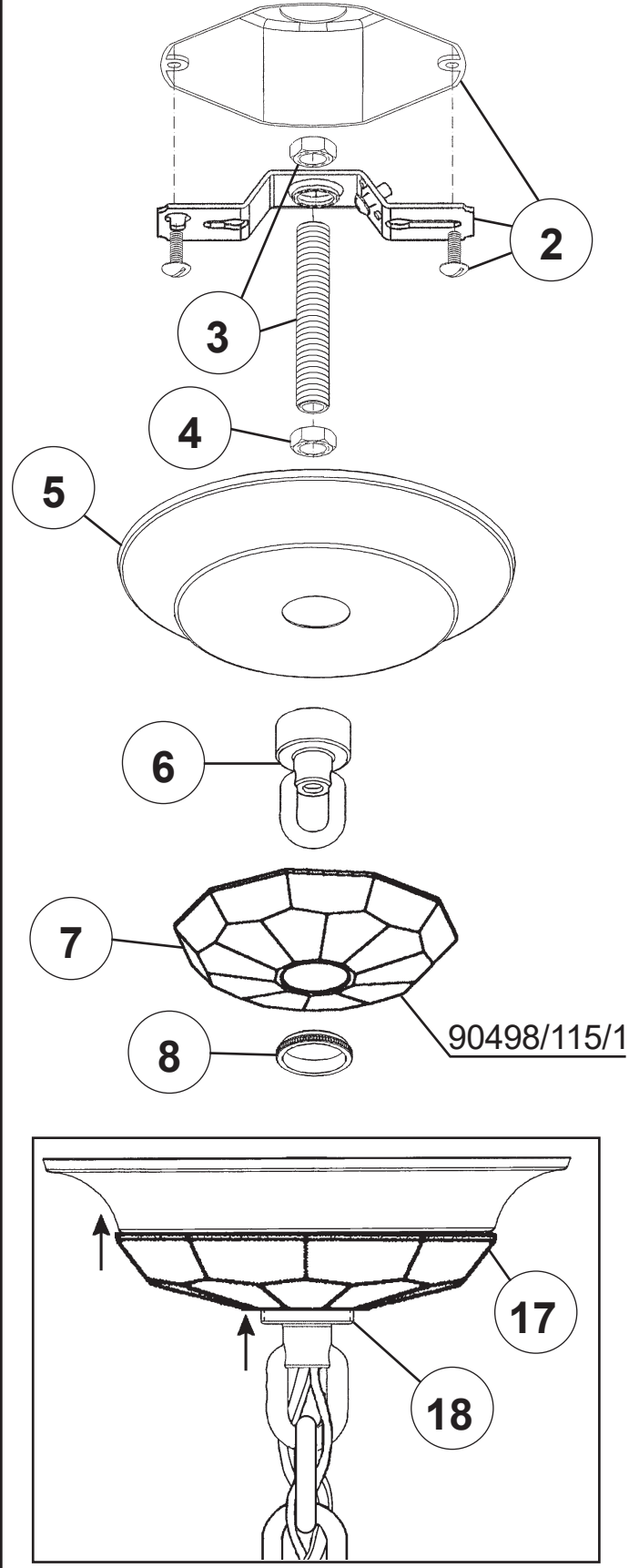


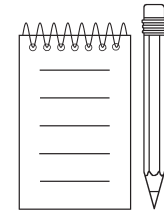
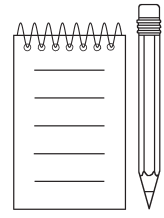
WARNING:



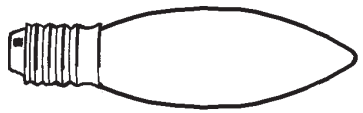
1 Electrical Danger Turn Power Off

All electrical components must be installed by a licensed electrician in accordance with the National Electric Code and the appropriate local electrical codes.

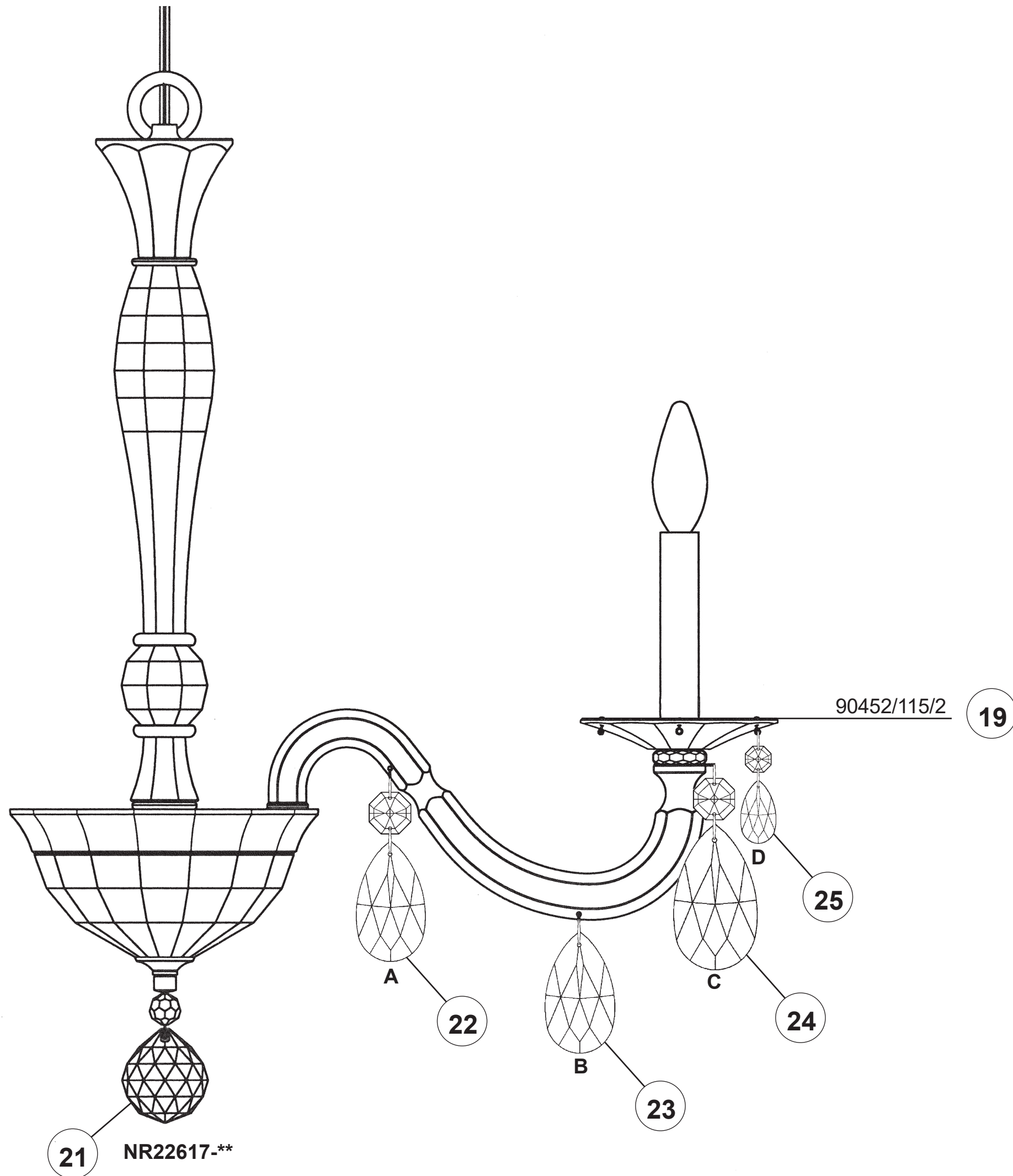




20



You will need 6 - B10
25 Watts Recommended
60 Watts Max



21 NR22617-**