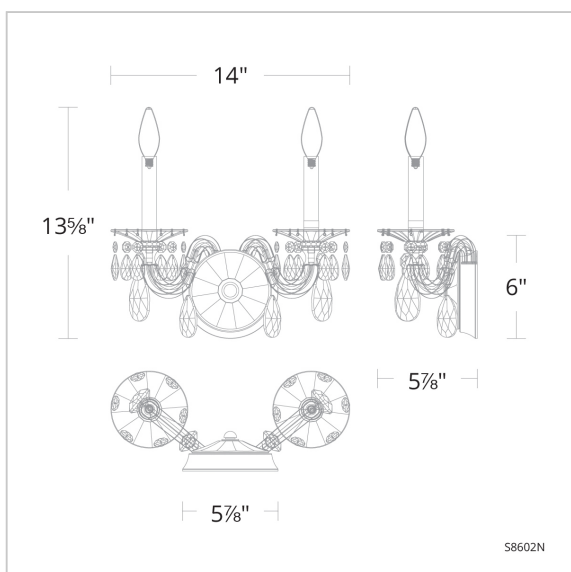


San Marco

S8602



LINE DRAWING



DESCRIPTION

In the progressive style of the urban bourgeoisie, San Marco forgoes the embellishments favored by the land-owning class for a more modern sophistication where austerity and proportionality is respected. Drawn into Bohemian cut crystal vases, each lustrous, hand-finished arm proffers exquisite drops of Schonbek Radiance Crystal.

FEATURES

- Artisan aluminum cast arms
- Uses two 60w maximum B10 bulbs (not included)
- Adorned by traditional Schonbek Radiance crystal drops
- Available in Schonbek Signature Finishes and Schonbek Premium Finishes

AVAILABLE TRIM



Radiance
Crystal
(R)

AVAILABLE FINISHES



Black
(-51)



Antique Silver
(-48)



Heirloom
Gold
(-22)



Heirloom
Bronze
(-76)
Premium



Etruscan
Gold
(-23)
Premium



French Gold
(-26)
Premium

SPECIFICATIONS

Light Source Standards Incandescent
UL/cUL

Model	Finish	Crystal	# of Lights	Voltage	Height	Width	Length	Weight
S8602	- 22 - 23 - 26 - 48 - 51 - 76	R	2 Light	120V	13.6"	14"	5.9"	3lbs

Example: S8602N-76R

San Marco

schonbek.com
Phone (800) 836.1892 | Fax: (518) 563.4228

Headquarters/Eastern Distribution Center
61 Industrial Blvd, Plattsburgh, NY 12901