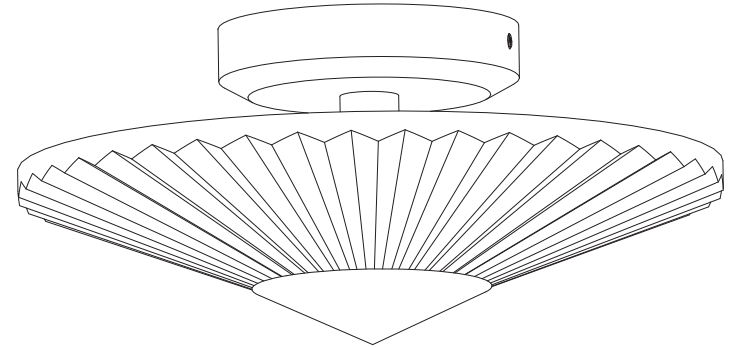


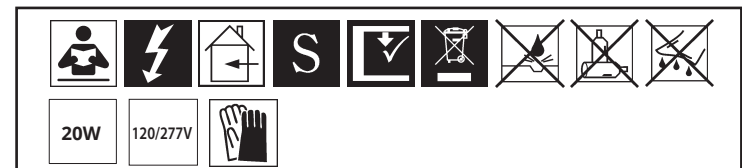
SCHONBEK
*Signature*TM

**ORIGAMI
S7216-__H**



THIS DESIGN IS THE PROPRIETARY
TRADE DRESS/TRADEMARK OF
W SCHONBEK LLC.

SCHONBEK
*Signature*TM



All electrical components must be installed by a licensed electrician in accordance with the National Electric Code and the appropriate local electrical codes.

