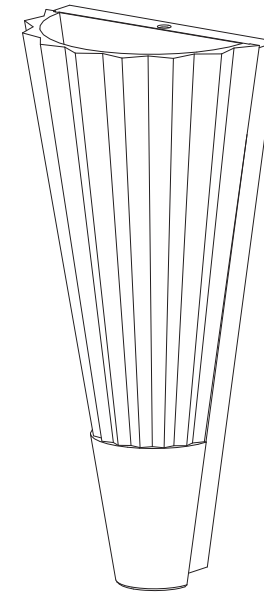


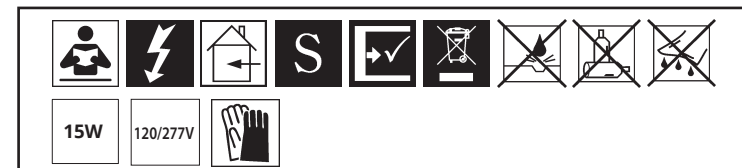
SCHONBEK  
*Signature*<sup>™</sup>

**ORIGAMI  
S7214-\_\_\_H**

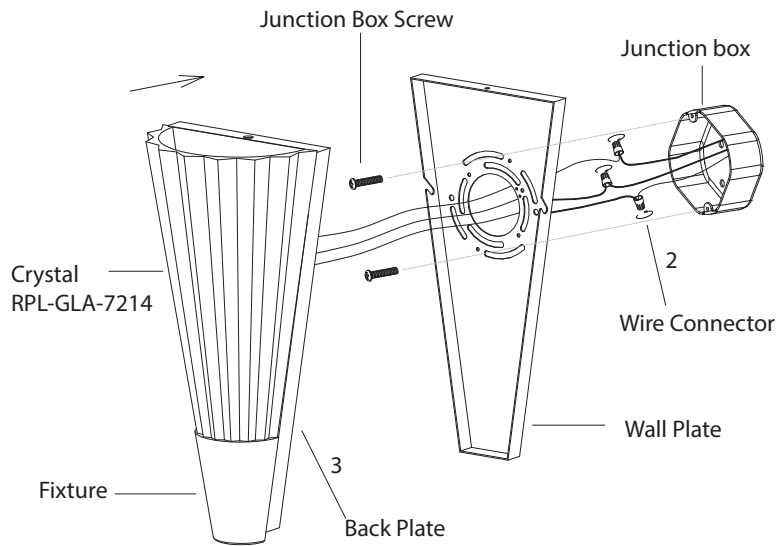
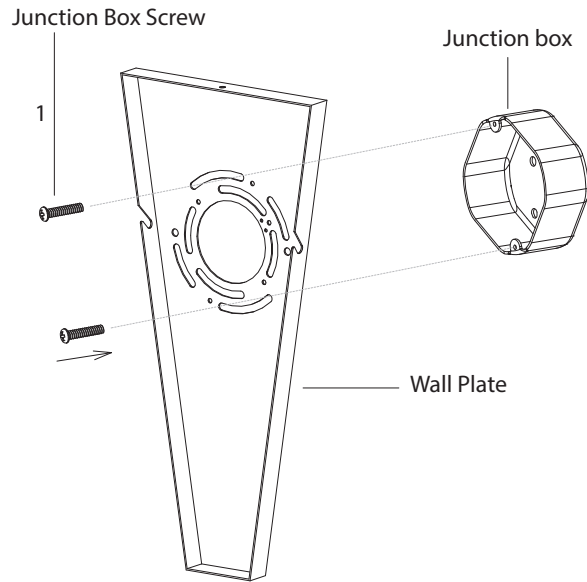


**T**HIS DESIGN IS THE PROPRIETARY  
TRADE DRESS/TRADEMARK OF  
W SCHONBEK LLC.

SCHONBEK  
*Signature*<sup>™</sup>



All electrical components must be installed by a licensed electrician in accordance with the National Electric Code and the appropriate local electrical codes.



Mounting Screw

