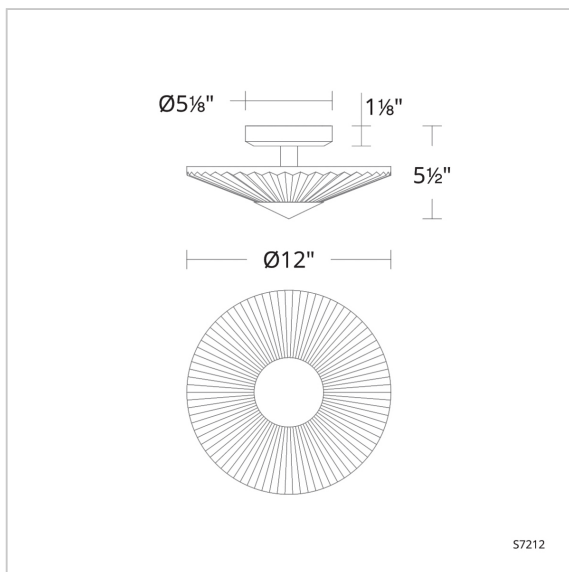


Origami

S7212



LINE DRAWING



DESCRIPTION

Calming and prescient, the Origami Collection proffers a simple elegance. Folds in the patterned hand-cut crystal glass shade act as prisms, bending the light to create breathtaking illumination from its integrated LEDs

FEATURES

- Built in color temperature adjustability. Switch from 3000K/3500K/4000K. Switch may be installed in junction box.
- Can be mounted on ceiling or wall in all orientations
- Driver concealed within the fixture

CRYSTAL OPTIONS



Heritage
Handcut Crystal
(H)

FINISH OPTIONS



Polished
Chrome
(-702)



Aged Brass
(-700)

SPECIFICATIONS

Light Source	LED
CRI	90
Dimming	ELV, Triac
Standards	ETL/cETL

Model	Finish	Crystal	Size	CCT	Weight	Voltage	Wattage	LED Lumens	Delivered Lumens
S7212	- 700 - 702	H	12"	3000K/3500K/ 4000K	7.2lbs	120V/277V	15W	1700	Up To 689

Example: S7212-702H