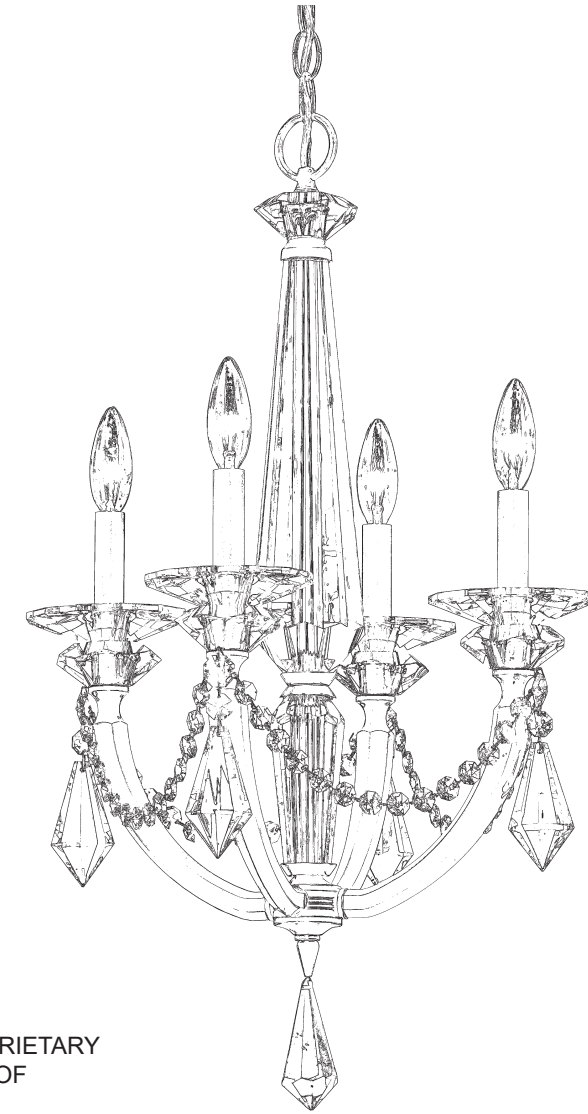


VERONA
S6704N- __ __ R



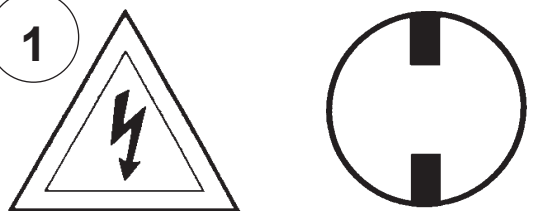
THIS DESIGN IS THE PROPRIETARY
TRADE DRESS/TRADEMARK OF
W SCHONBEK LLC.

SCHONBEK
Signature[™]

SCHONBEK
Signature[™]

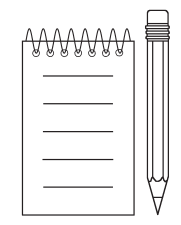
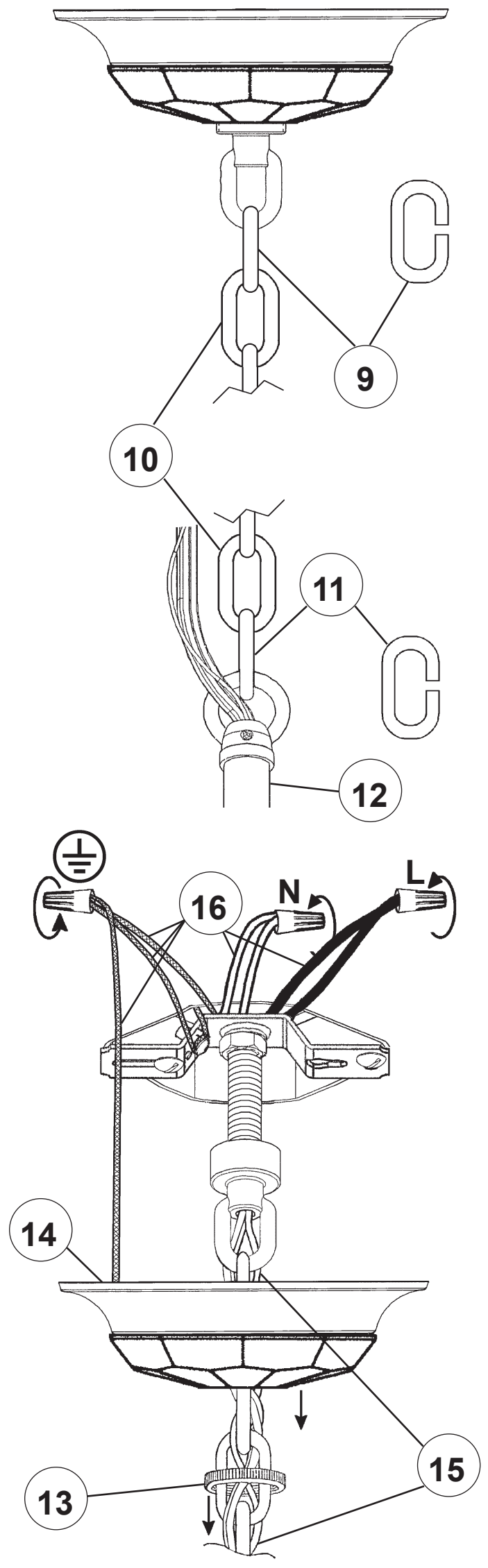
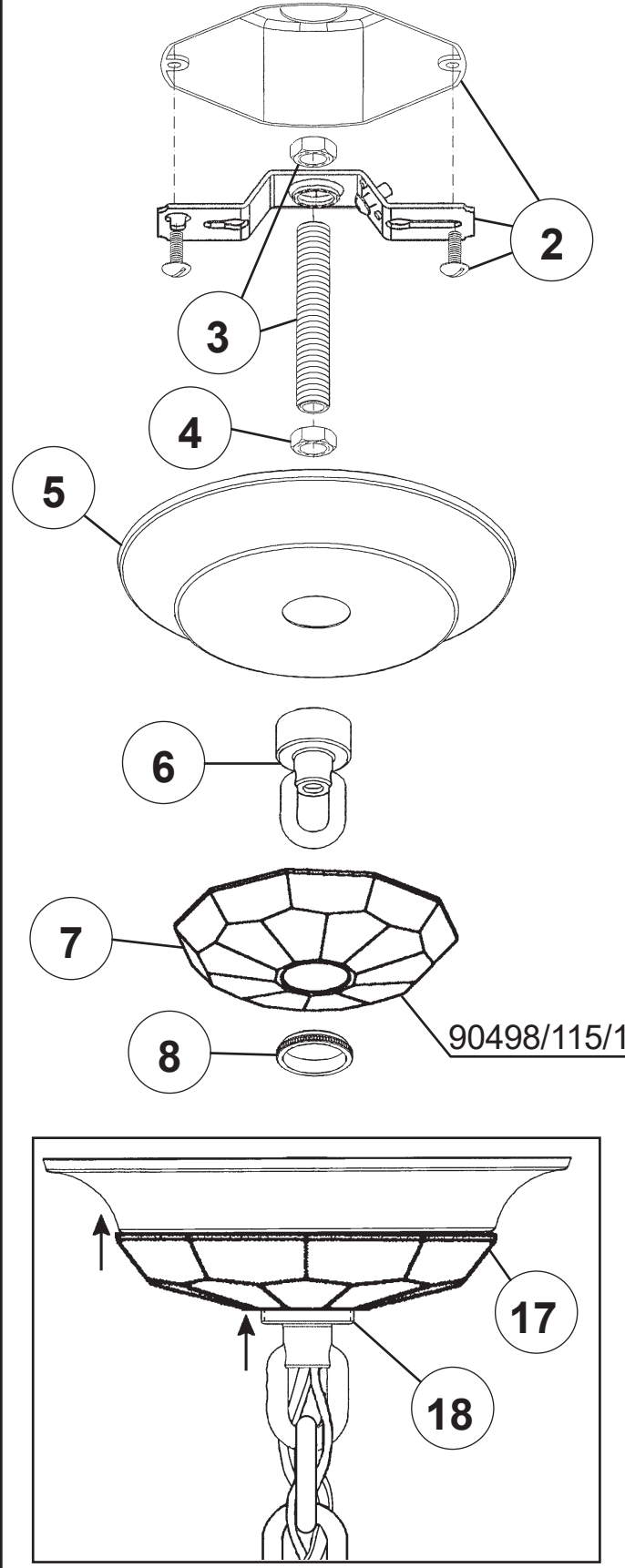
MAX <u>60</u> W	110-120 V							

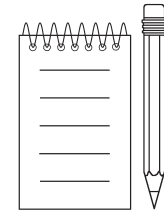
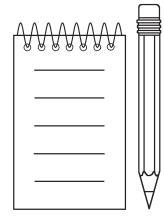
WARNING:

1 

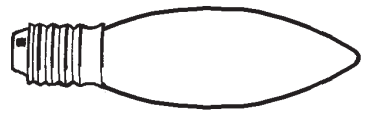
Electrical Danger Turn Power Off

All electrical components must be installed by a licensed electrician in accordance with the National Electric Code and the appropriate local electrical codes.





21



You will need 4 - B10
25 Watts Recommended
60 Watts Max

1 X  : 400/16-**

