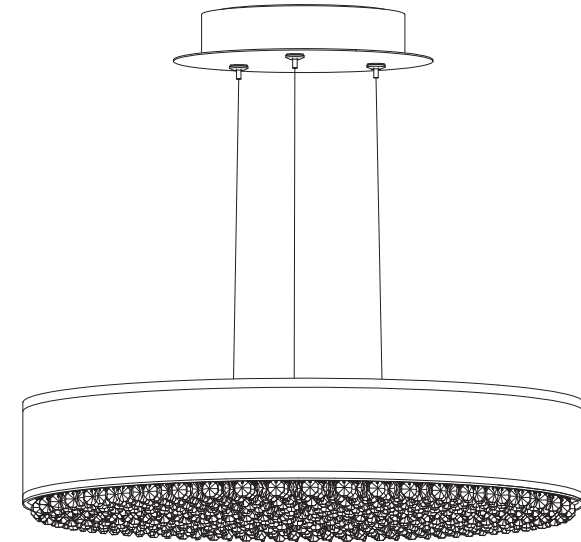


SOLEIL S6319/24/29-401R ____



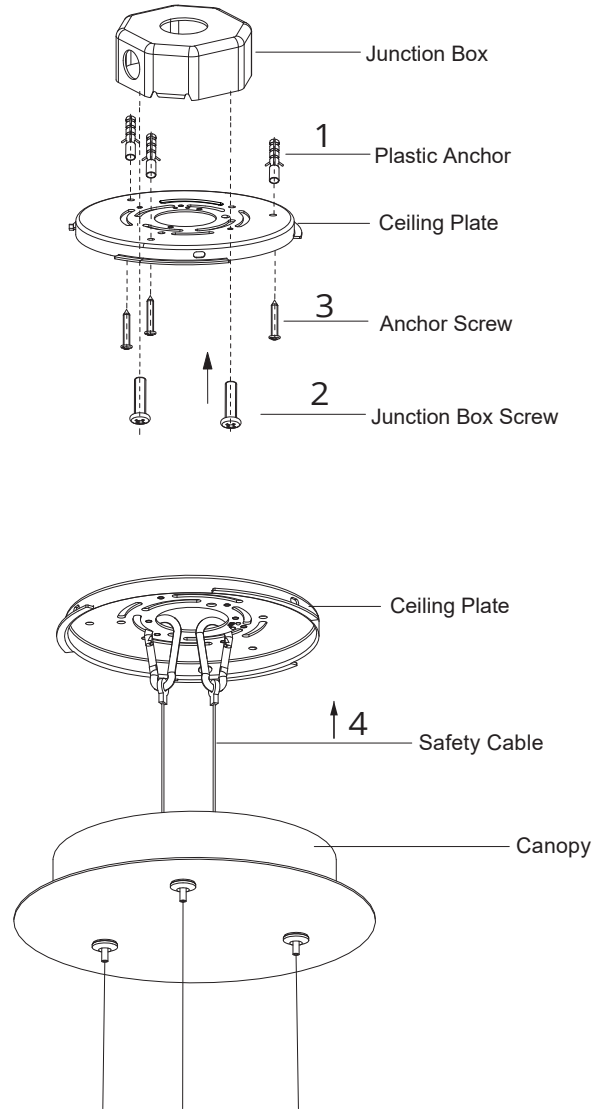
THIS DESIGN IS THE PROPRIETARY
TRADE DRESS/TRADEMARK OF
W SCHONBEK LLC.

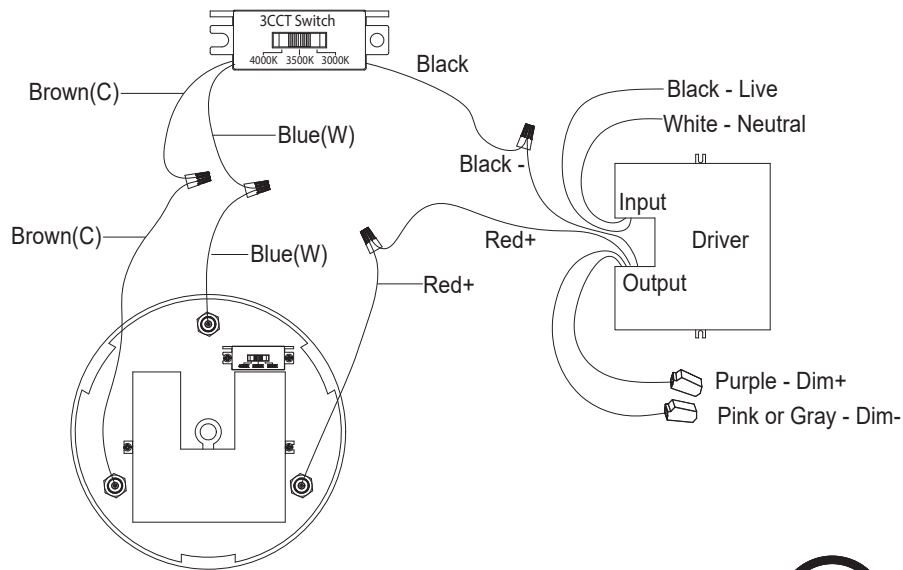
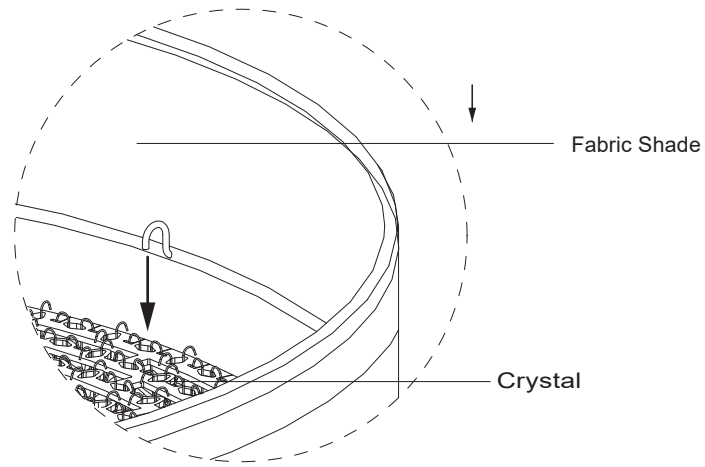


S6319: 26W S6324: 32W S6329: 44W			120-277 V					

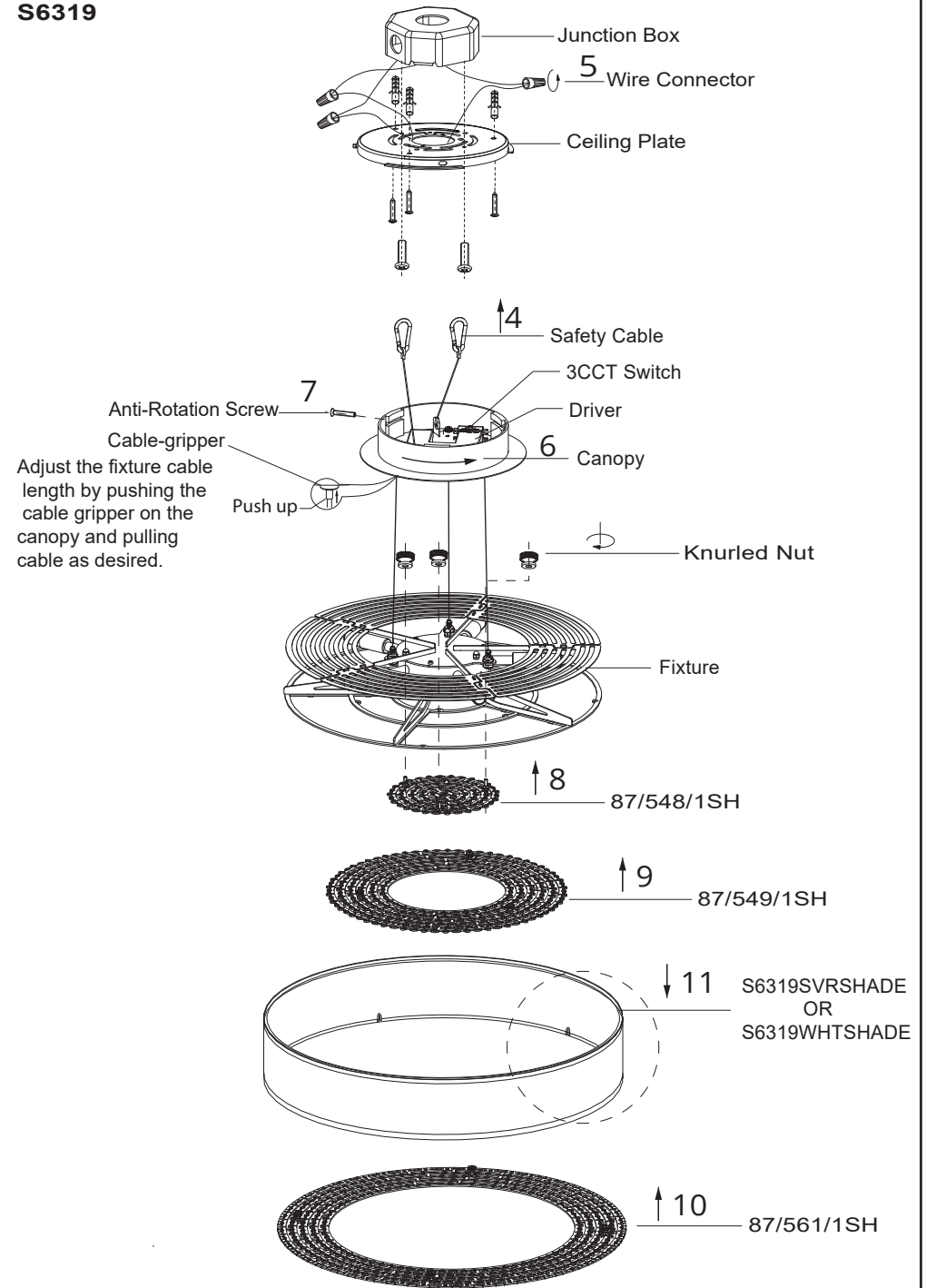
WWW.SCHONBEK.COM/INSTALLATIONMANUAL

All electrical components must be installed by a licensed electrician in accordance with the National Electric Code and the appropriate local electrical codes.

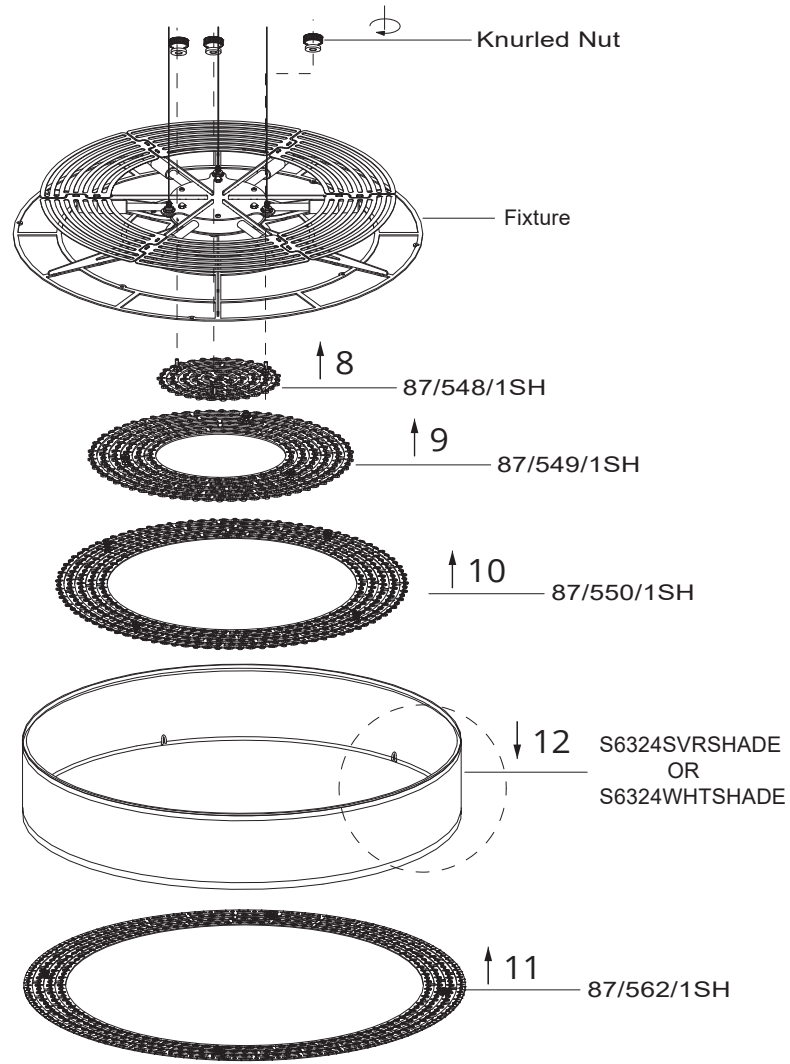




S6319



S6324



S6329

