

Verita

S5518



DESCRIPTION

An ardently impetuous expression of modern style, Verita offers redemption in its elegant restraint. A lustrous, hand-finished shade culminates in a shimmering sea of intricately pinned Optic Crystal to refract the potent LED illumination within.

FEATURES

- Built in color temperature adjustability. Switch from 3000K/3500K/4000K. Switch may be installed in junction box.
- Hangstraight swivel.
- Three 12" and one 6" down rods included (additional sold separately)
- Can be mounted on a sloped ceiling.

CRYSTAL OPTIONS



Optic Crystal
(O)

FINISH OPTIONS



Soft Silver
(-710)

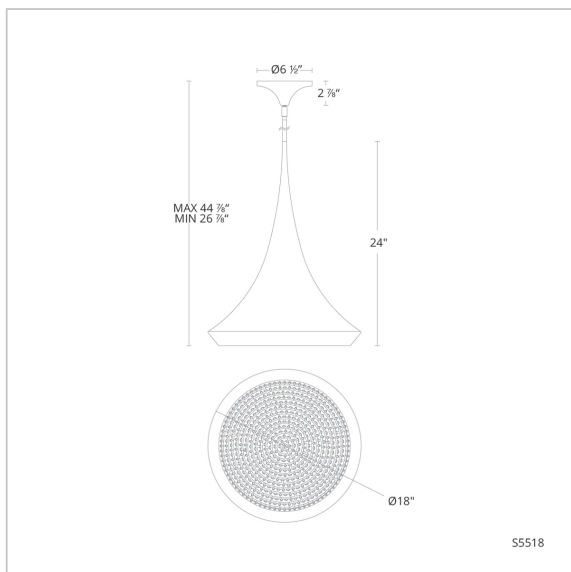


Soft Gold
(-709)



Black
(-18)

LINE DRAWING



SPECIFICATIONS

Light Source	LED
CRI	90
Dimming	ELV, Triac
Standards	ETL/cETL, Title 24

REPLACEMENT PARTS

- RPL-ROD-A06PC120S- - 6" Rod (710)
- RPL-ROD-A12PC120S- - 12" Rod (710)
- RPL-ROD-A06PC120S- - 6" Rod (709)
- RPL-ROD-A12PC120S- - 12" Rod (709)
- RPL-ROD-A06PC120S- - 6" Rod (18)
- RPL-ROD-A12PC120S- - 12" Rod (18)

Model	Finish	Crystal	Size	CCT	Weight	Voltage	Wattage	LED Lumens	Delivered Lumens
S5518	- 18 - 709 - 710	O	18"	3000K/3500K/ 4000K	15lbs	120V	27W	2655	Up To 1215

Example: S5518-7100