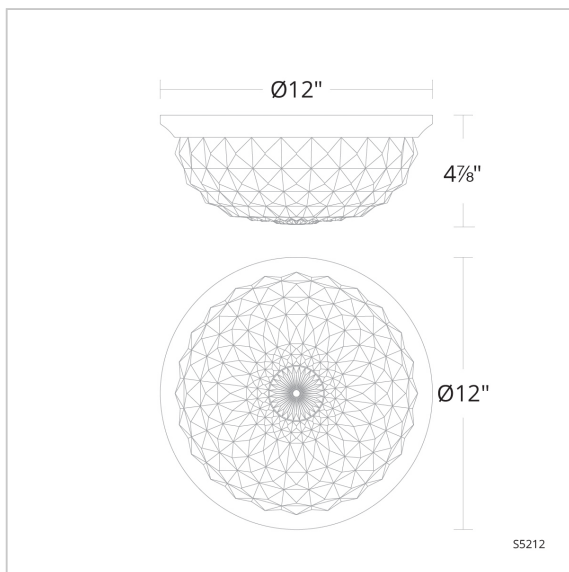


Genoa

S5212



LINE DRAWING



DESCRIPTION

Synchronizing the rhythm of light, Genoa masterfully optimizes for brilliance with patented techniques that efficiently scatter bright LED point sources for visual delight. The crystal facets are polished to crispness to showcase its perfect optical clarity.

FEATURES

- Built in color temperature adjustability. Switch from 3000K/3500K/4000K.
- Can be mounted on ceiling or wall in all orientations

CRYSTAL OPTIONS



Optic Crystal
(O)

FINISH OPTIONS



Aged Brass
(-700)



Polished
Chrome
(-702)

SPECIFICATIONS

Light Source	LED
CRI	90
Dimming	ELV, Triac
Standards	ETL/cETL, Title 24

REPLACEMENT PARTS

- RPL-GLA-5212-01 - Outer Glass Shade
- RPL-GLA-5212-02 - Inner Glass Shade

Model	Finish	Crystal	Size	CCT	Weight	Voltage	Wattage	LED Lumens	Delivered Lumens
S5212	- 700 - 702	O	12"	3000K/3500K/ 4000K	9.8lbs	120V	18W	1918	Up To 1530

Example: S5212-7000