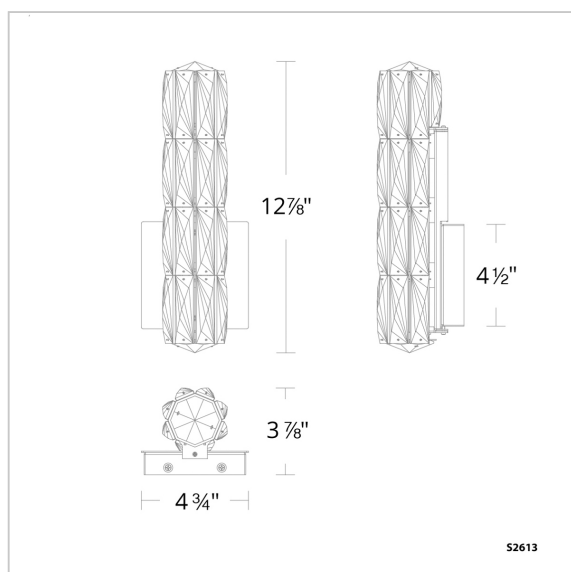


Verve LED

S2613



LINE DRAWING



DESCRIPTION

Generating an energizing presence, cylinders of Radiance Crystal baguettes are stacked and illuminated with powerful LEDs that may be adjusted for color temperature to enhance interior furnishings. Verve is well tailored and dazzling to behold.

FEATURES

- Built in color temperature adjustability. Switch from 3000K/3500K/4000K. Switch may be installed in junction box.
- Can be mounted on wall in all orientations
- Driver concealed within the fixture

CRYSTAL OPTIONS



Radiance
Crystal
(R)

FINISH OPTIONS



Polished
Stainless
Steel
(-401)

SPECIFICATIONS

| | |
|---------------------|--------------------|
| Light Source | LED |
| CRI | 90 |
| Dimming | ELV,0-10V, Triac |
| Standards | ETL/cETL, Title 24 |

REPLACEMENT PARTS

87/716/1SH - Sector Heritage Crystal

| Model | Finish | Crystal | Size | CCT | Weight | Voltage | Wattage | LED Lumens | Delivered Lumens |
|-------|--------|---------|------|-----------------------|--------|-----------|---------|------------|------------------|
| S2613 | - 401 | R | 13" | 3000K/3500K/ 4000K | 5.5lbs | 120V/277V | 11W | 720 | Up To 504 |

Example: S2613-401R