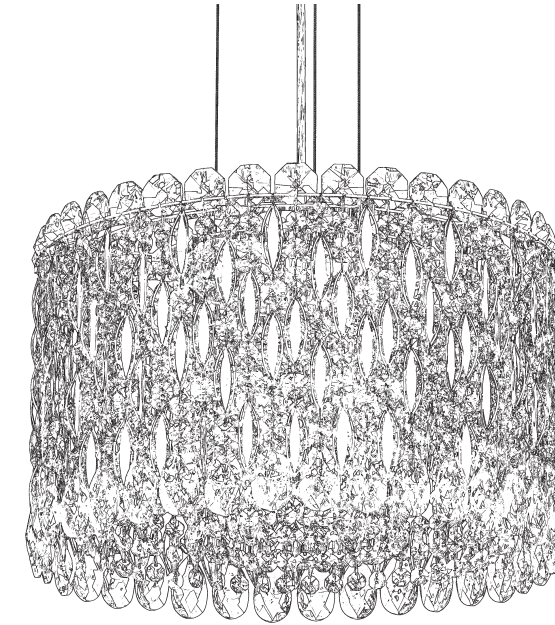


 **SCHONBEK** | 1870











SARELLA
RS8345N- __ __ H

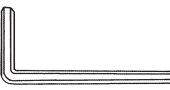


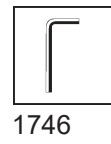
THIS DESIGN IS THE PROPRIETARY
TRADE DRESS/TRADEMARK OF
W SCHONBEK LLC.

8 Lights
Diameter: 15-1/2"
Height: 10"
Hanging Weight: 18lbs.

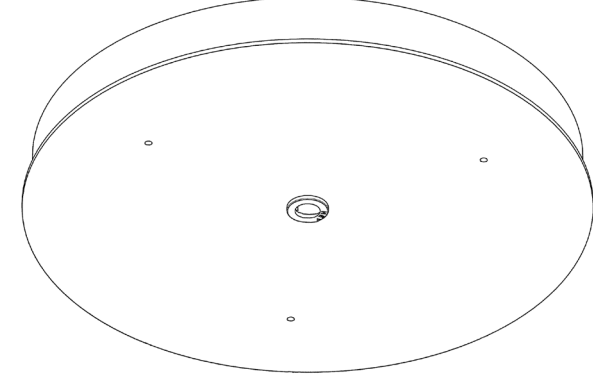
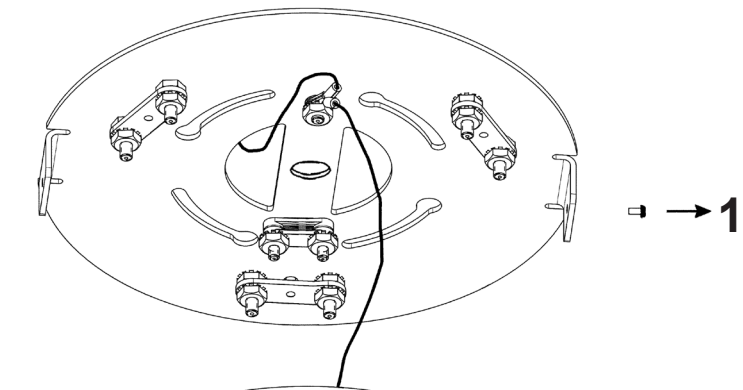
 **SCHONBEK** | 1870

			S						
MAX 40 W	110-120 V								

1 X  : 1746



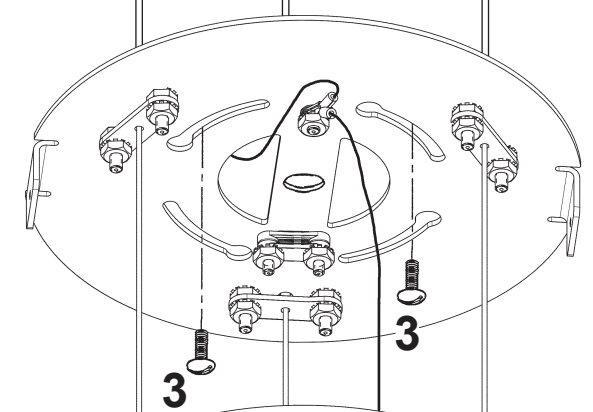
1



2

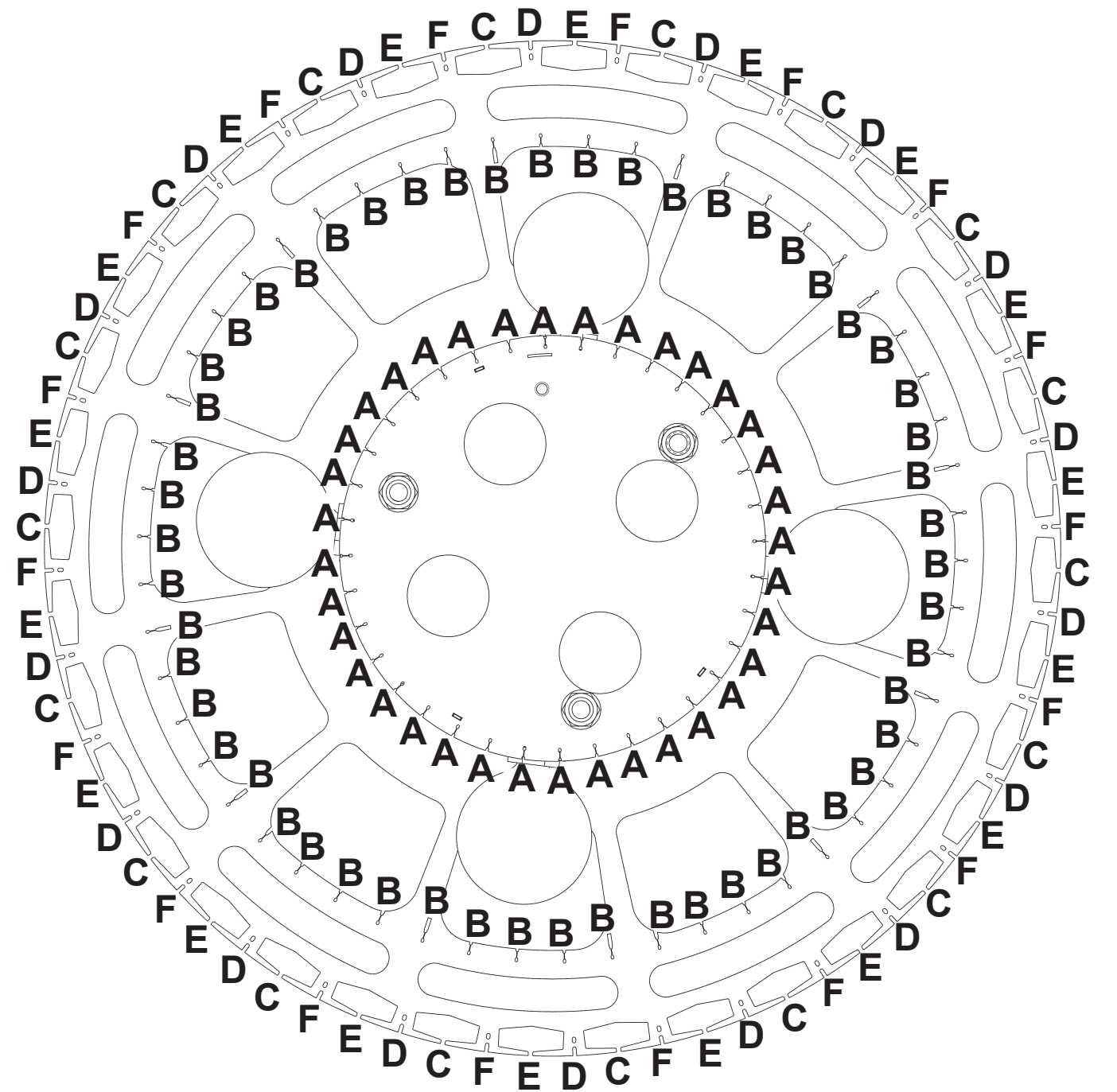
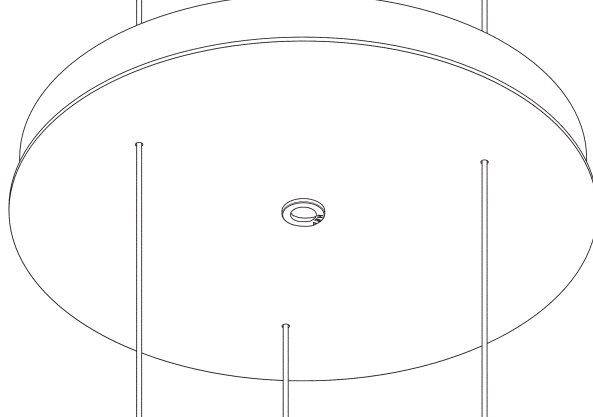
2

2



3

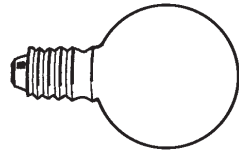
3



15	A
16	B
17	C
18	D
19	E
20	F

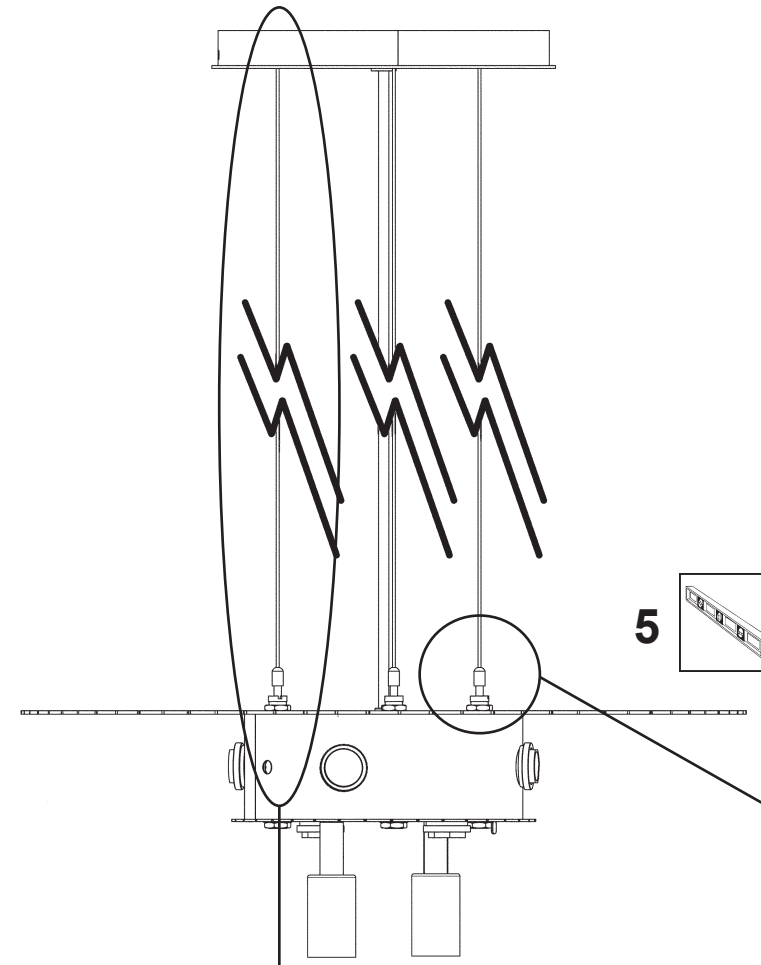
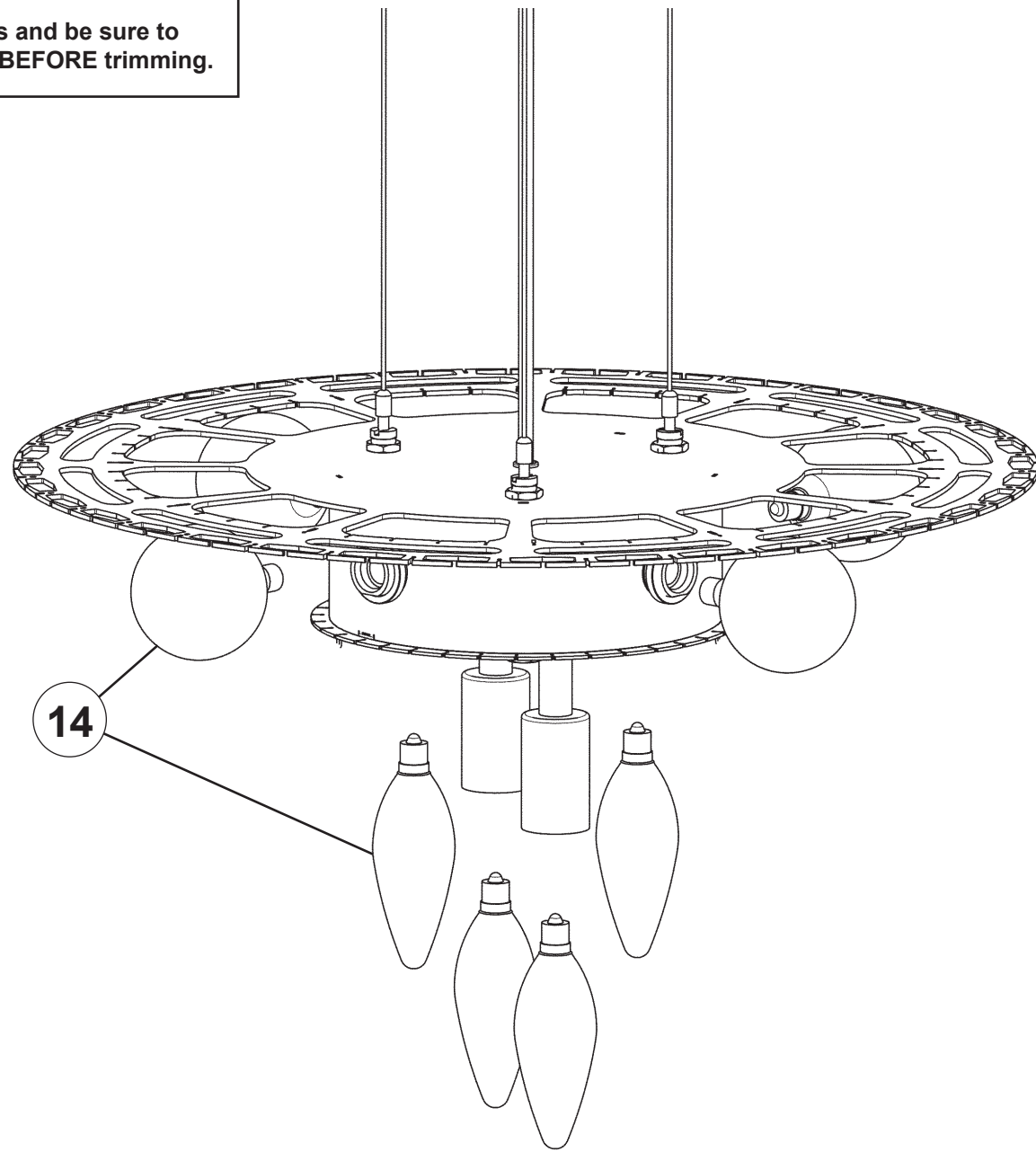


You will need 4 - B10 Bulbs
40 Watts Max

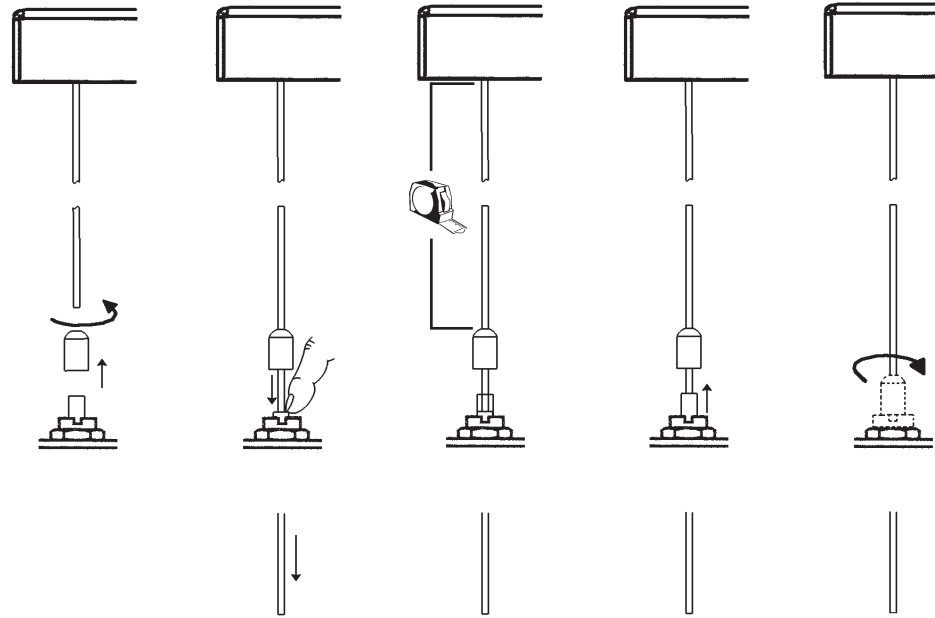


You will need 4 - G16-1/2 Bulbs
40 Watts Max

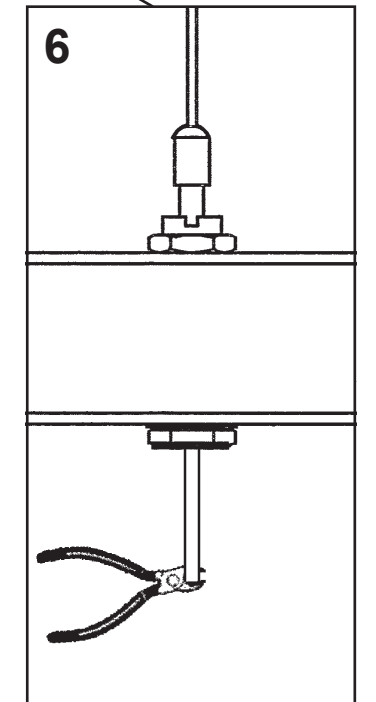
**Install bulbs and be sure to
test fixture BEFORE trimming.**

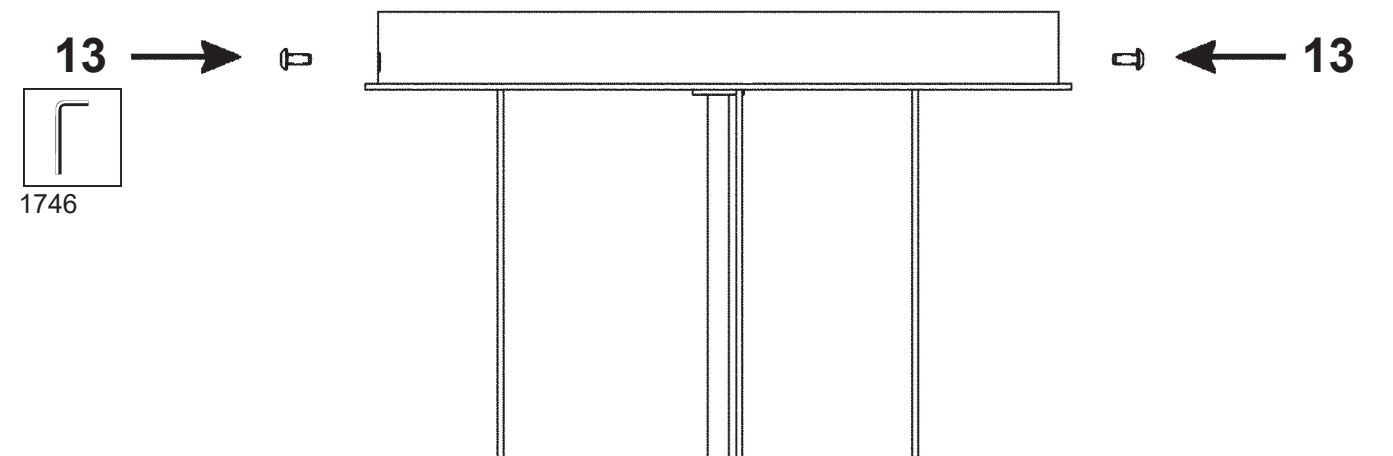
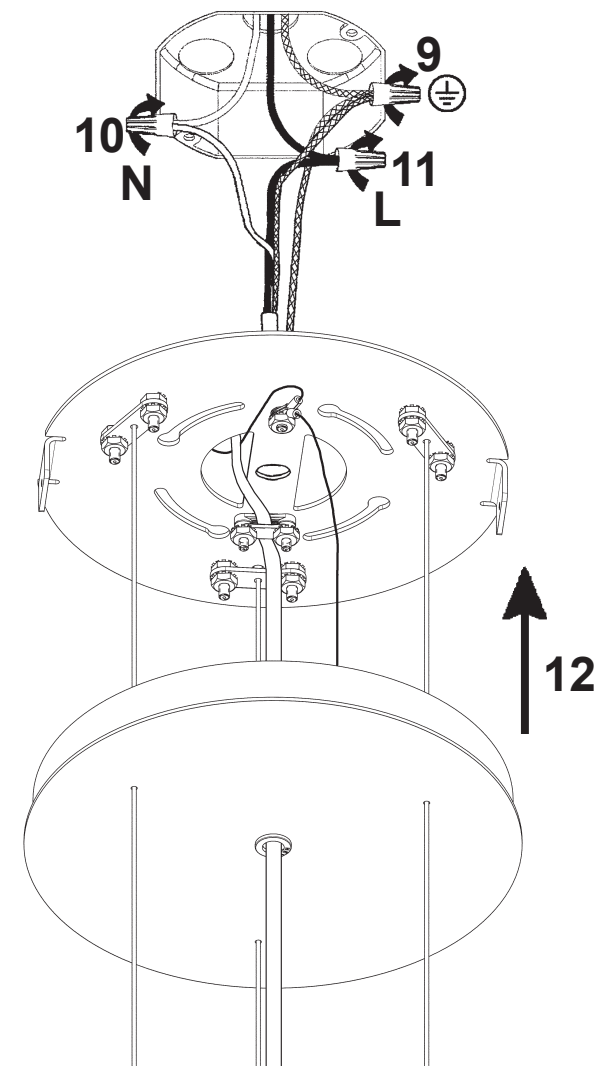
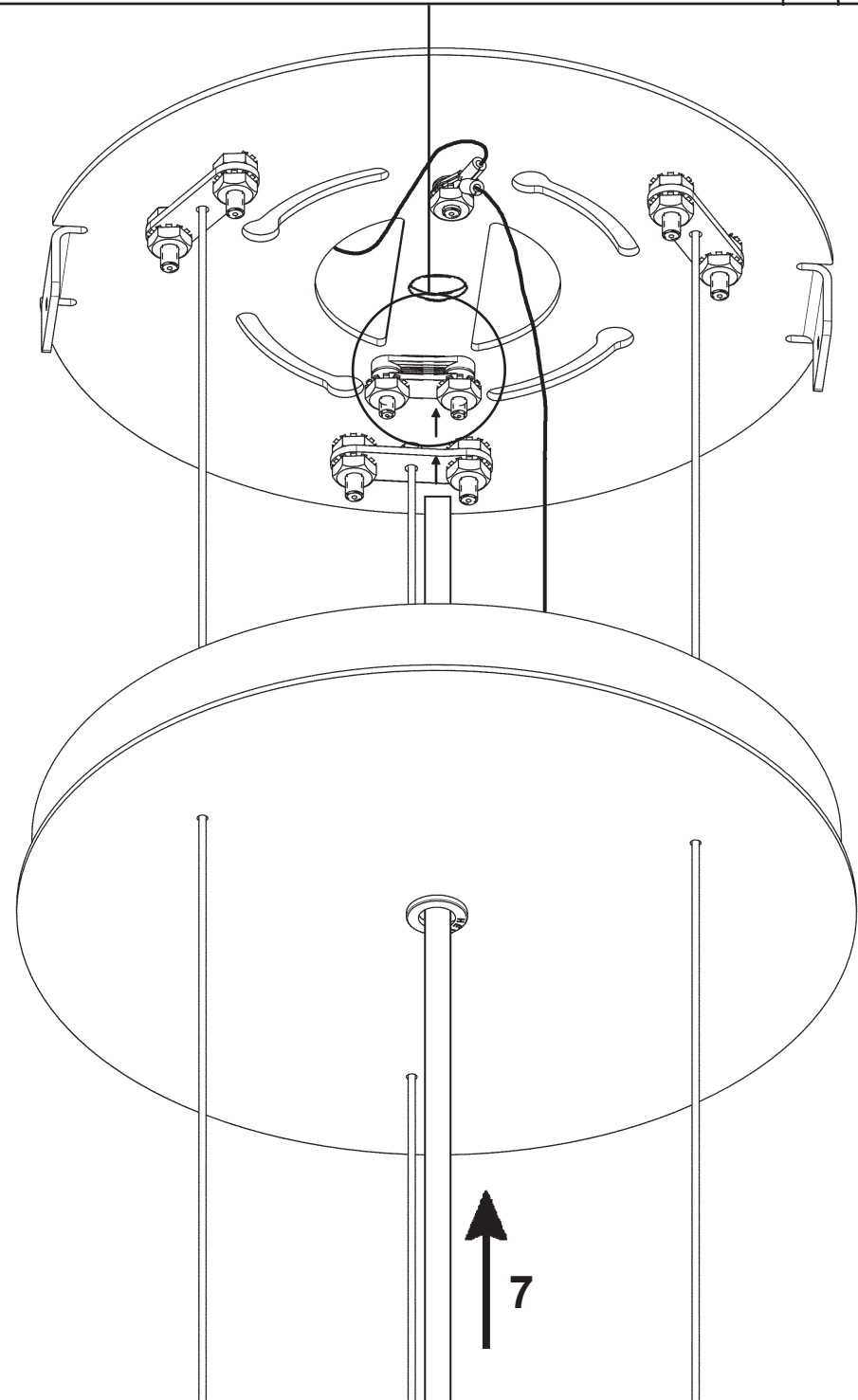
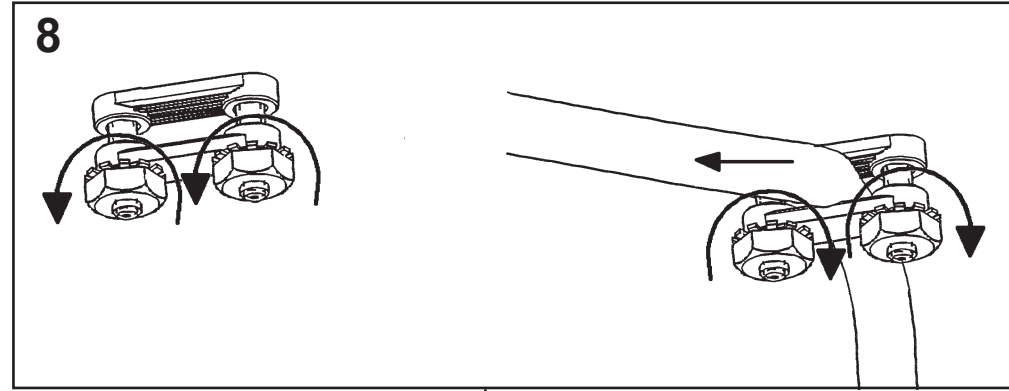


4



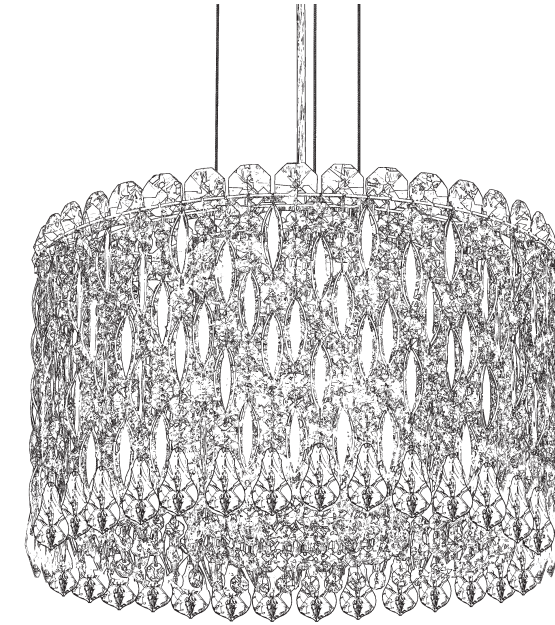
6





 **SCHONBEK** | 1870










SARELLA
RS8345N- __ __ R

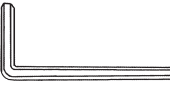


THIS DESIGN IS THE PROPRIETARY
TRADE DRESS/TRADEMARK OF
W SCHONBEK LLC.

8 Lights
Diameter: 15-1/2"
Height: 10"
Hanging Weight: 18lbs.

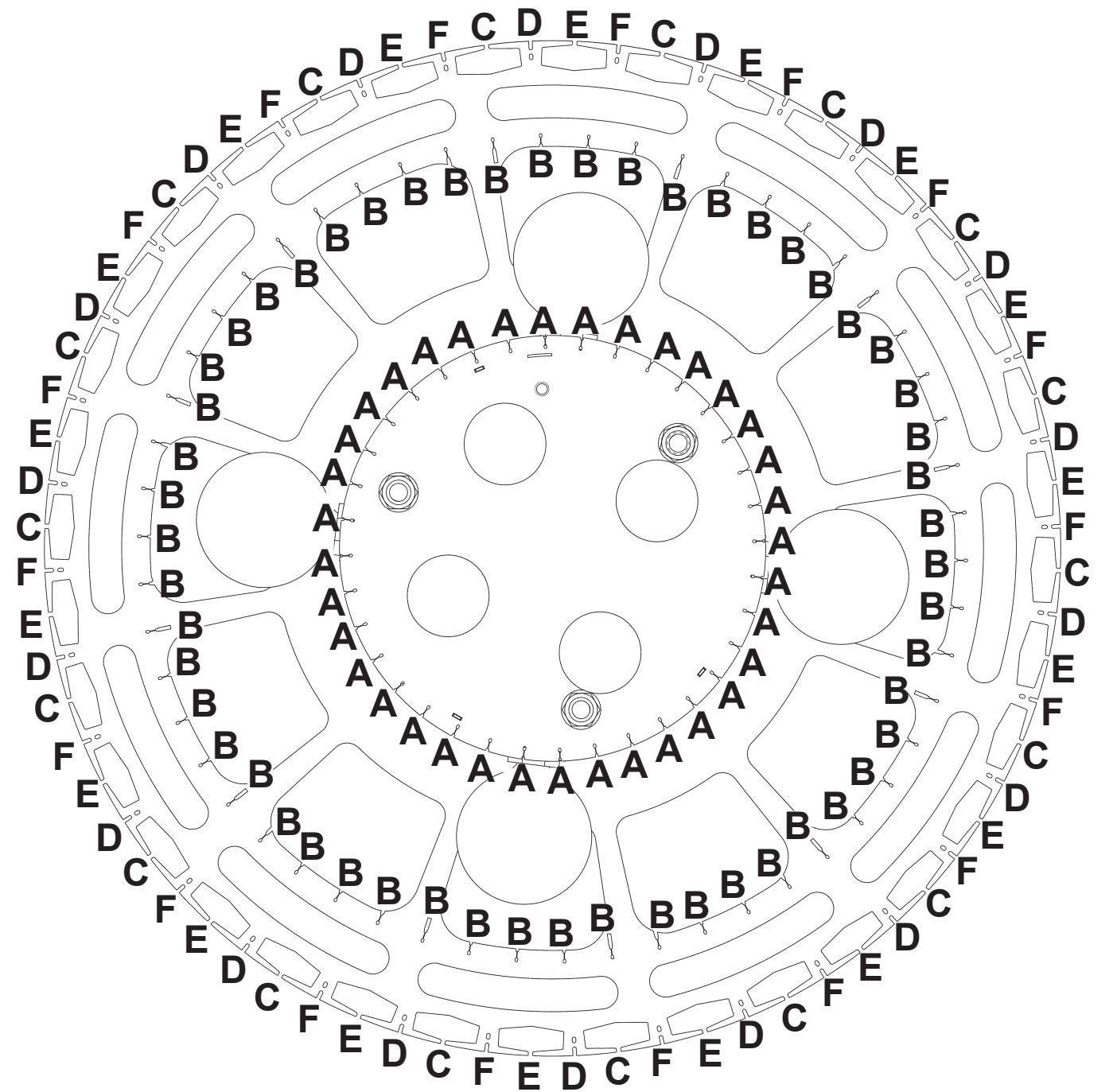
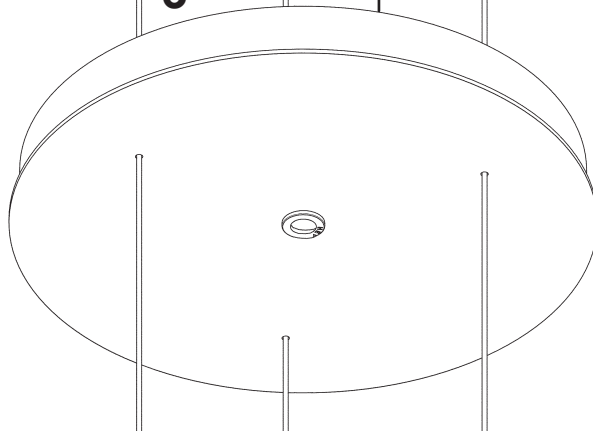
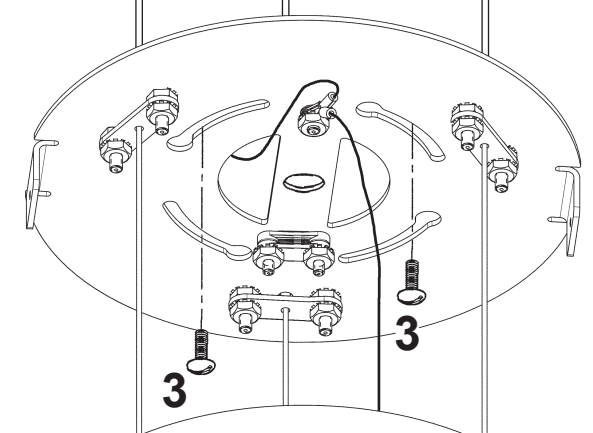
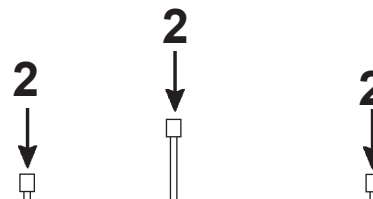
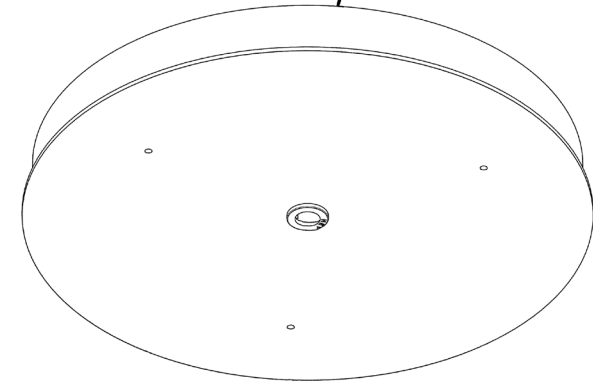
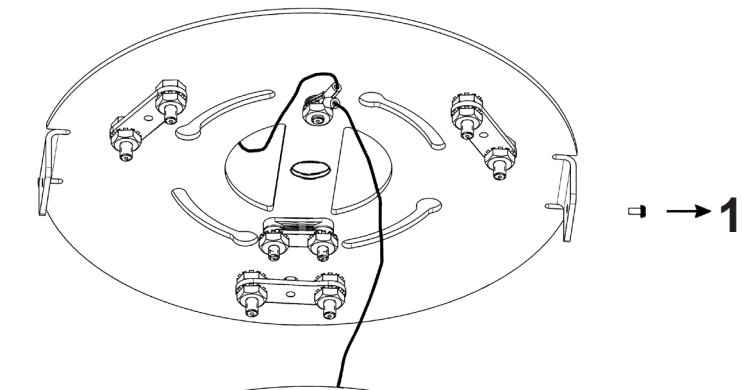
 **SCHONBEK** | 1870

			S					
MAX 40 W	110-120 V							

1 X  : 1746



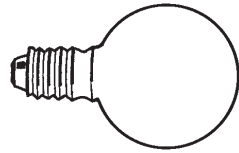
1



15	A
16	B
17	C
18	D
19	E
20	F

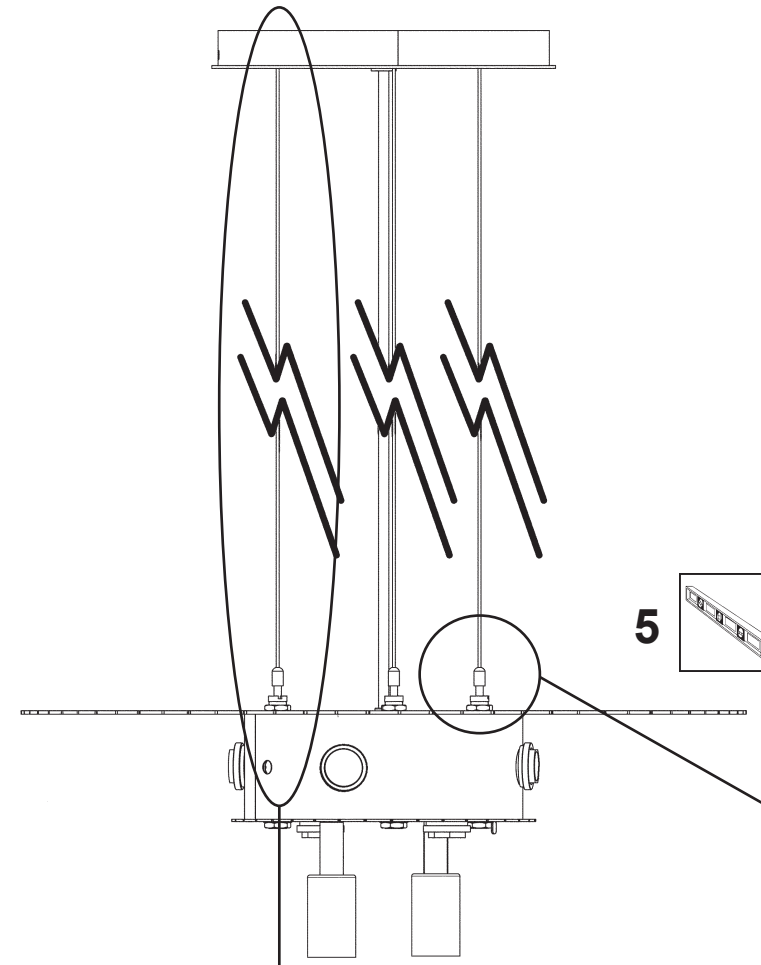
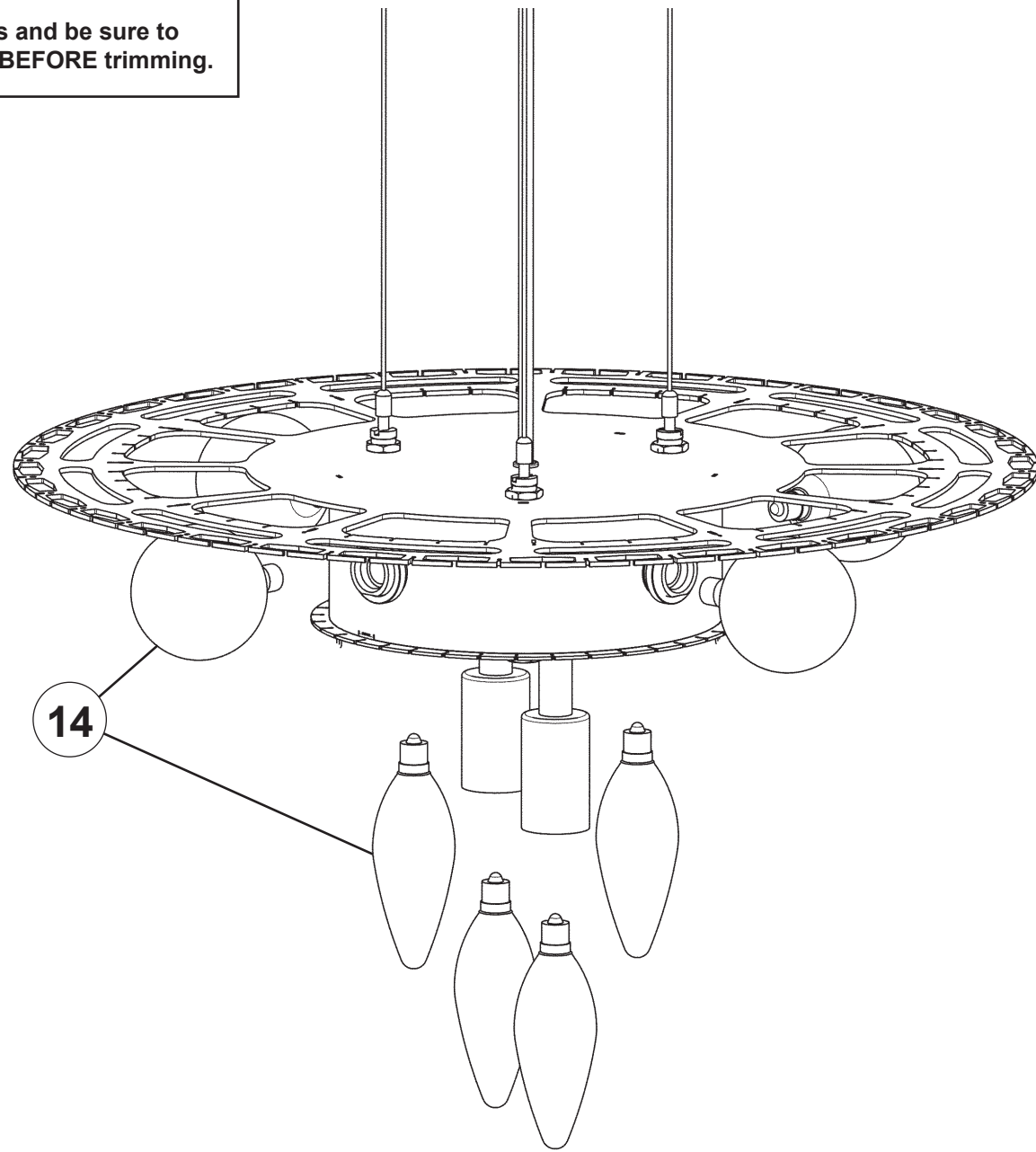


You will need 4 - B10 Bulbs
40 Watts Max

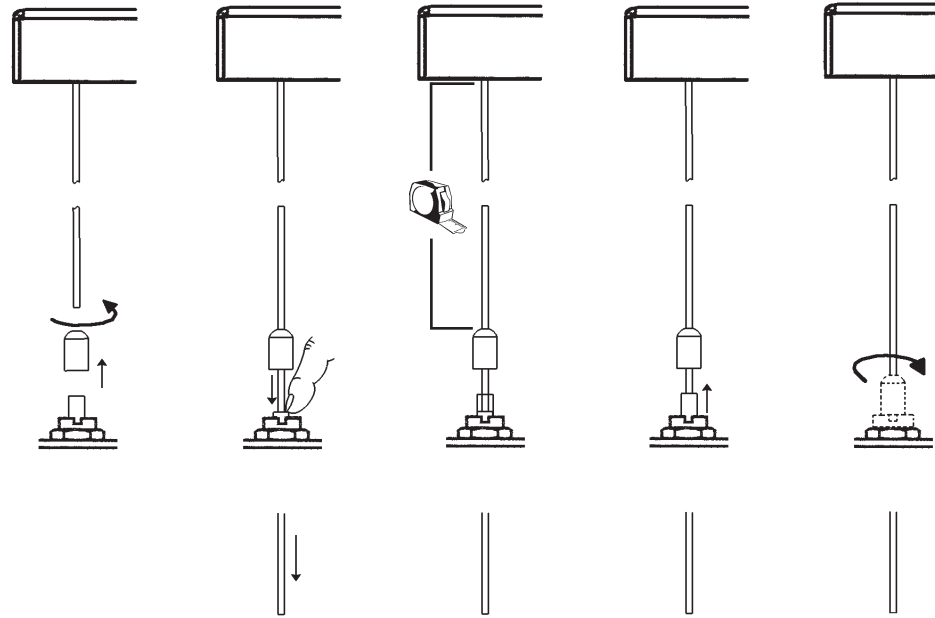


You will need 4 - G16-1/2 Bulbs
40 Watts Max

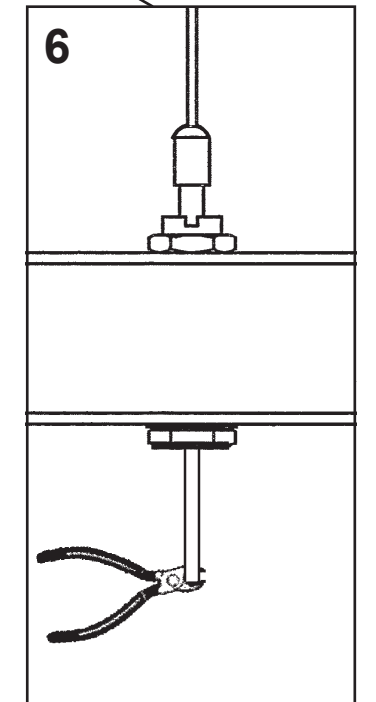
**Install bulbs and be sure to
test fixture BEFORE trimming.**

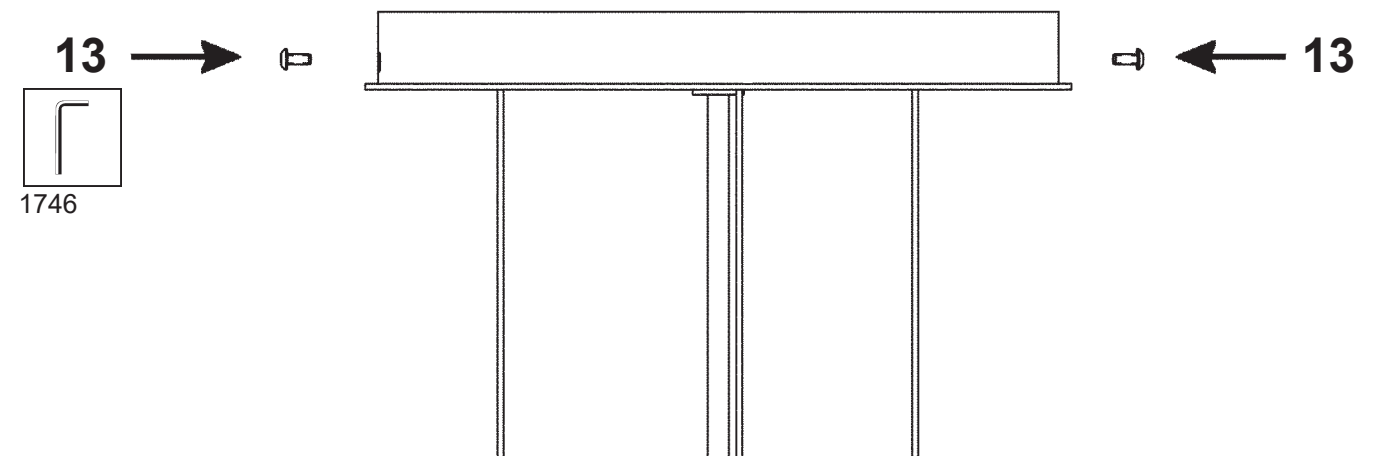
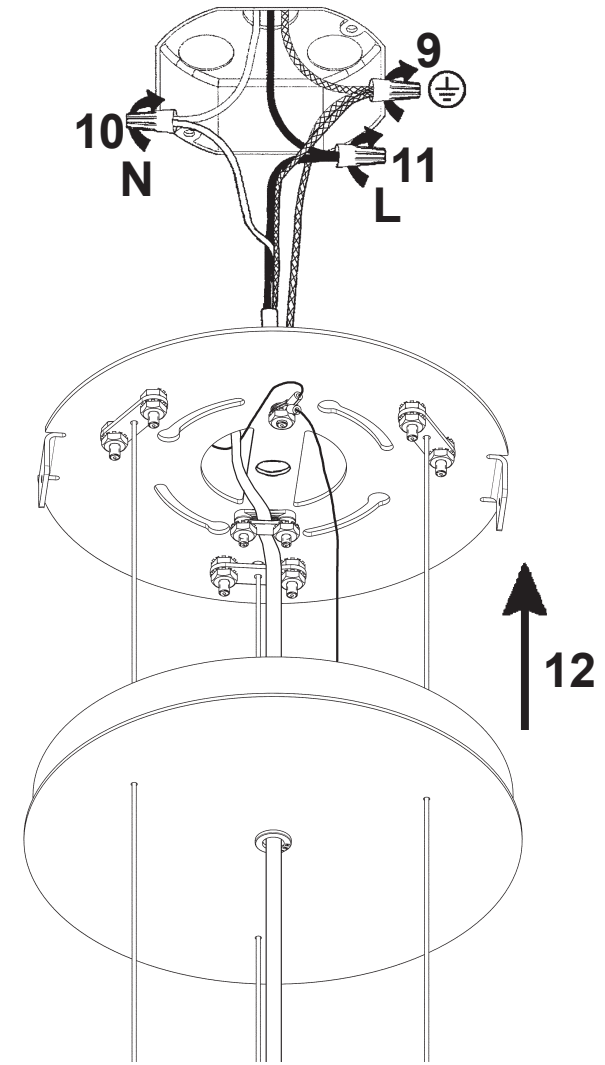
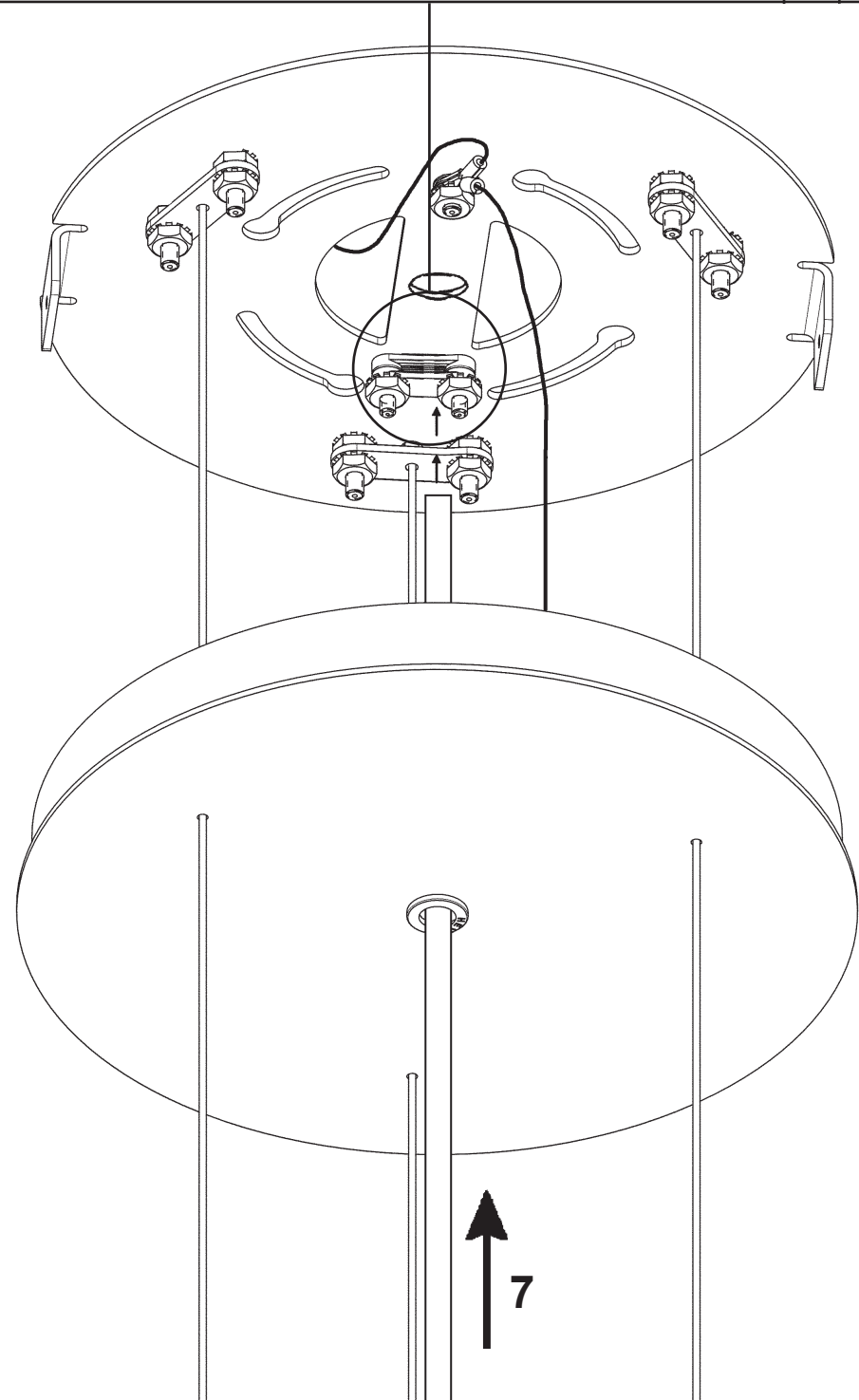
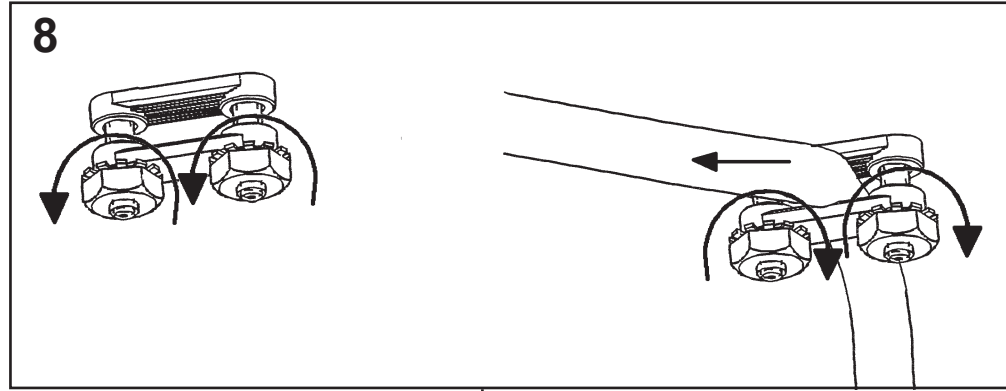


4



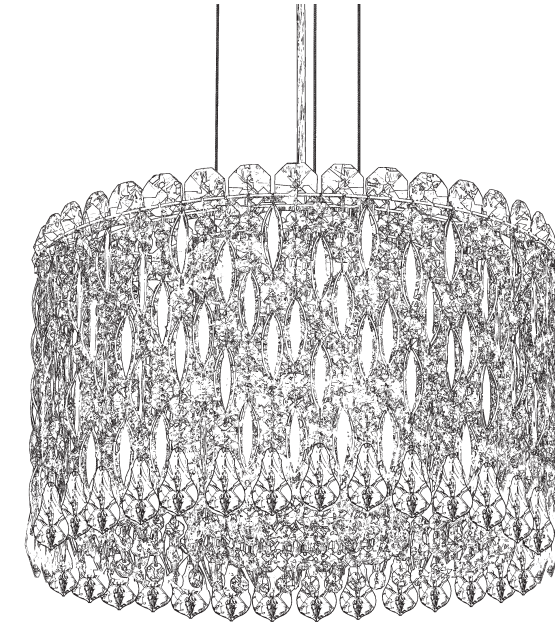
6





 **SCHONBEK** | 1870










SARELLA
RS8345N- __ __ S

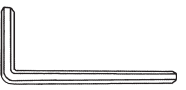


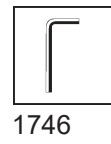
THIS DESIGN IS THE PROPRIETARY
TRADE DRESS/TRADEMARK OF
W SCHONBEK LLC.

8 Lights
Diameter: 15-1/2"
Height: 10"
Hanging Weight: 18lbs.

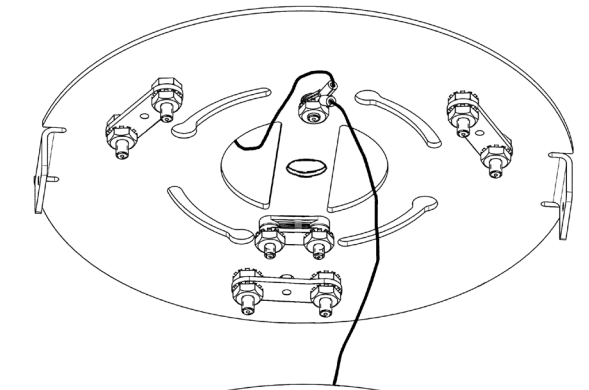
 **SCHONBEK** | 1870

			S					
MAX 40 W	110-120 V							

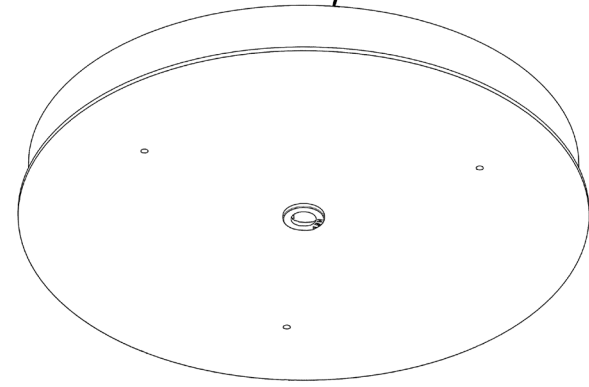
1 X  : 1746



1 ←



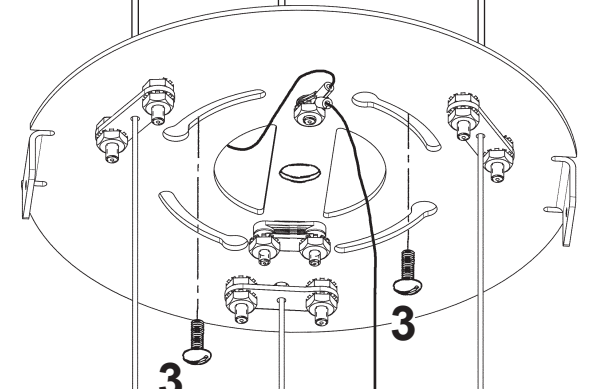
→ 1



2 ↓

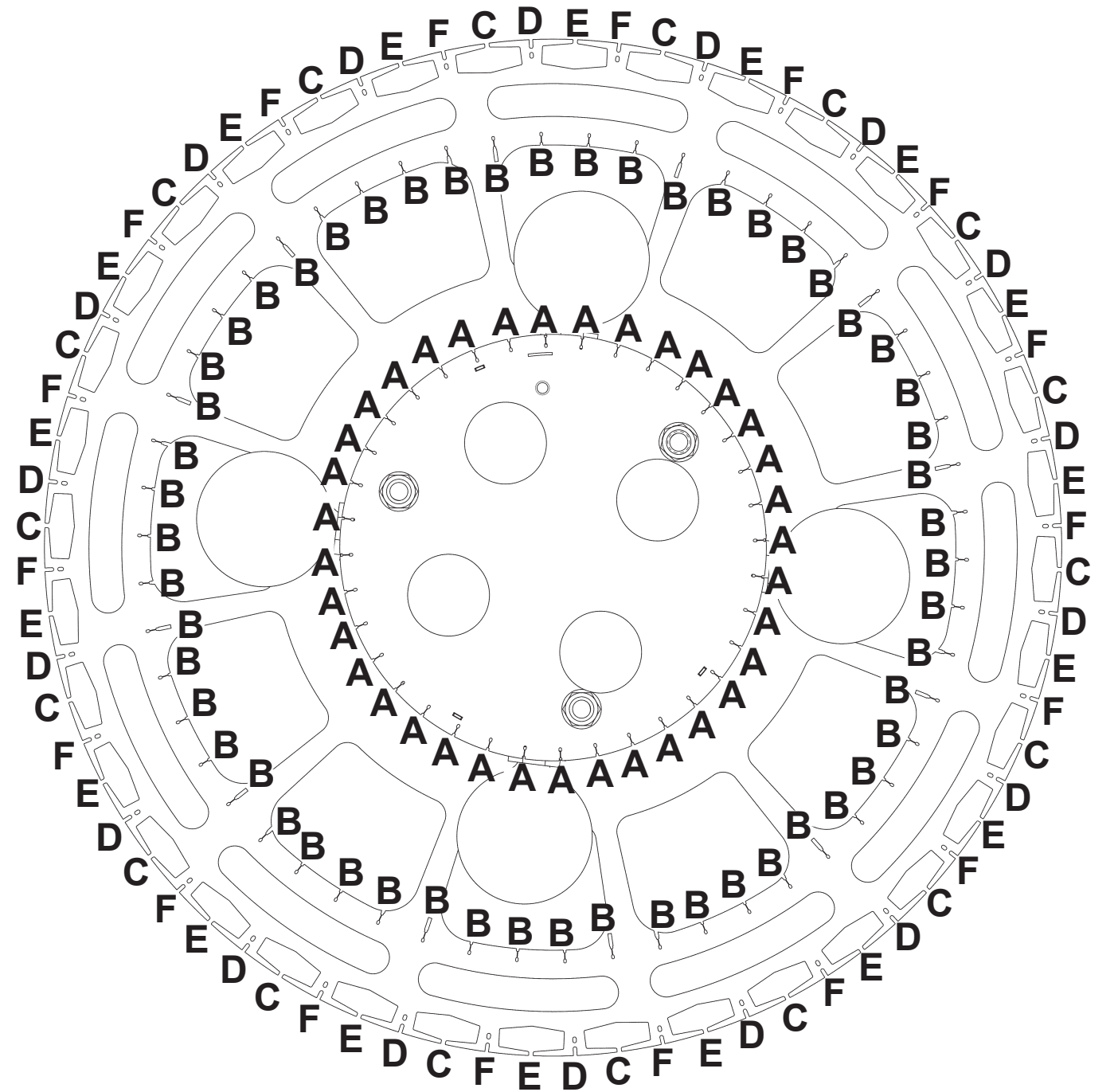
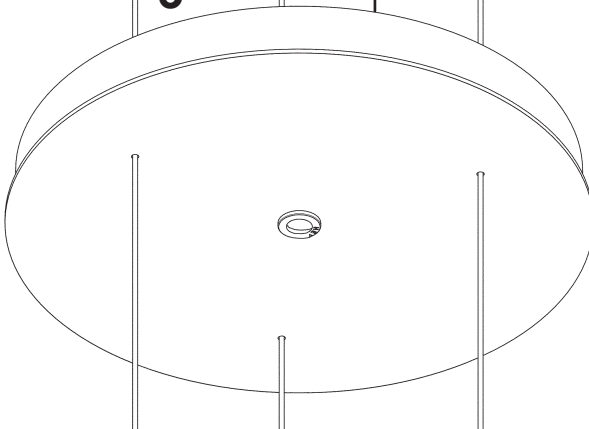
2 ↓

2 ↓



3 ↓

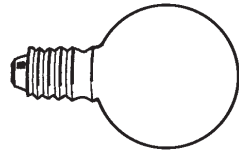
3 ↓



15	A
16	B
17	C
18	D
19	E
20	F



You will need 4 - B10 Bulbs
40 Watts Max



You will need 4 - G16-1/2 Bulbs
40 Watts Max

**Install bulbs and be sure to
test fixture BEFORE trimming.**

