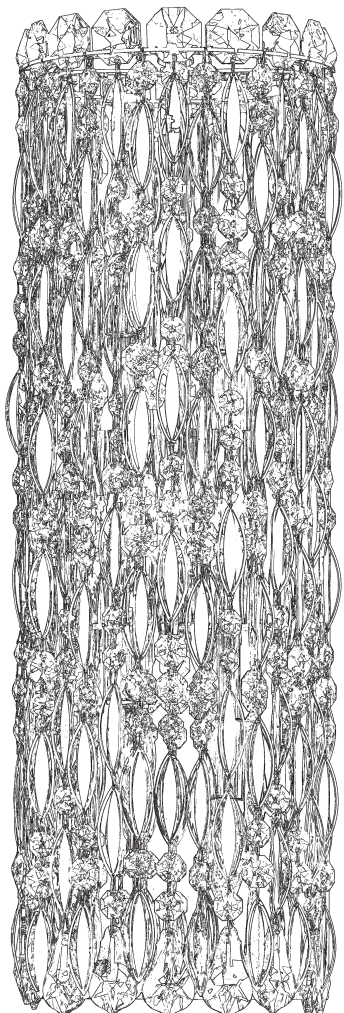


SARELLA RS8331N-\_\_ \_\_H













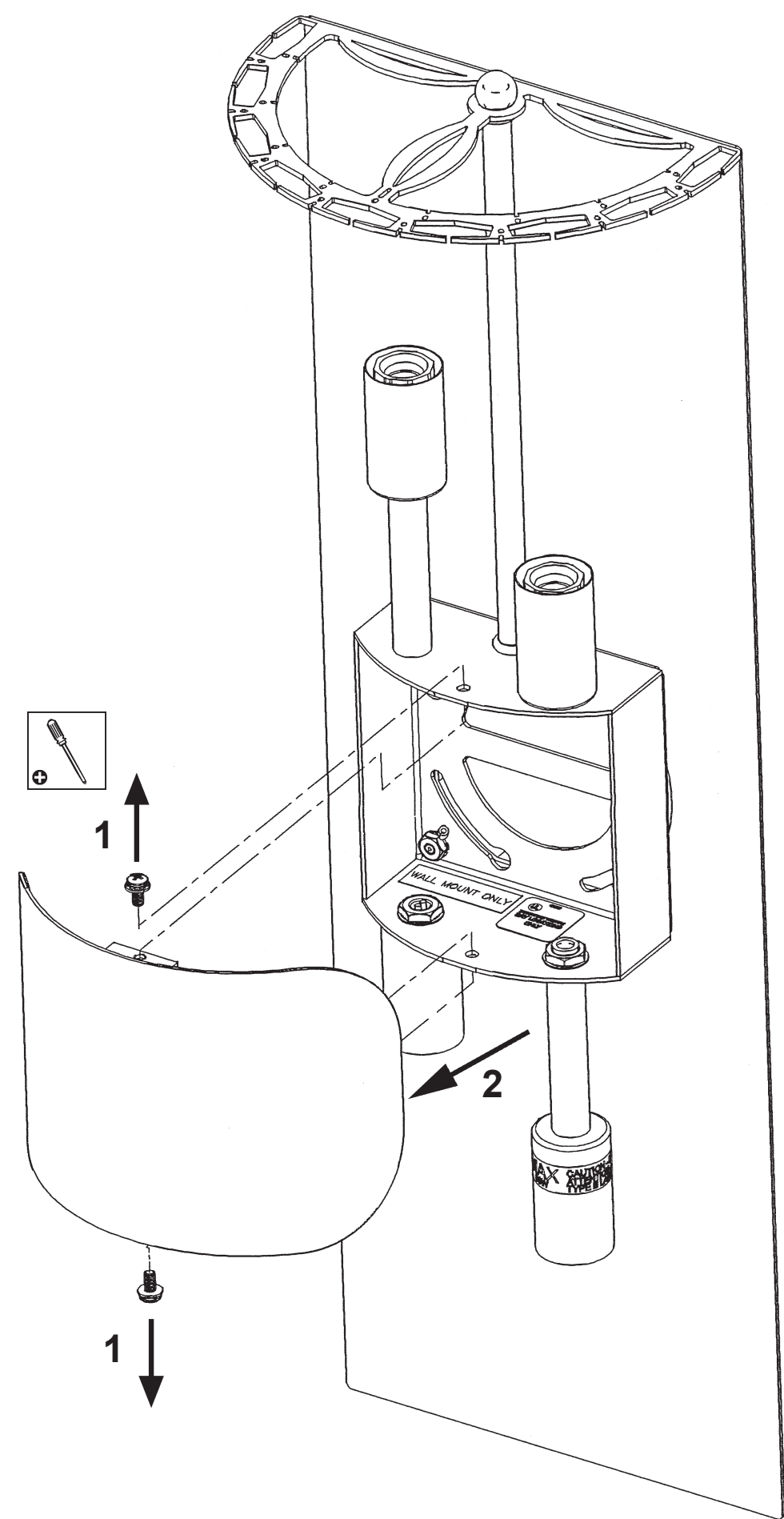
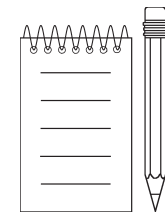
4 Lights  
Diameter: 7"  
Height: 22"  
Extension: 4"  
Hanging Weight: 6lbs.

THIS DESIGN IS THE PROPRIETARY TRADE DRESS/TRADemark OF W SCHONBEK LLC.

 **SCHONBEK** | 1870

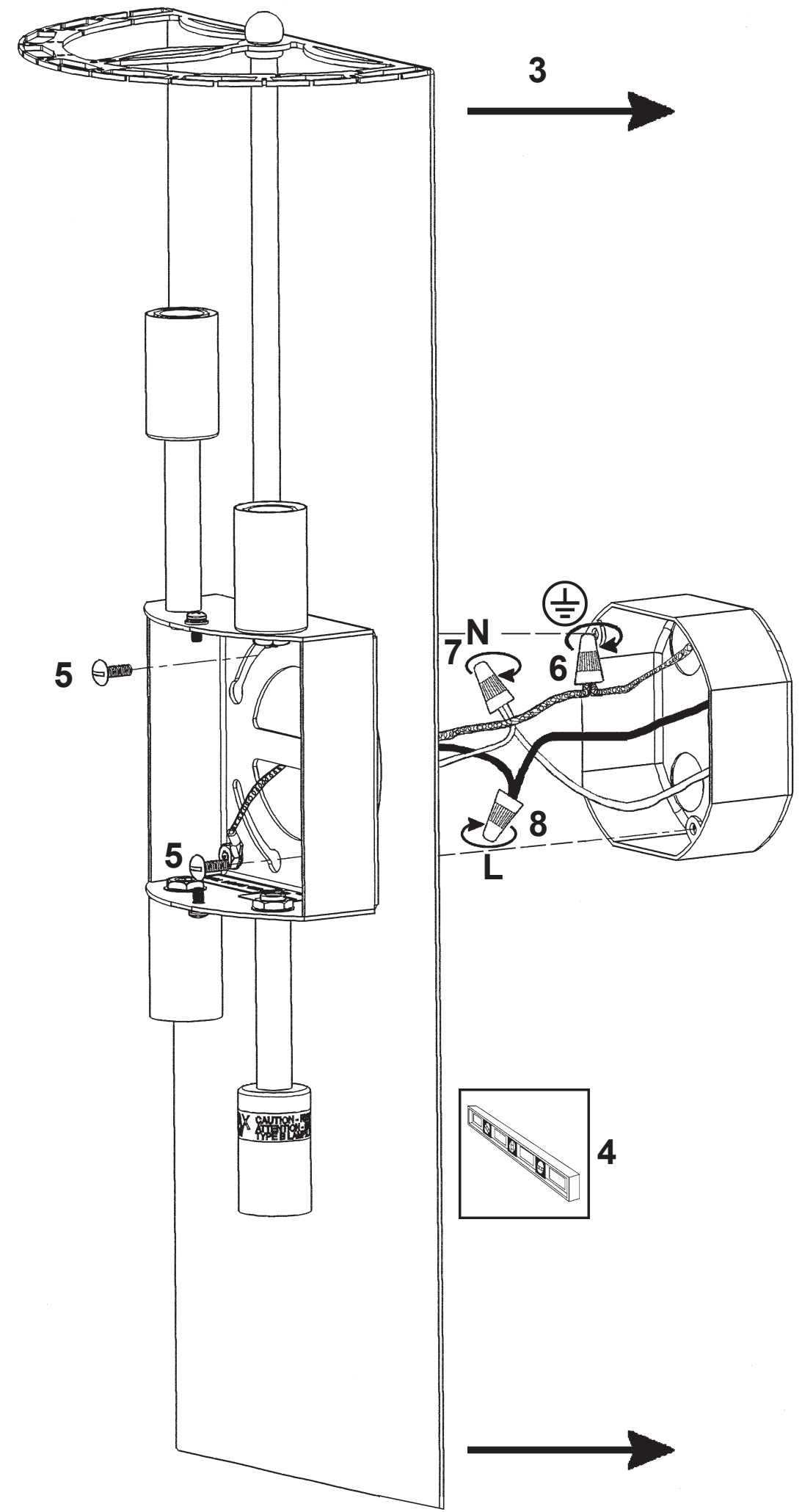
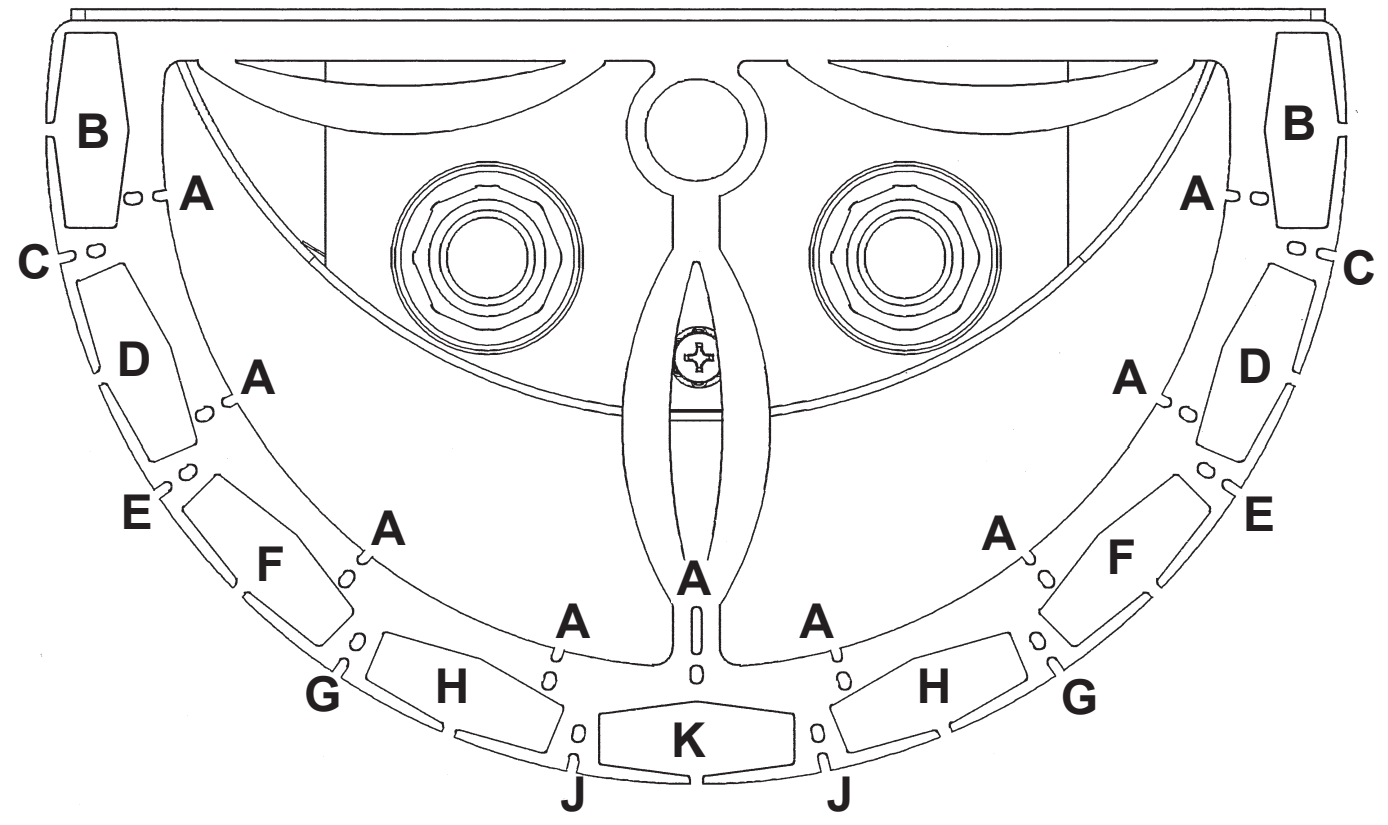
 **SCHONBEK** | 1870

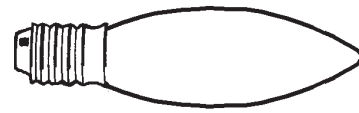
								
MAX <u>60</u> W		110-120 V						



12

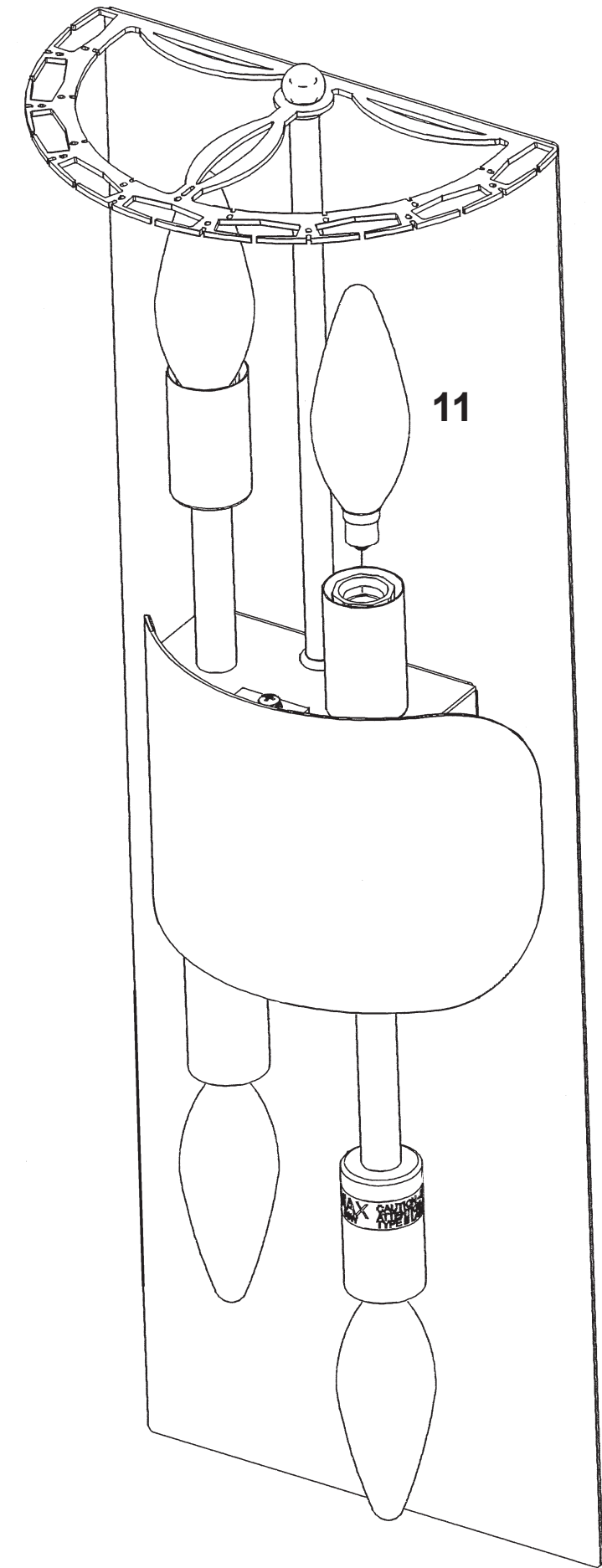
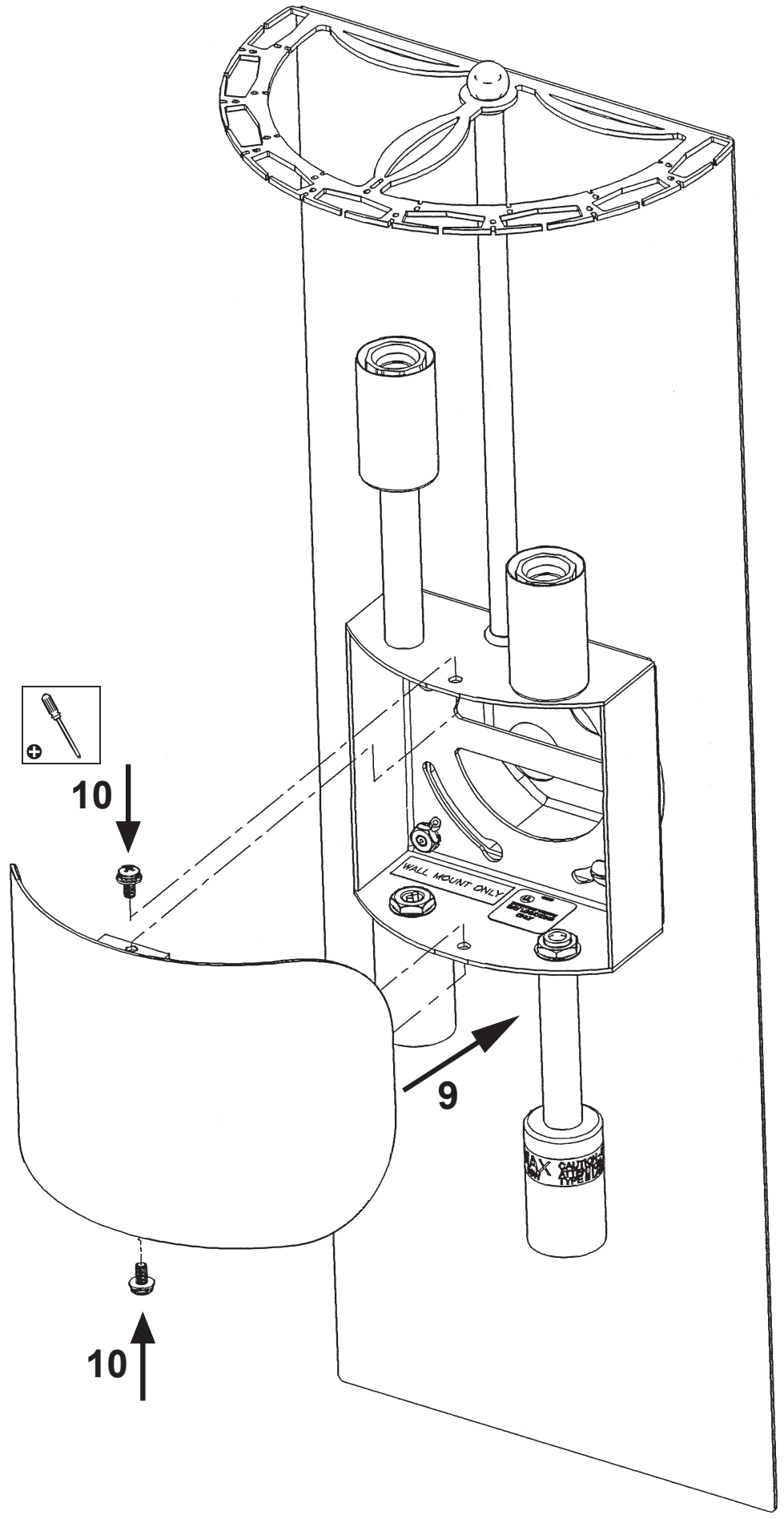
**TRIM PLATE - TOP VIEW**



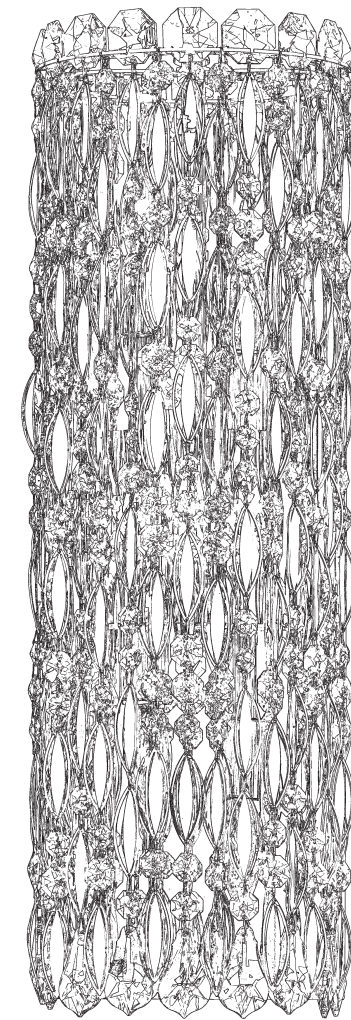


You will need 4 - B10  
25 Watts Recommended  
60 Watts Max

**Install bulbs and be sure  
to test fixture BEFORE  
trimming.**



# SARELLA RS8331N-\_\_ \_\_R













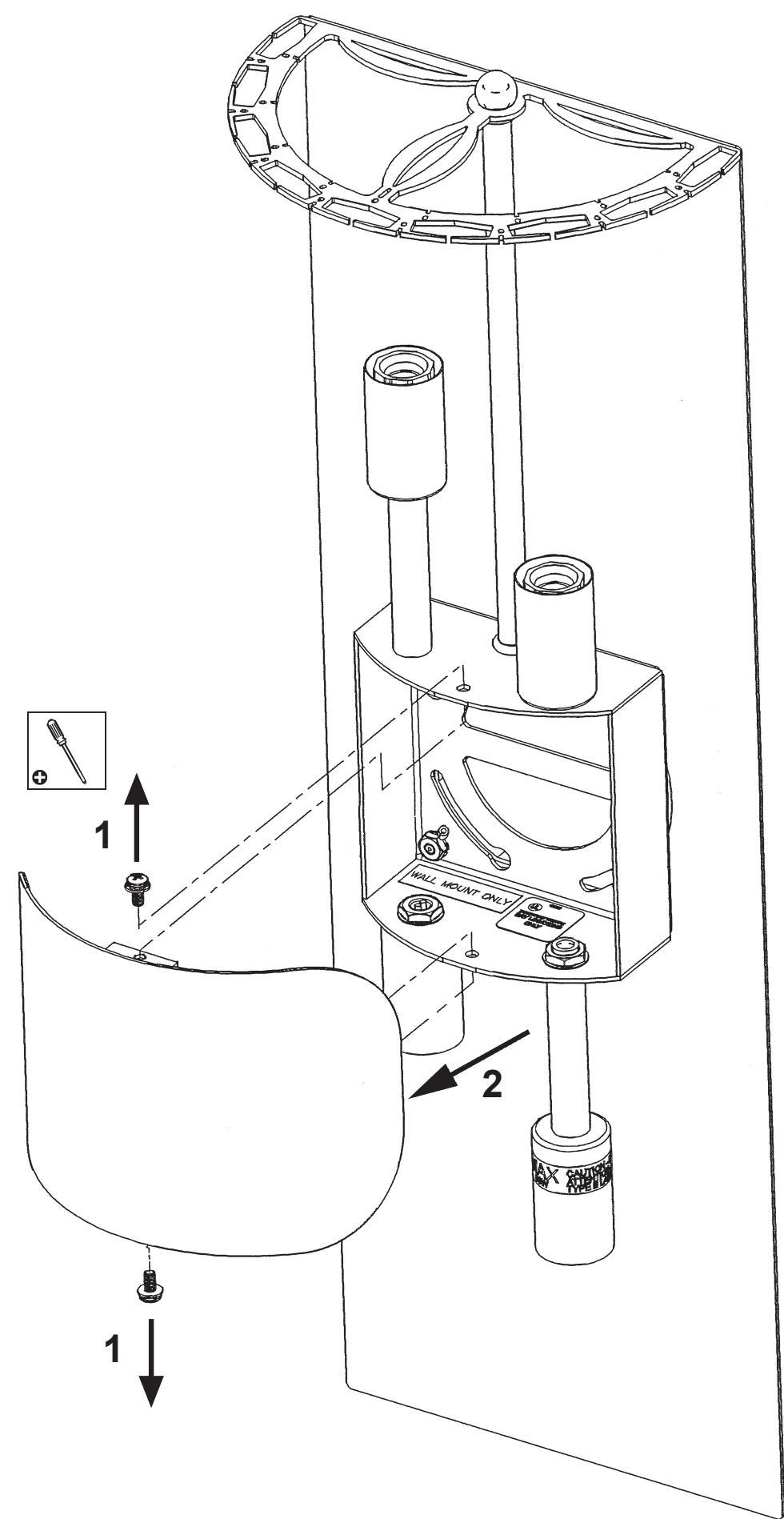
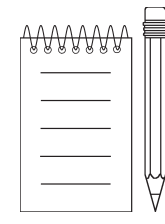
4 Lights  
Diameter: 7"  
Height: 22"  
Extension: 4"  
Hanging Weight: 6lbs.

**T**HIS DESIGN IS THE PROPRIETARY  
TRADE DRESS/TRADemark OF  
W SCHONBEK LLC.

 **SCHONBEK** | 1870

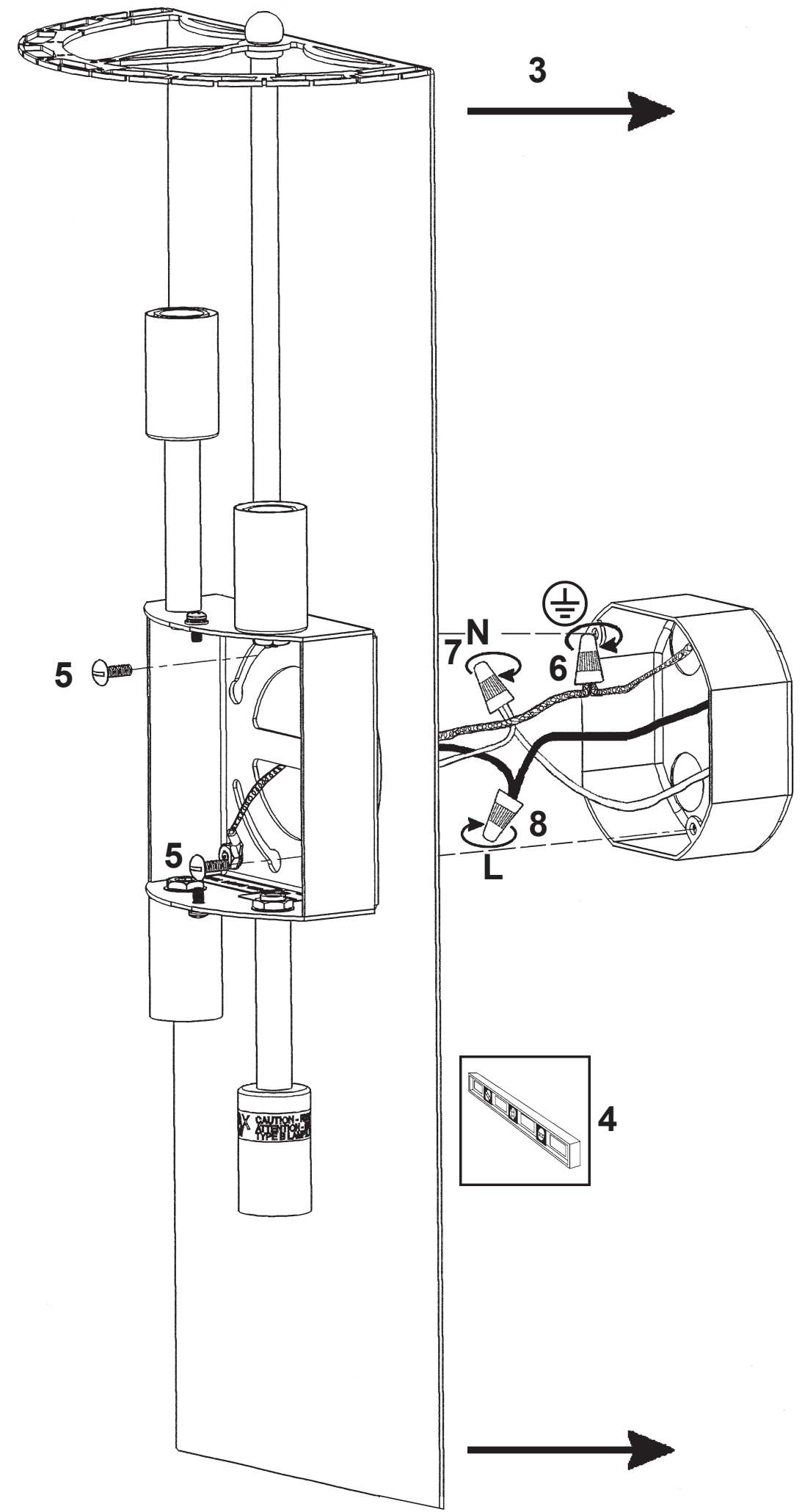
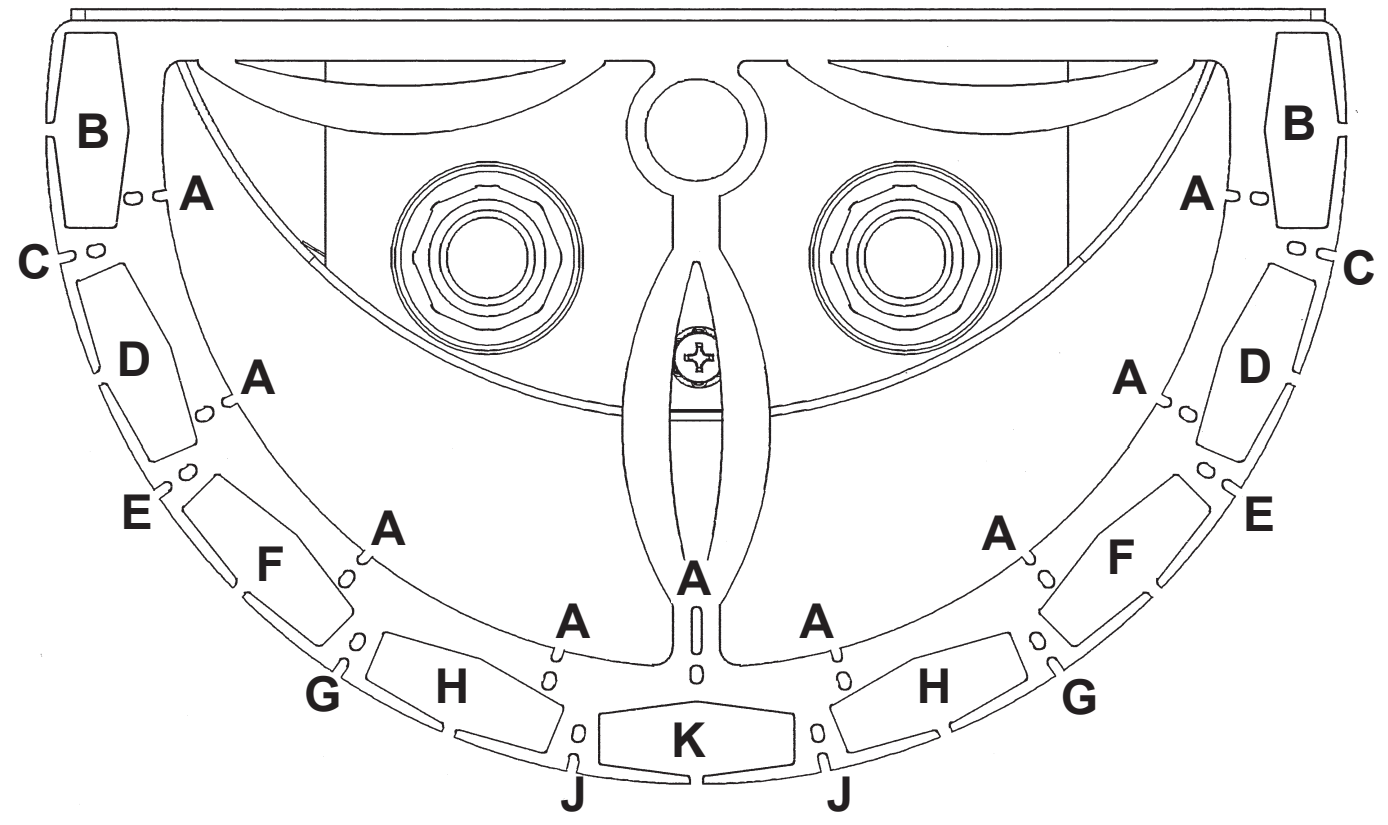
 **SCHONBEK** | 1870

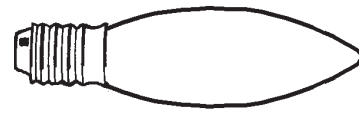
								
MAX <u>60</u> W	110-120 V							



12

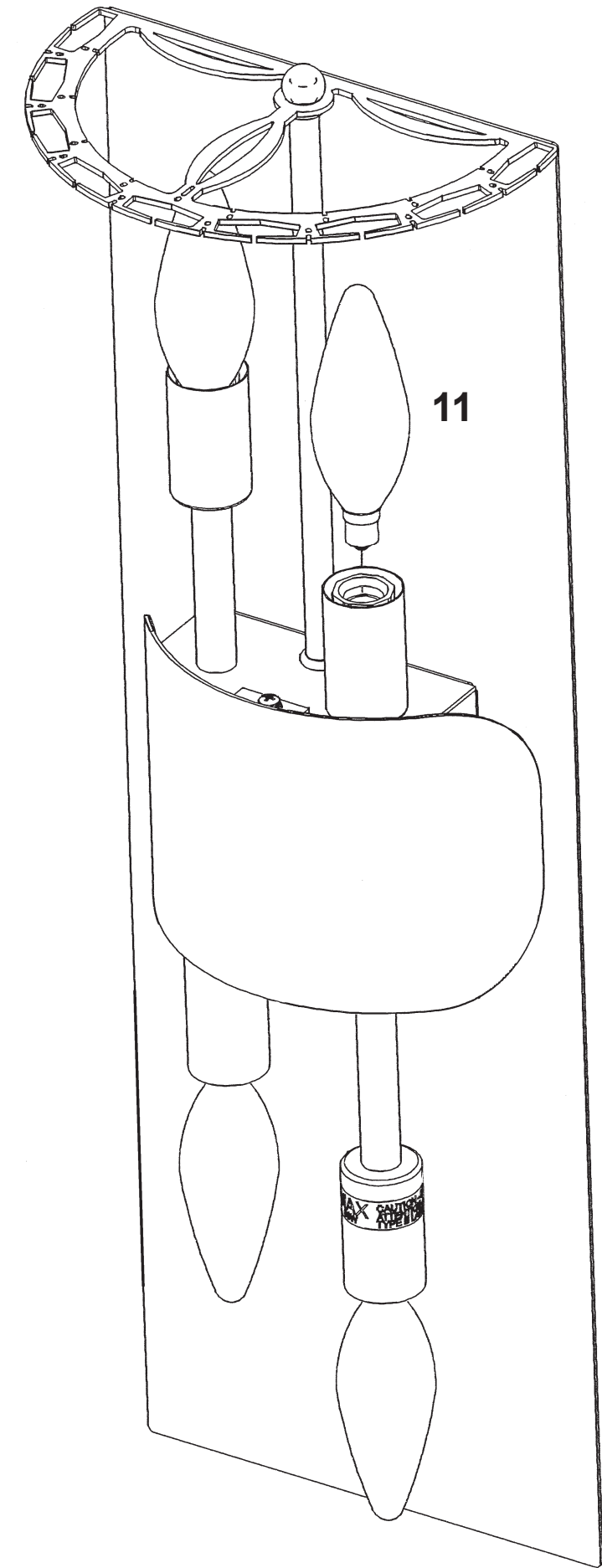
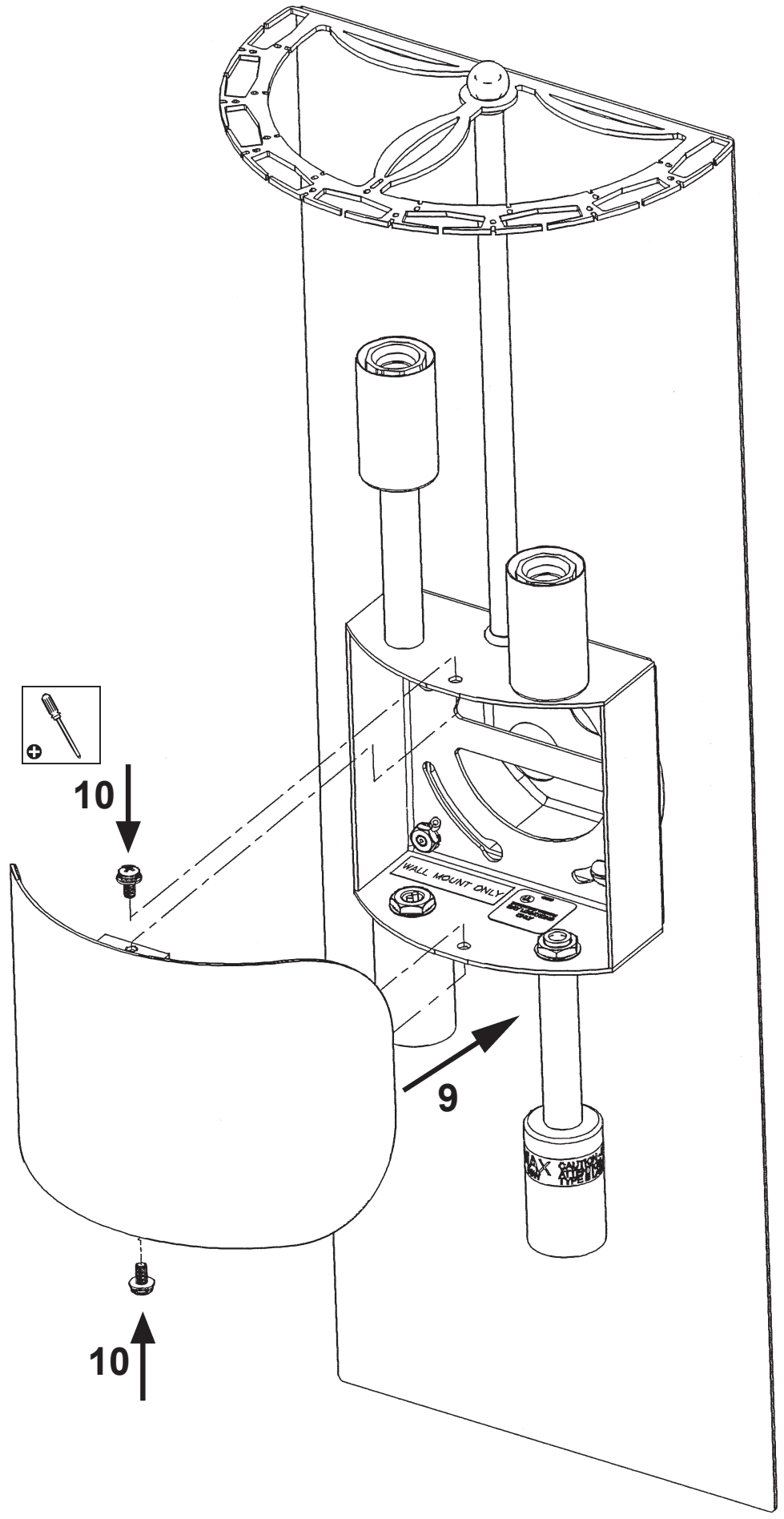
**TRIM PLATE - TOP VIEW**





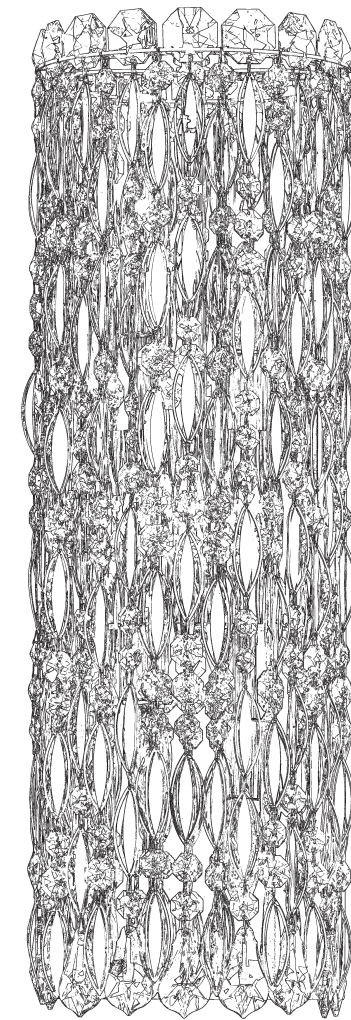
You will need 4 - B10  
25 Watts Recommended  
60 Watts Max

**Install bulbs and be sure  
to test fixture BEFORE  
trimming.**





# SARELLA RS8331N-\_\_ \_\_S













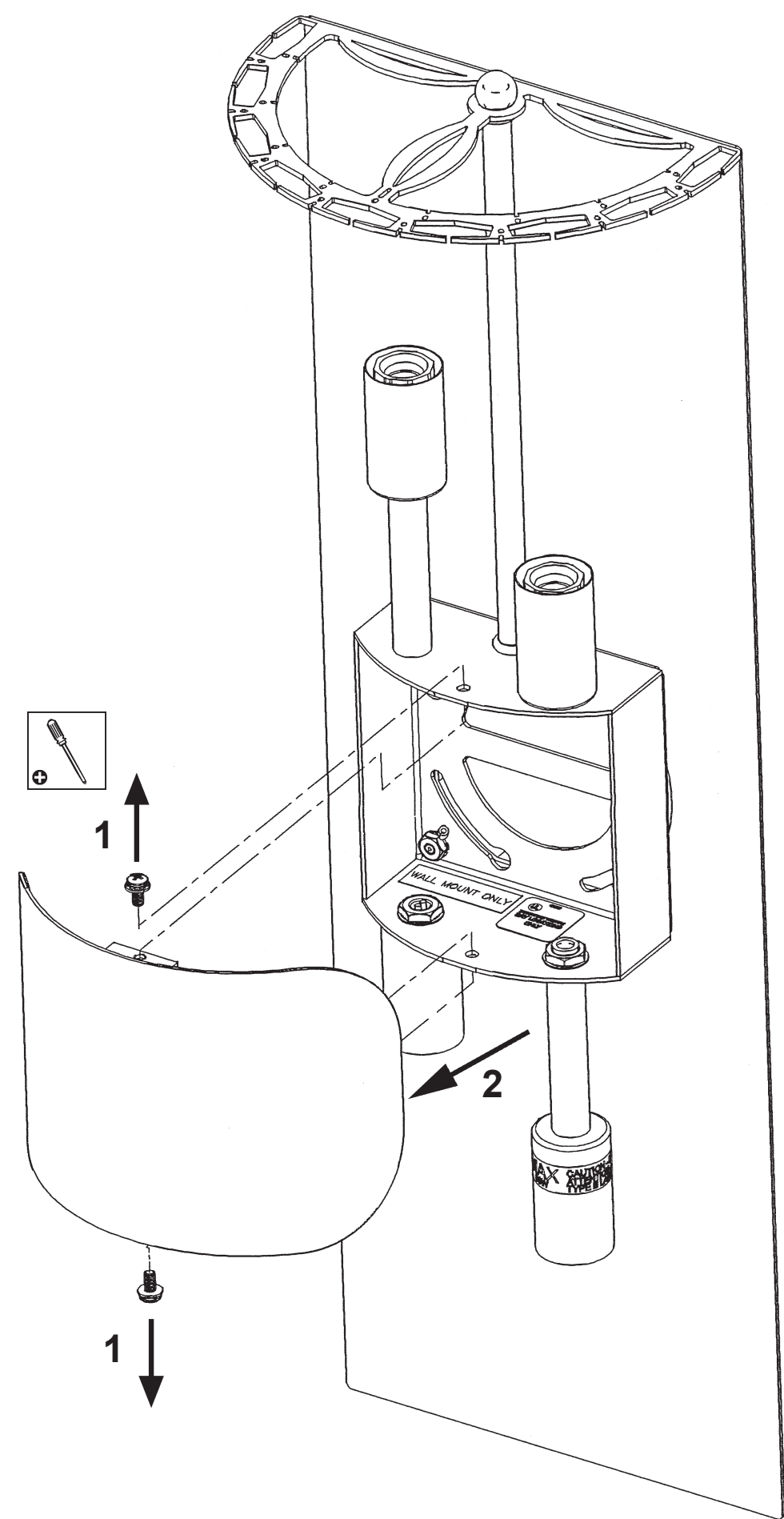
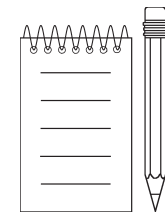
4 Lights  
Diameter: 7"  
Height: 22"  
Extension: 4"  
Hanging Weight: 6lbs.

**T**HIS DESIGN IS THE PROPRIETARY  
TRADE DRESS/TRADEMARK OF  
W SCHONBEK LLC.

 **SCHONBEK** | 1870

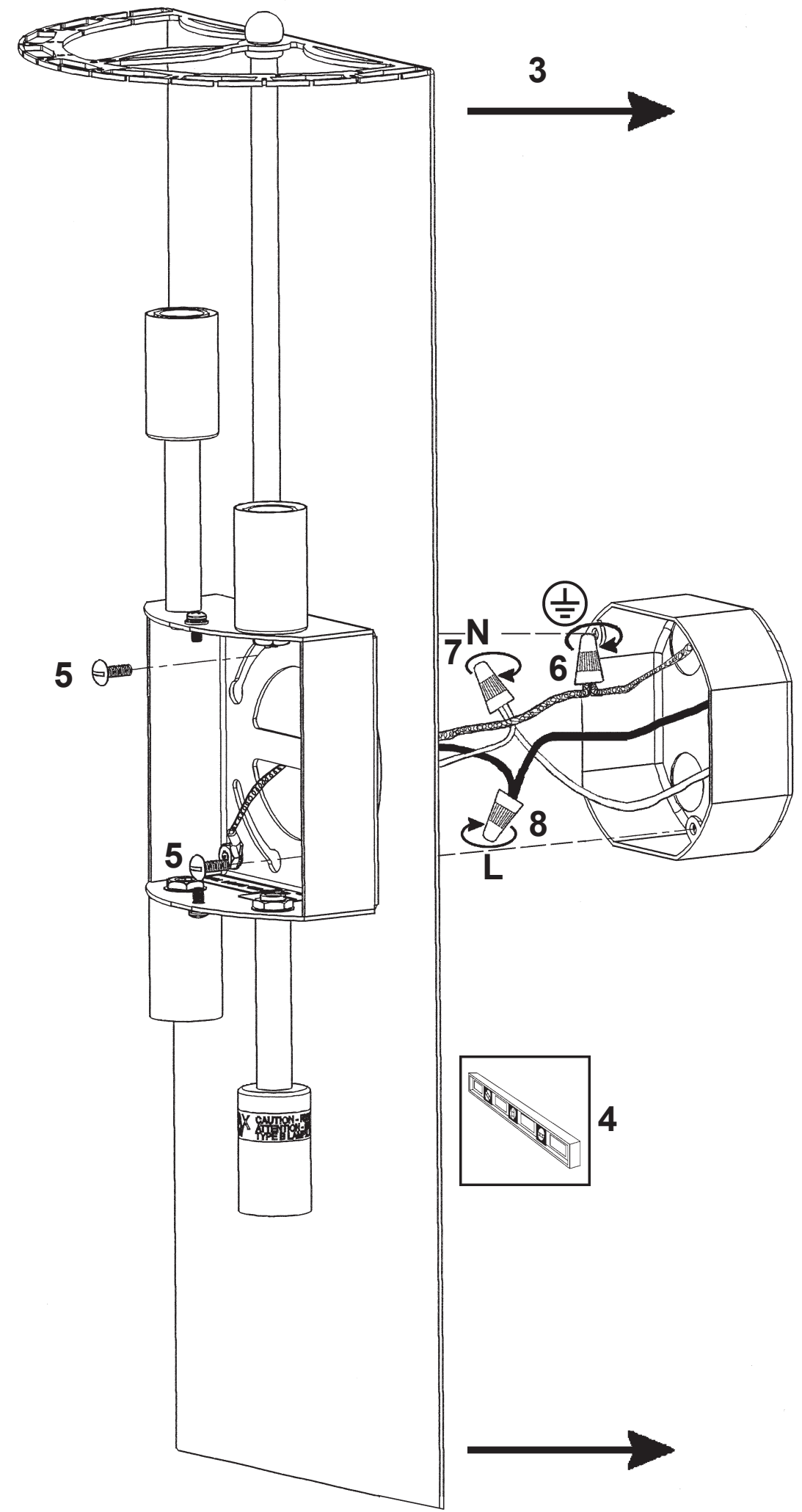
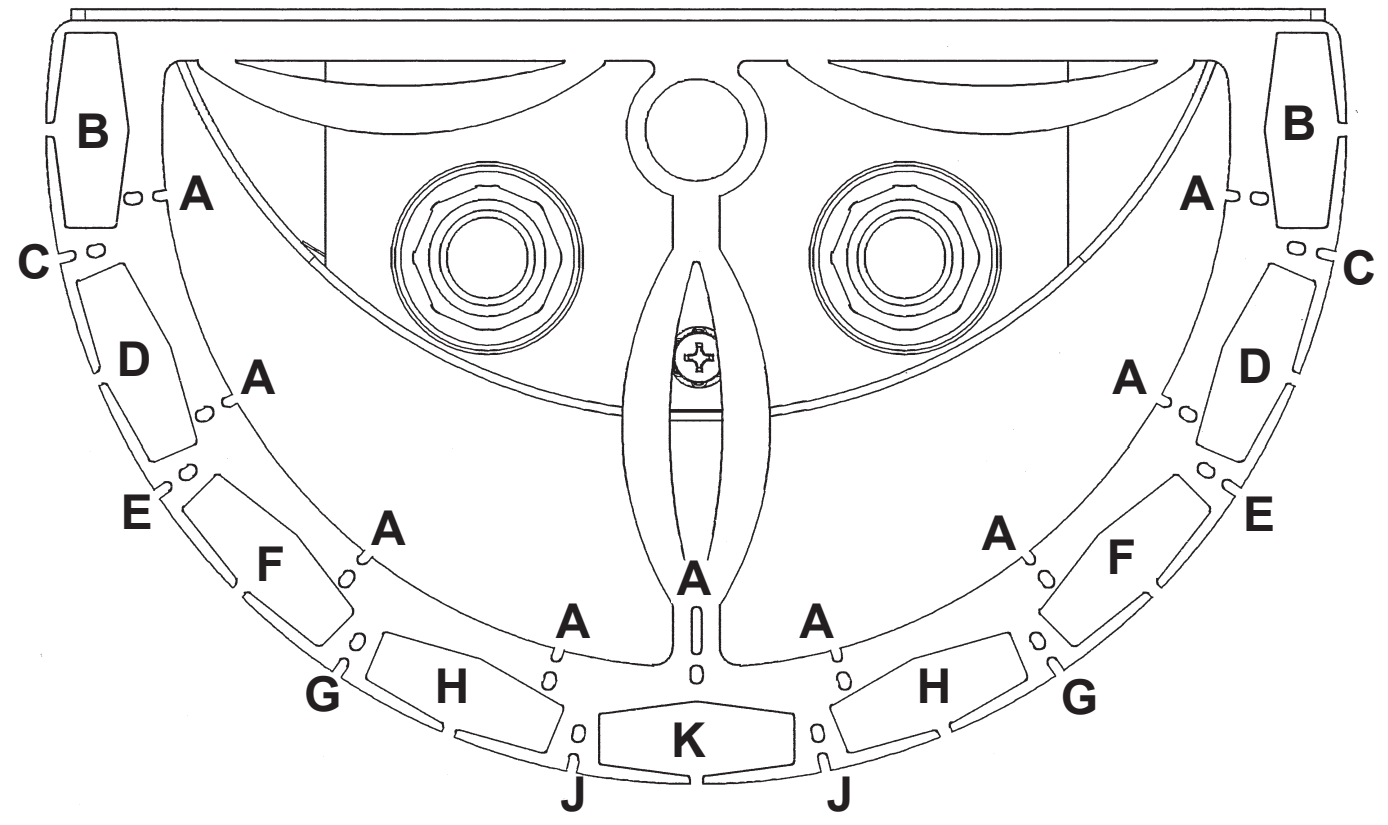
 **SCHONBEK** | 1870

								
MAX <u>60</u> W	110-120 V							



12

**TRIM PLATE - TOP VIEW**





You will need 4 - B10  
25 Watts Recommended  
60 Watts Max

**Install bulbs and be sure  
to test fixture BEFORE  
trimming.**

