

 **SCHONBEK** | 1870










**SARELLA**  
**RS8310N- \_\_ \_\_ H**



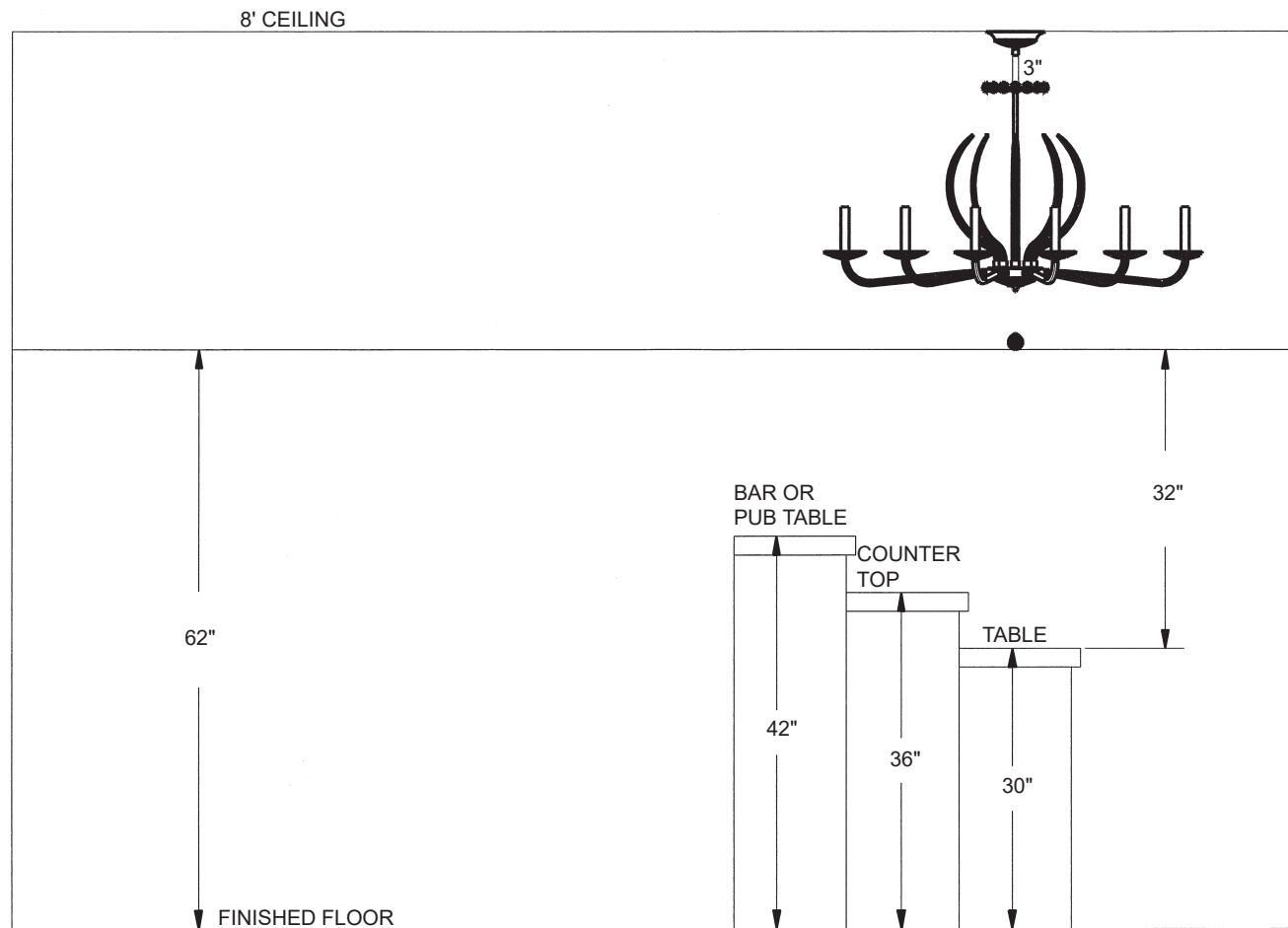
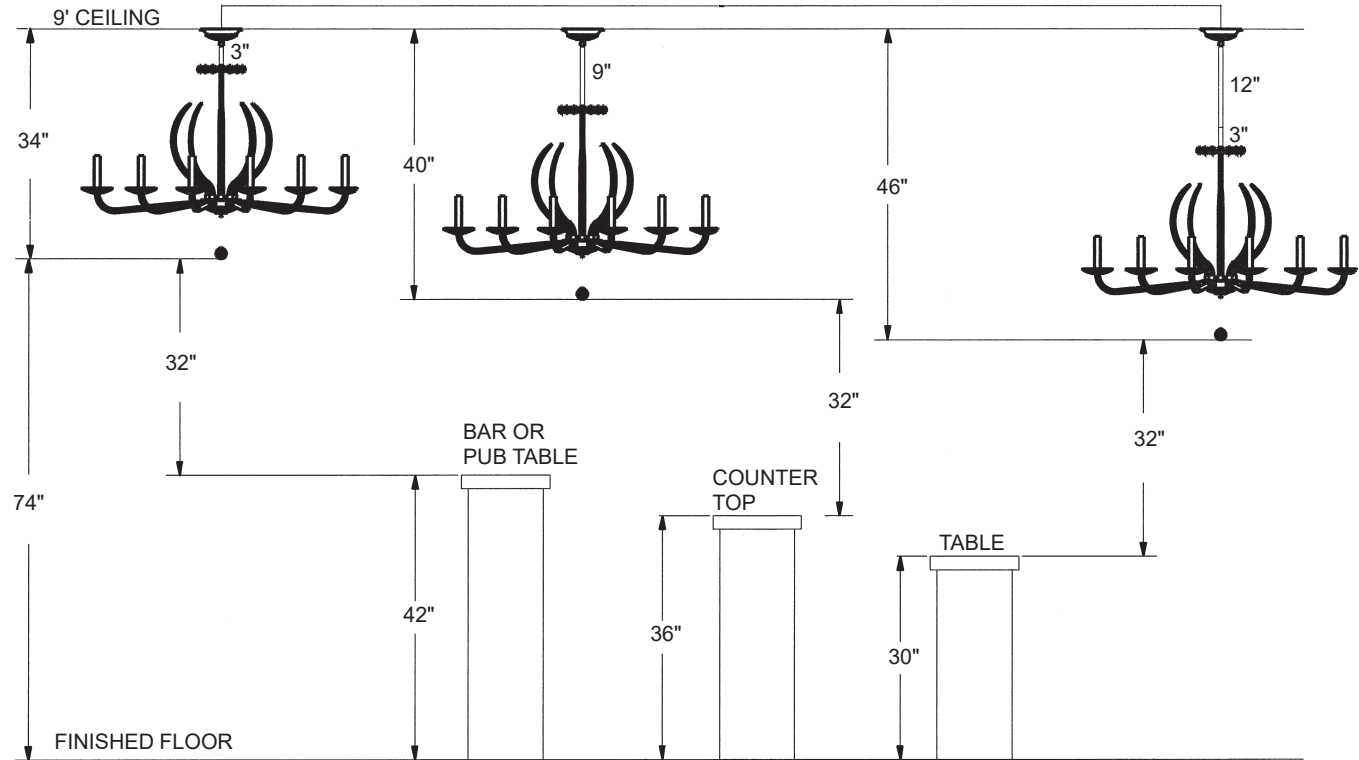
**T**HIS DESIGN IS THE PROPRIETARY  
TRADE DRESS/TRADEMARK OF  
W SCHONBEK LLC.

10 Lights  
Length: 40-1/2"  
Width: 24-1/2"  
Height: 30"  
Hanging Weight: 28lbs.

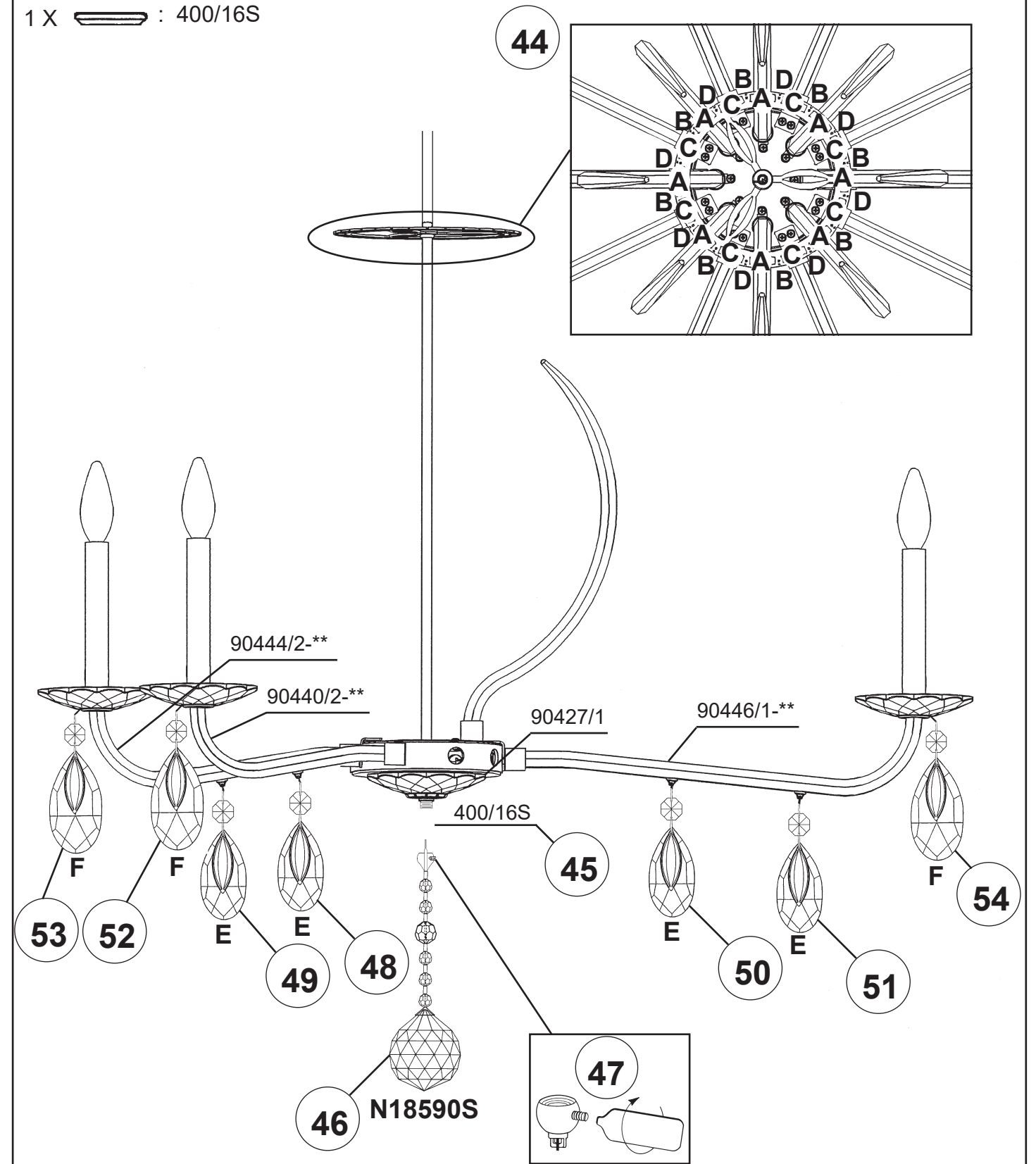
 **SCHONBEK** | 1870

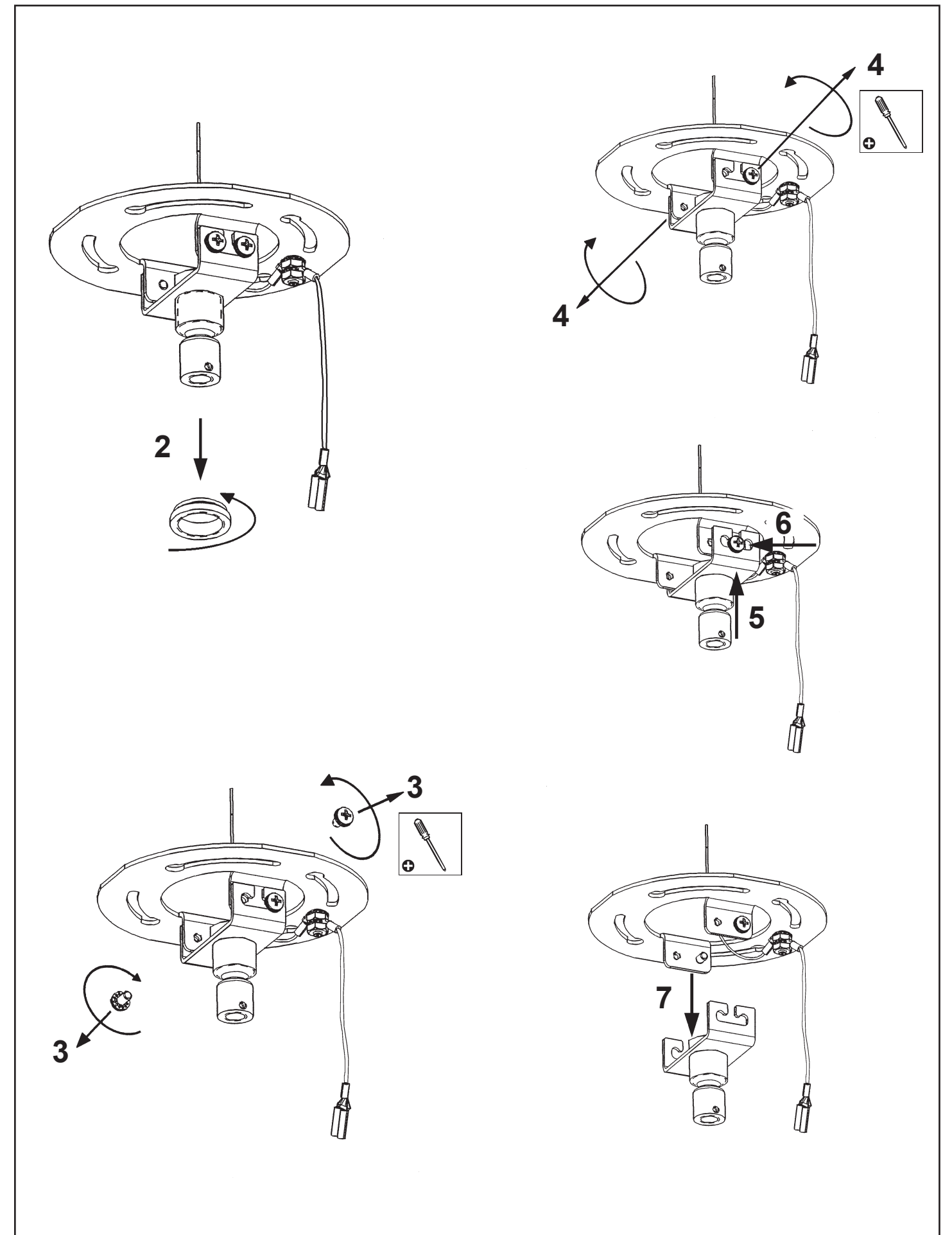
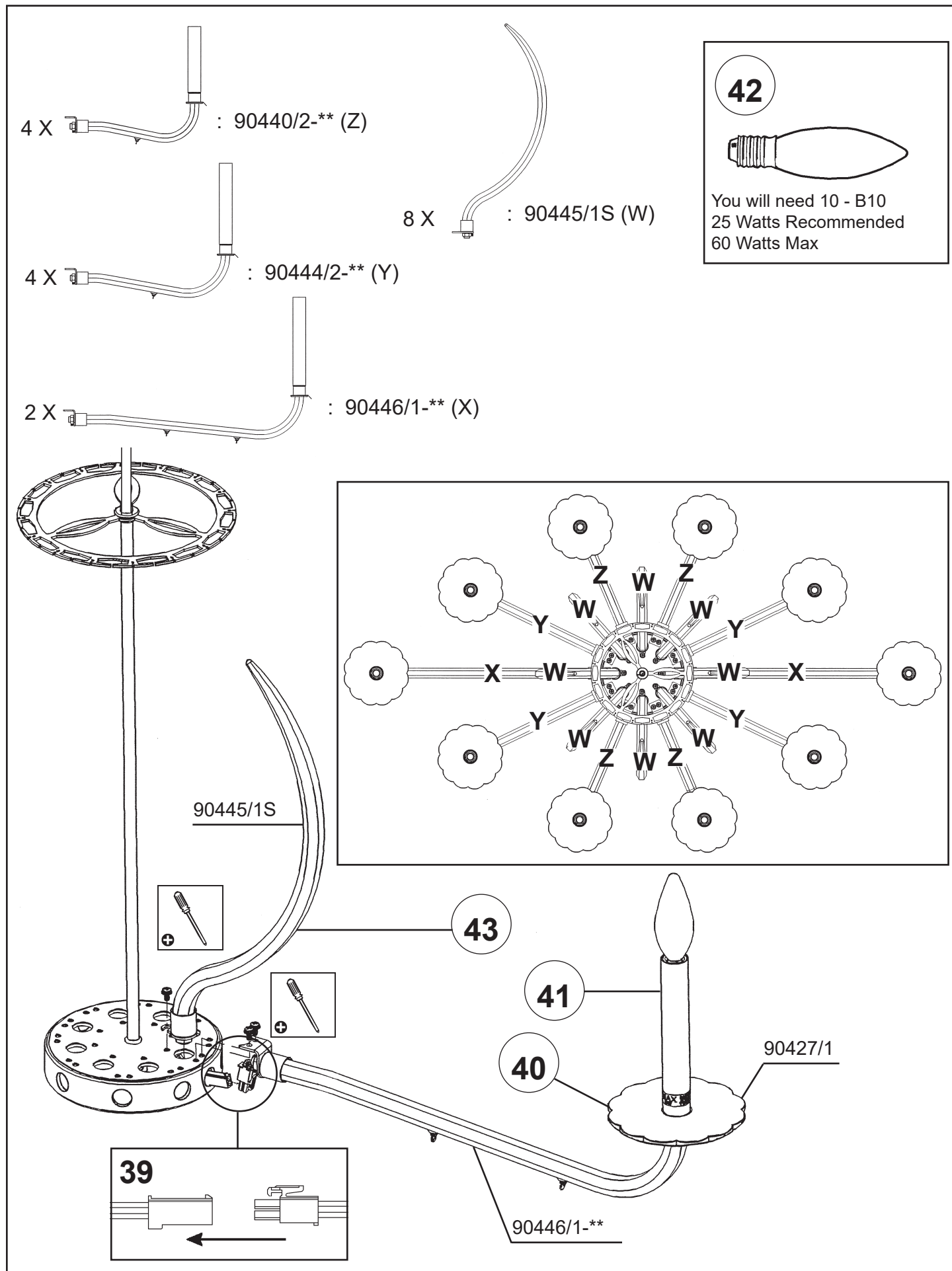
			<b>S</b>					
MAX <b>60</b> W	110-120 V							

1

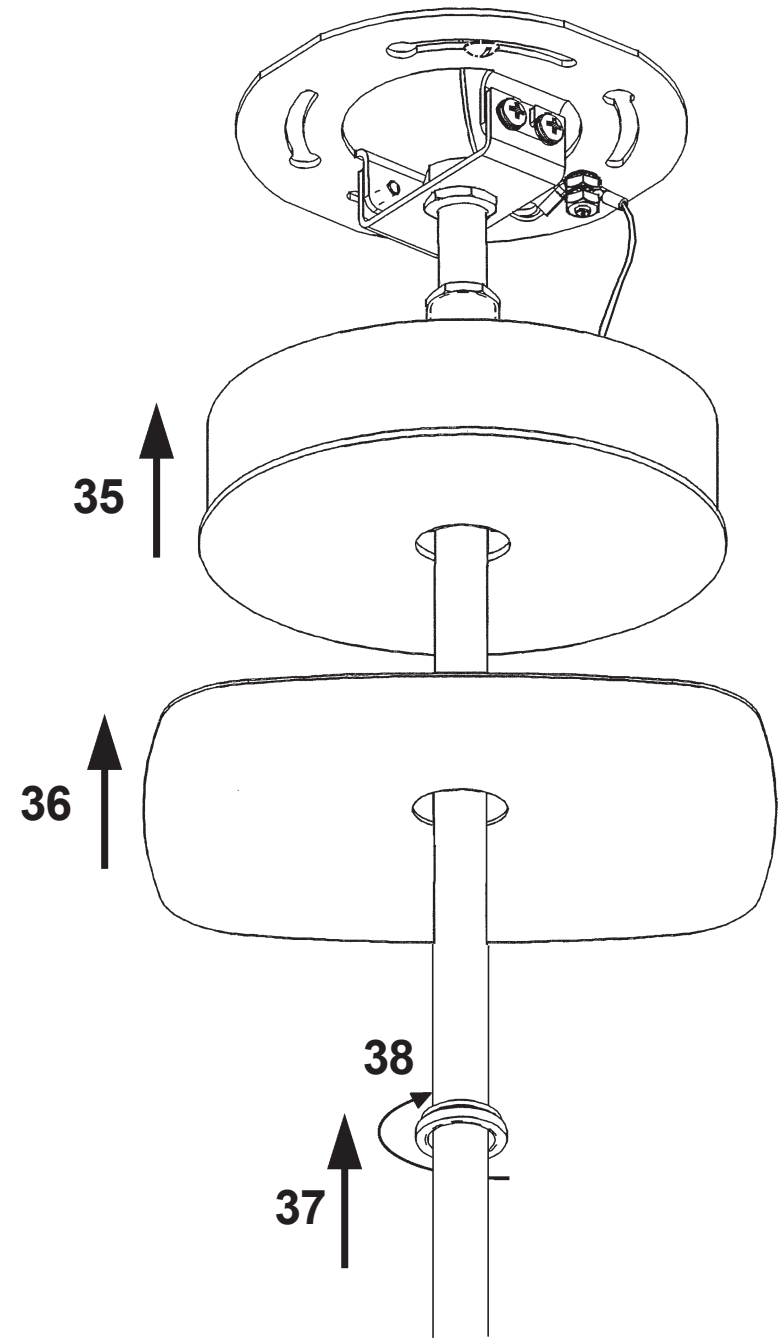
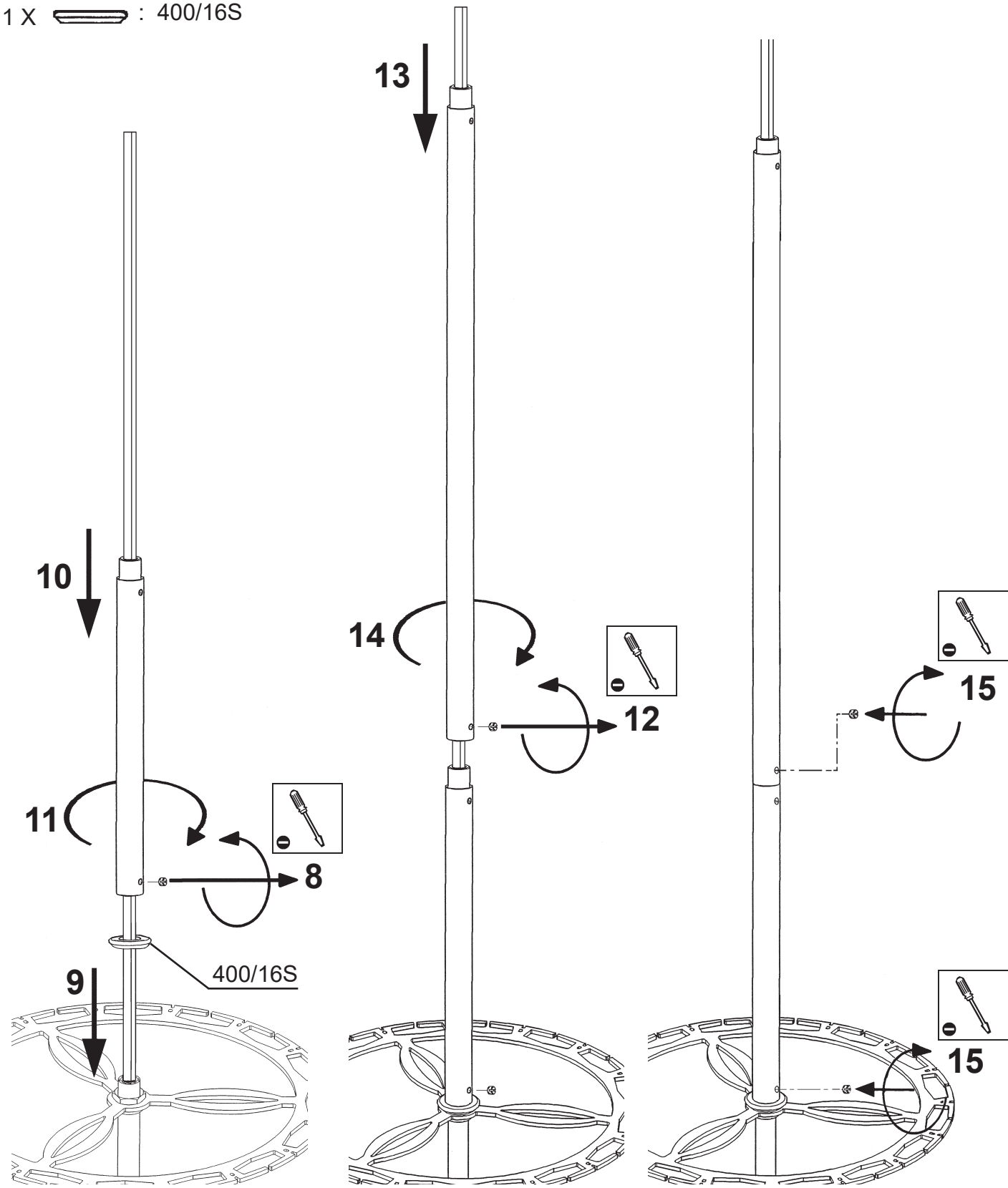


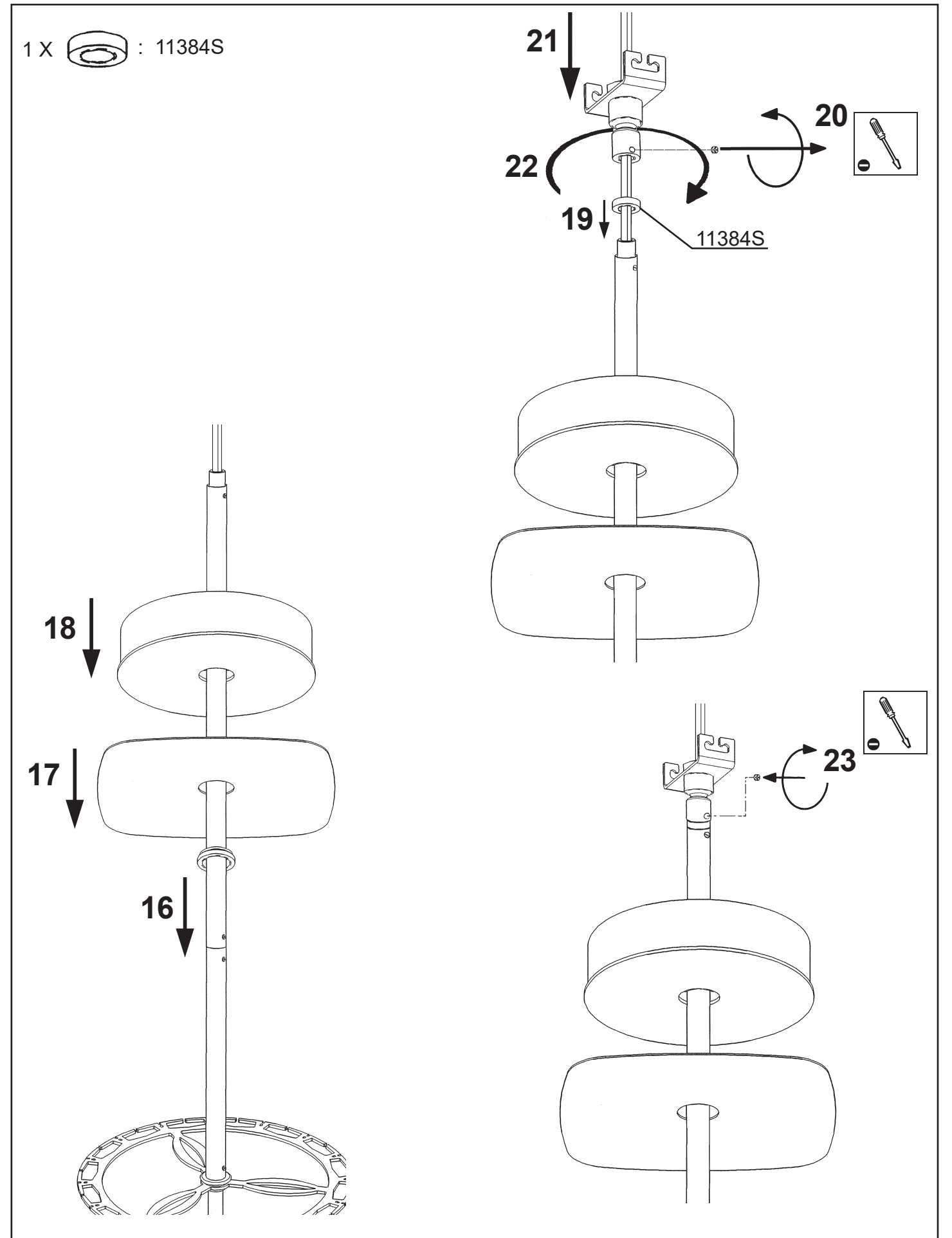
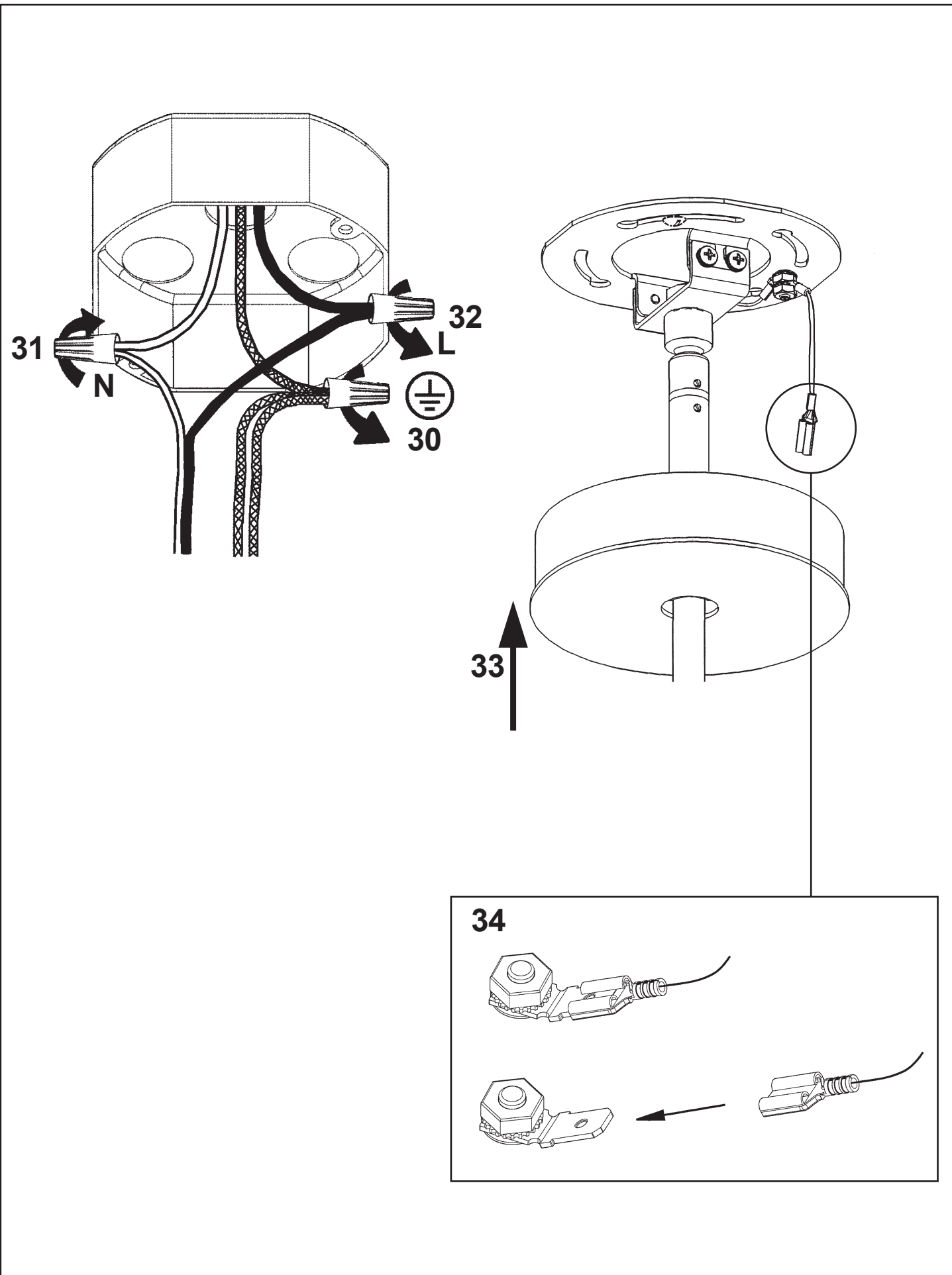
1 X : 400/16S

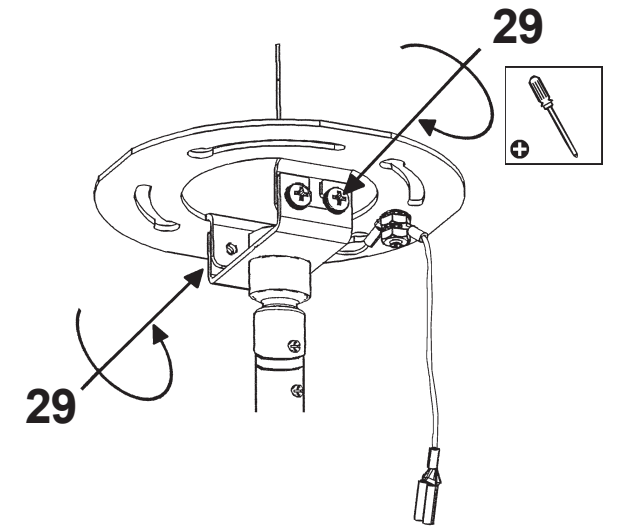
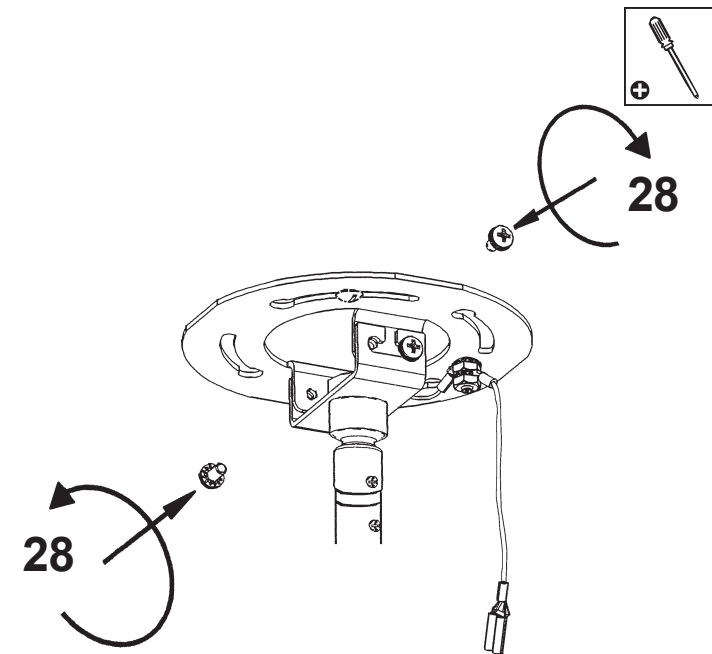
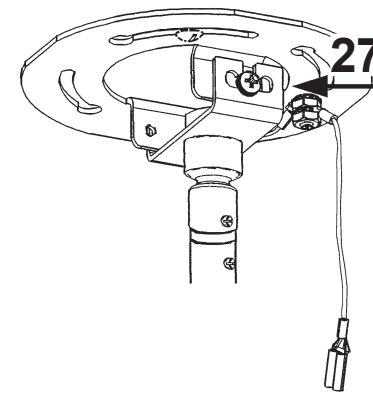
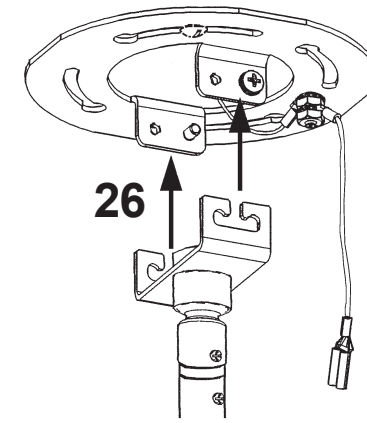
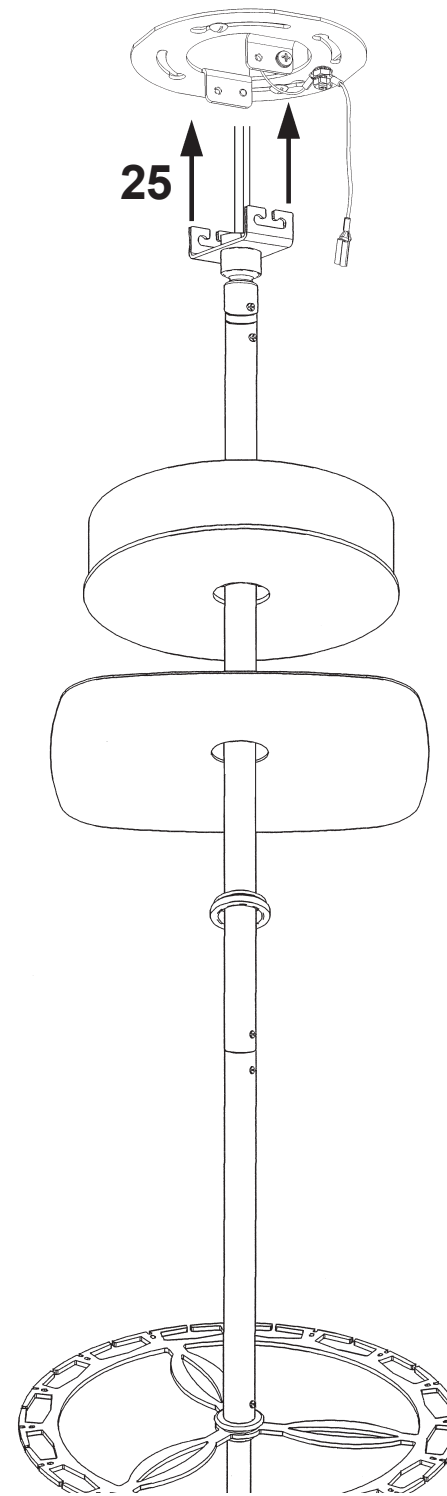
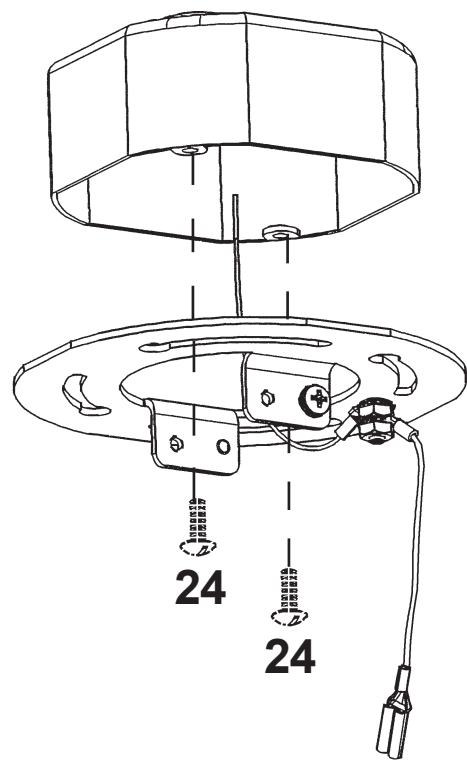




1 X  : 400/16S







 **SCHONBEK** | 1870










**SARELLA**  
**RS8310N-\_\_ \_R**



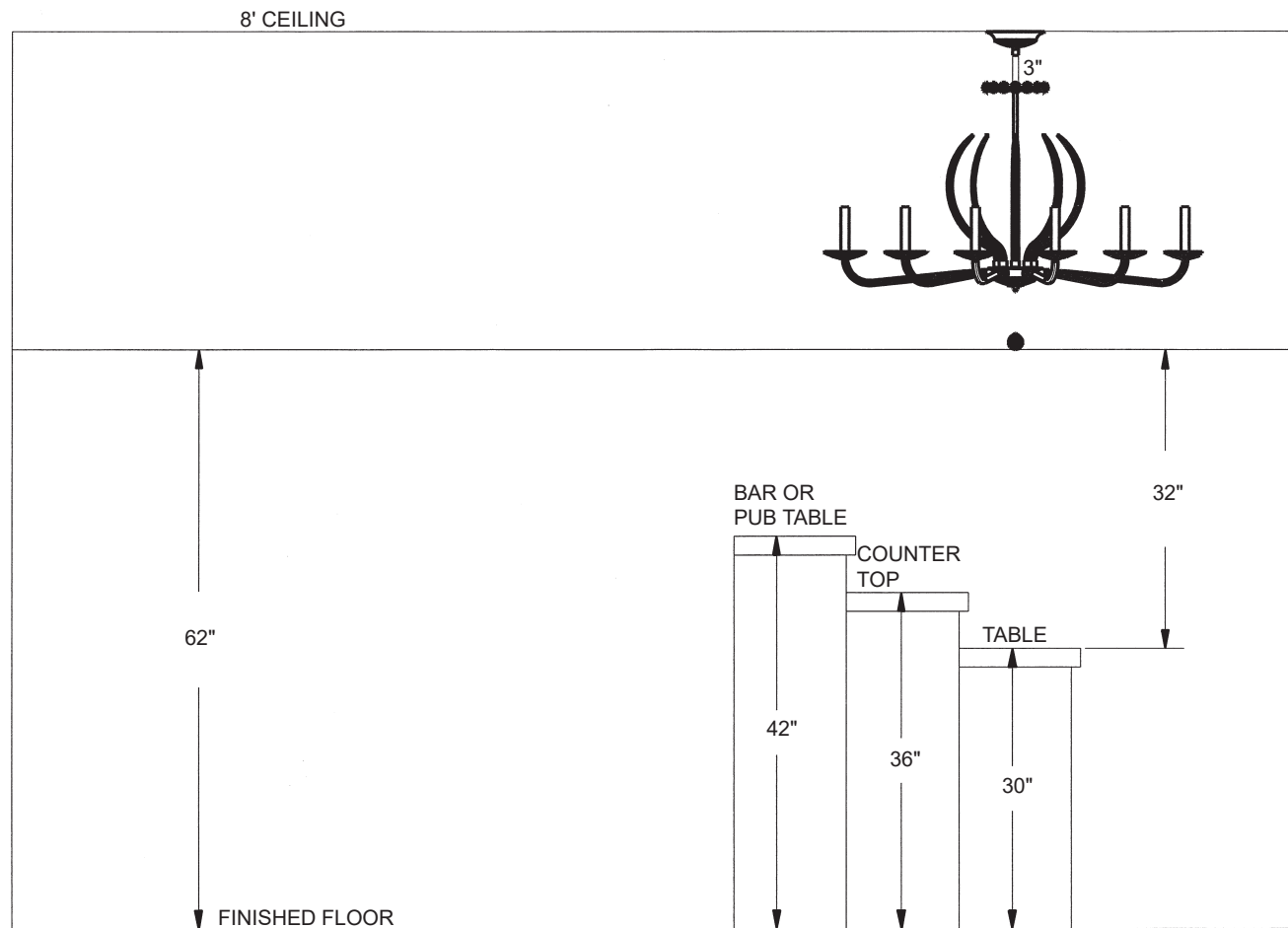
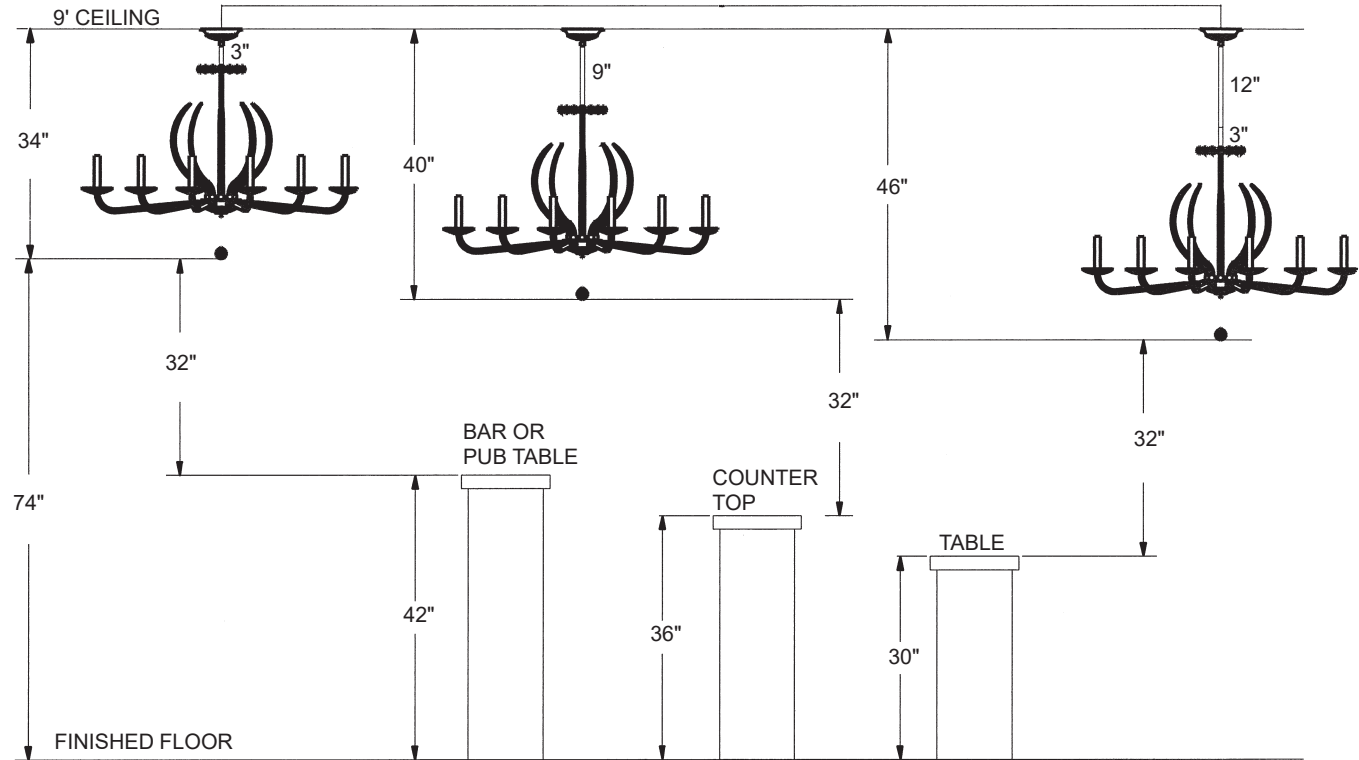
**T**HIS DESIGN IS THE PROPRIETARY  
TRADE DRESS/TRADEMARK OF  
W SCHONBEK LLC.

10 Lights  
Length: 40-1/2"  
Width: 24-1/2"  
Height: 30"  
Hanging Weight: 28lbs.

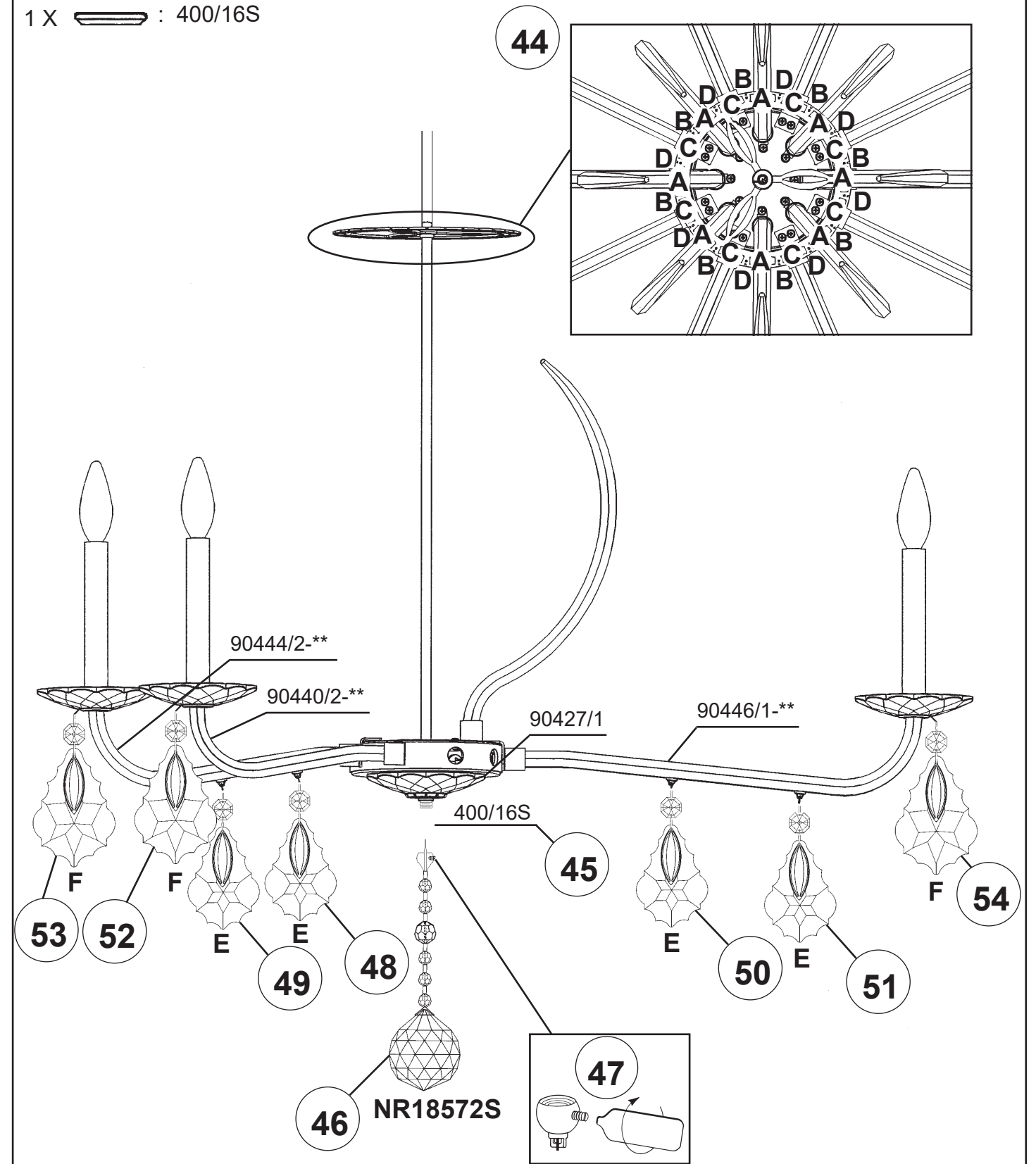
 **SCHONBEK** | 1870

			<b>S</b>					
MAX <b>60</b> W	110-120 V							

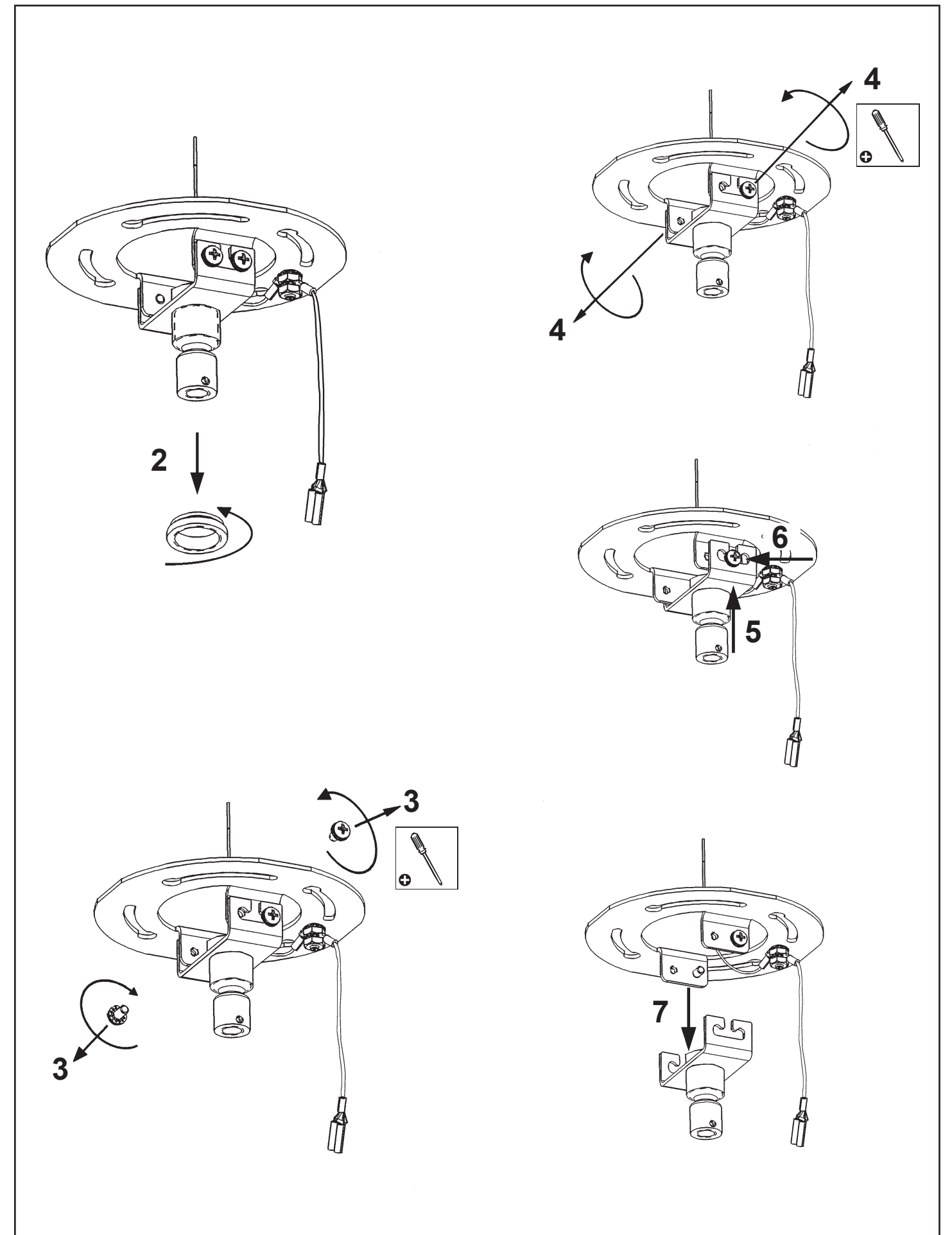
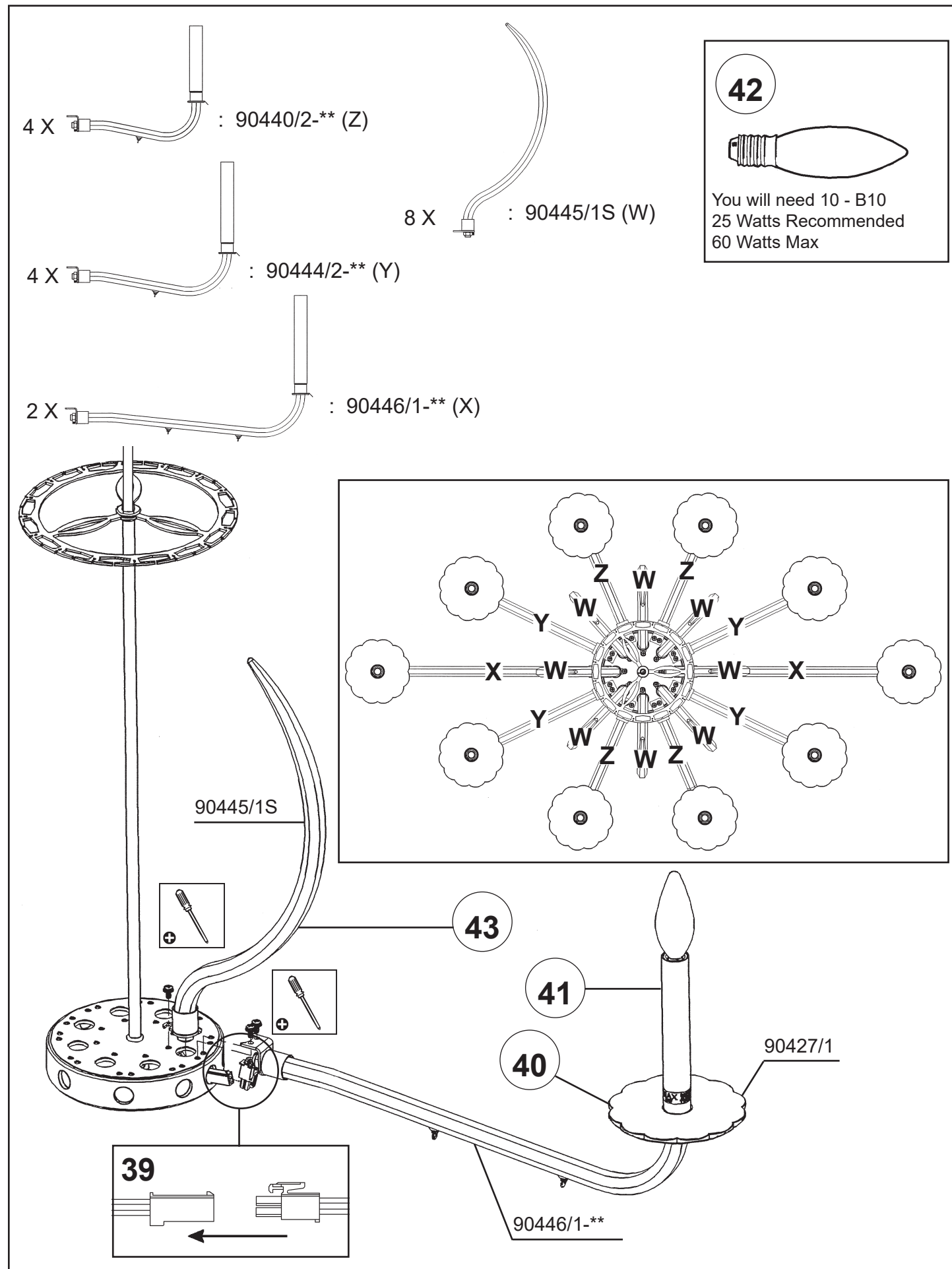
1



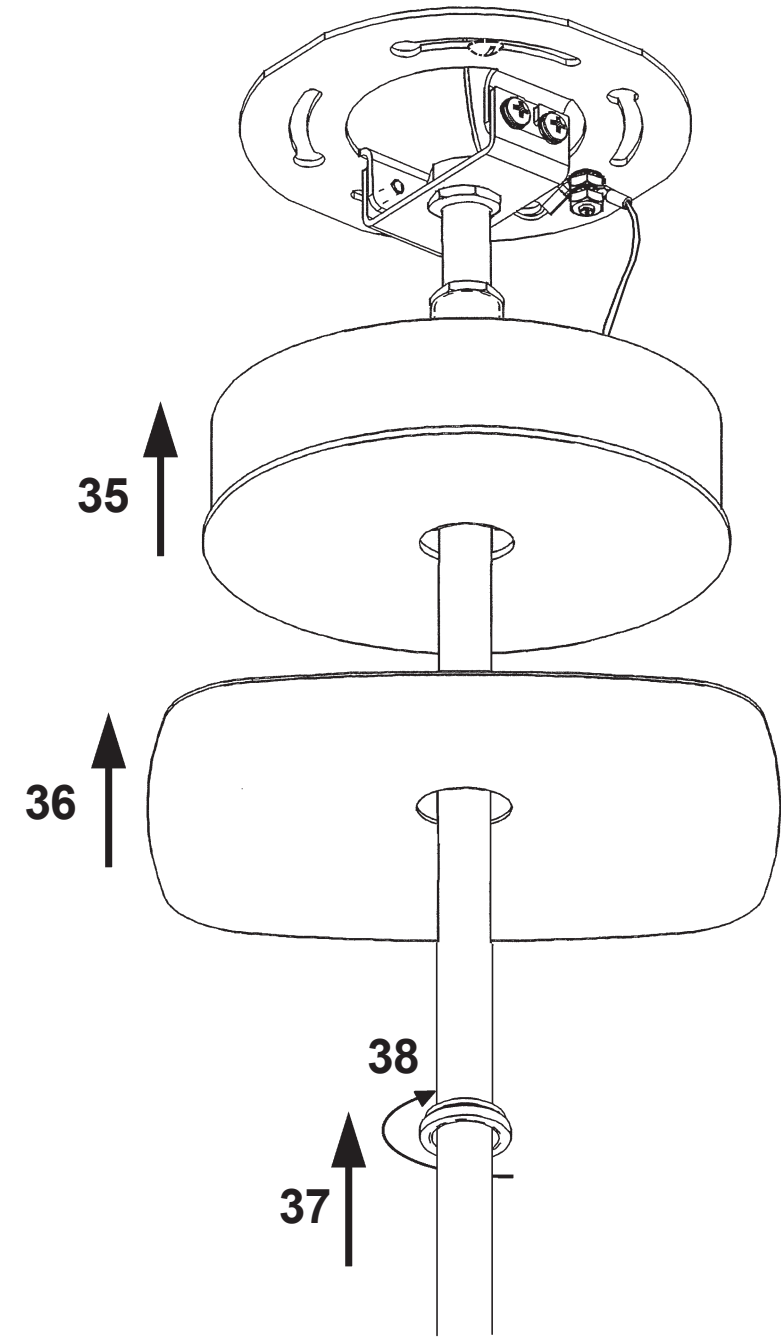
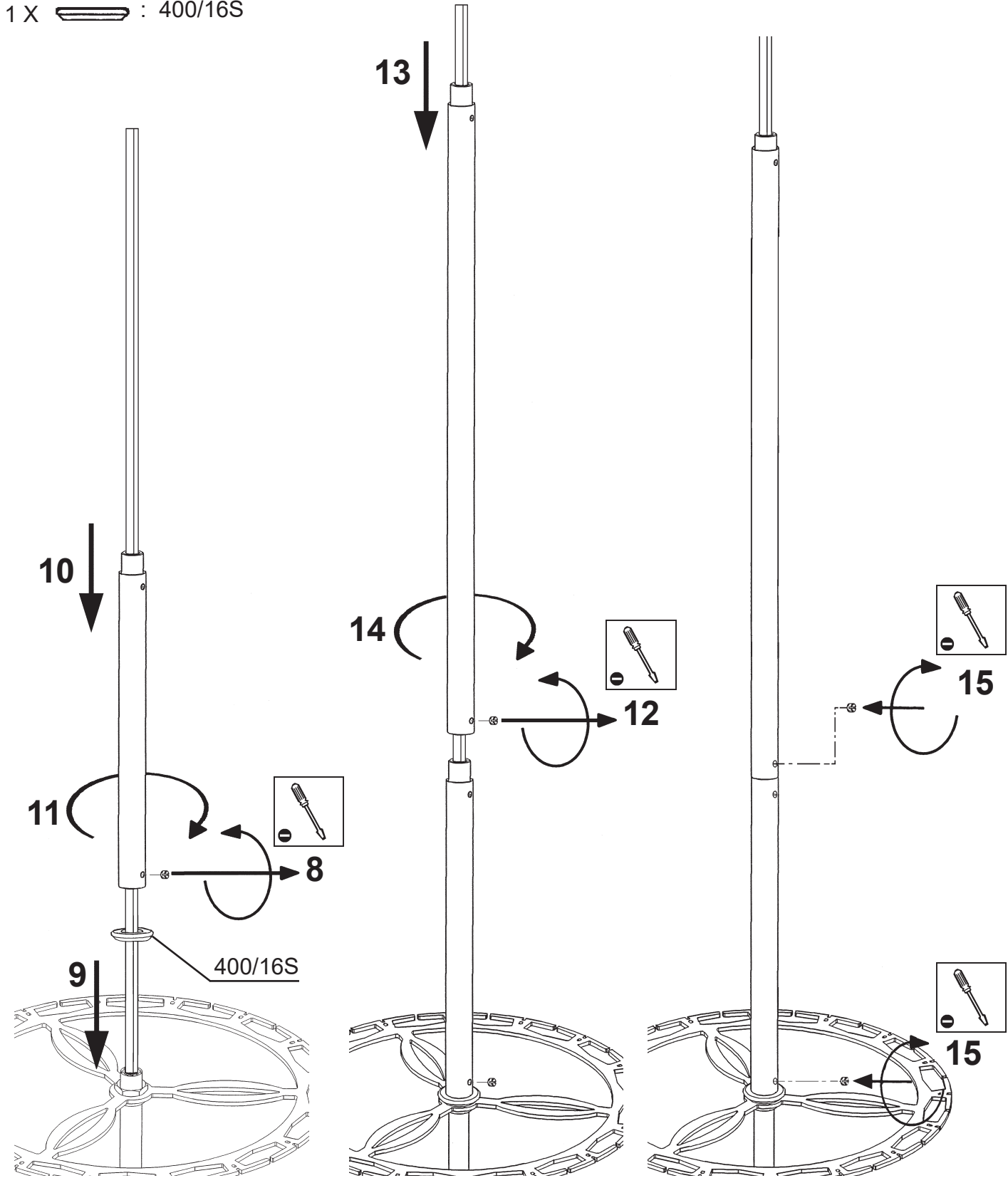
1 X : 400/16S

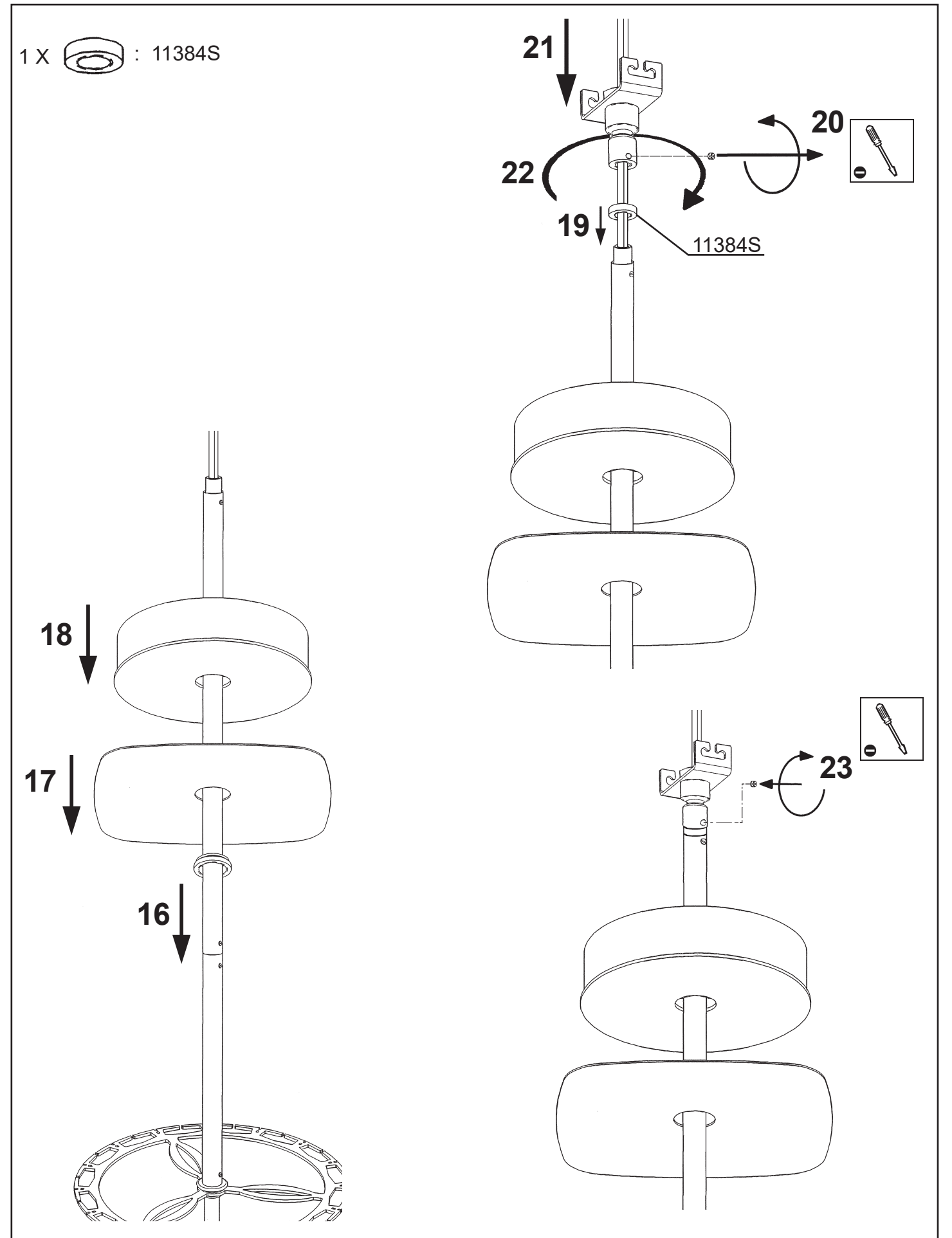
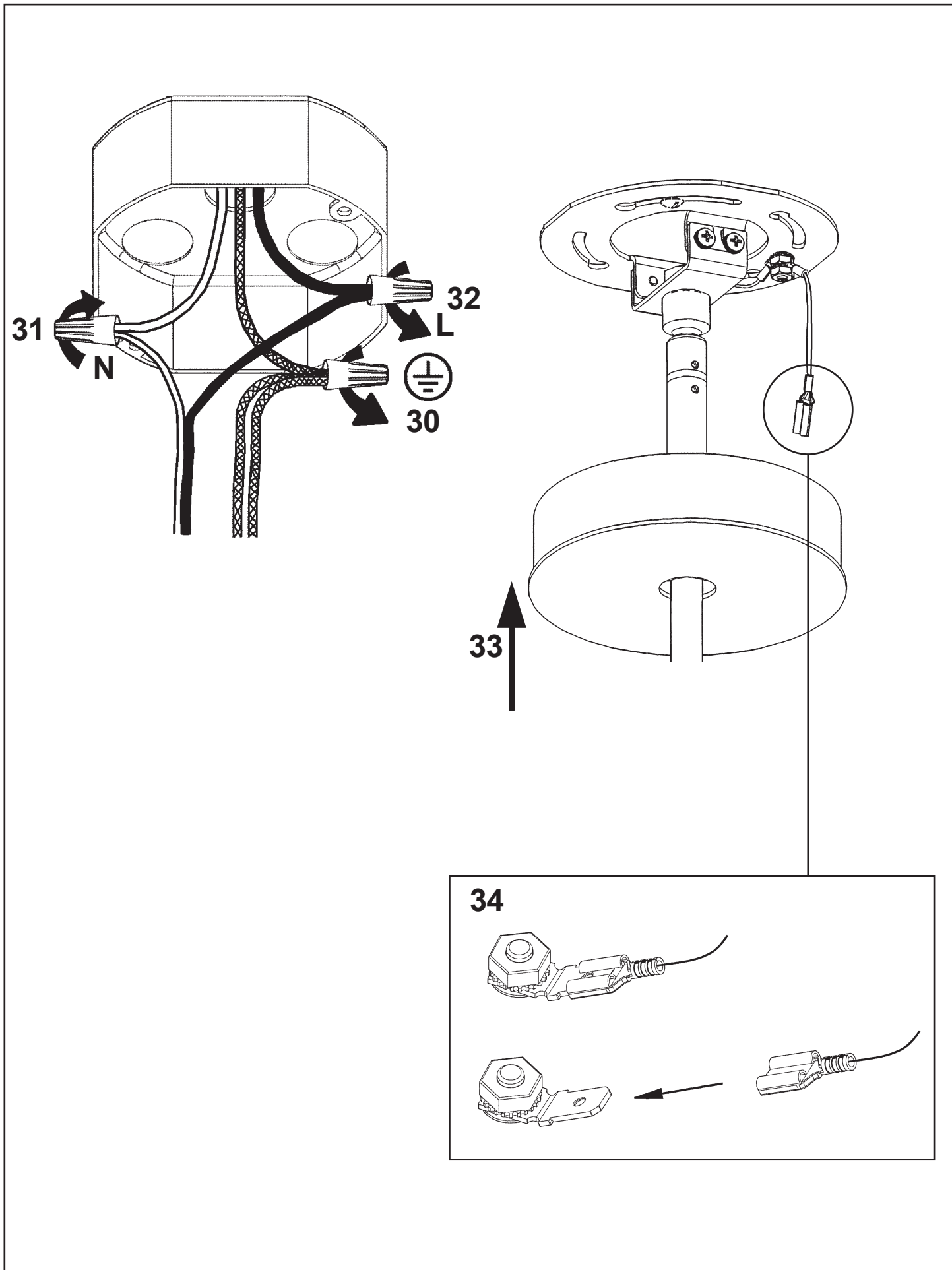


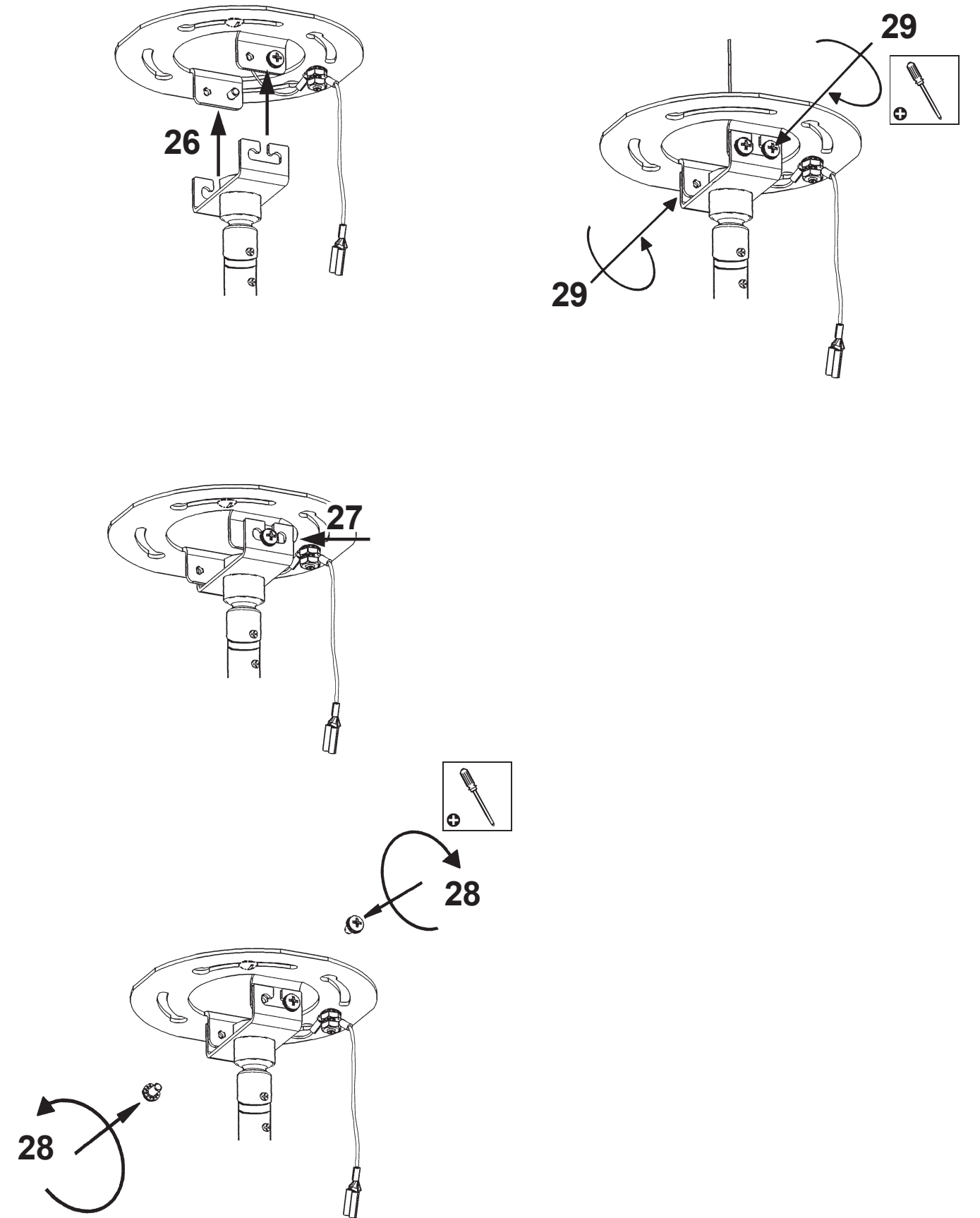
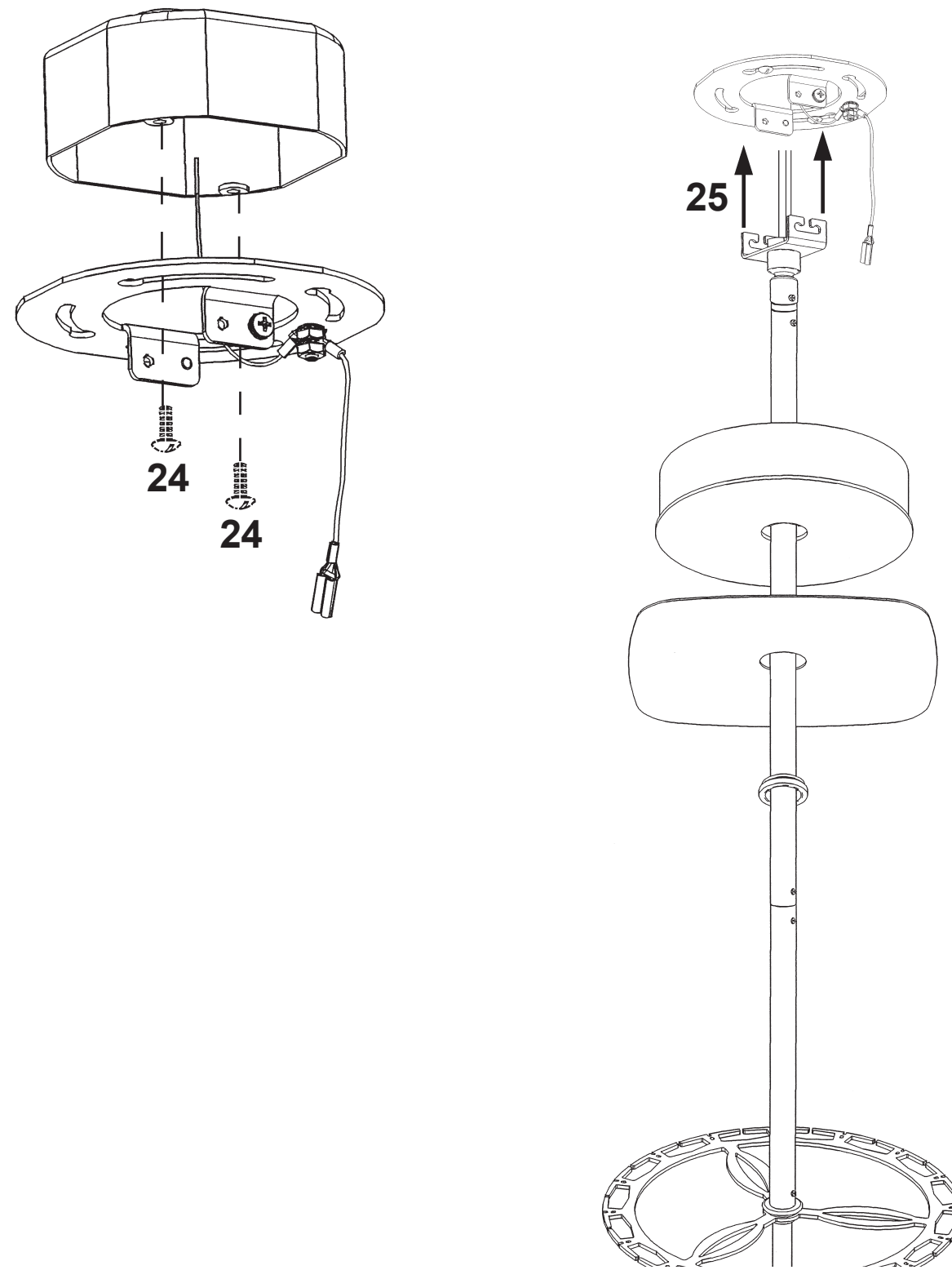




1 X  : 400/16S







 **SCHONBEK** | 1870











**SARELLA**  
**RS8310N- \_\_\_ \_ S**



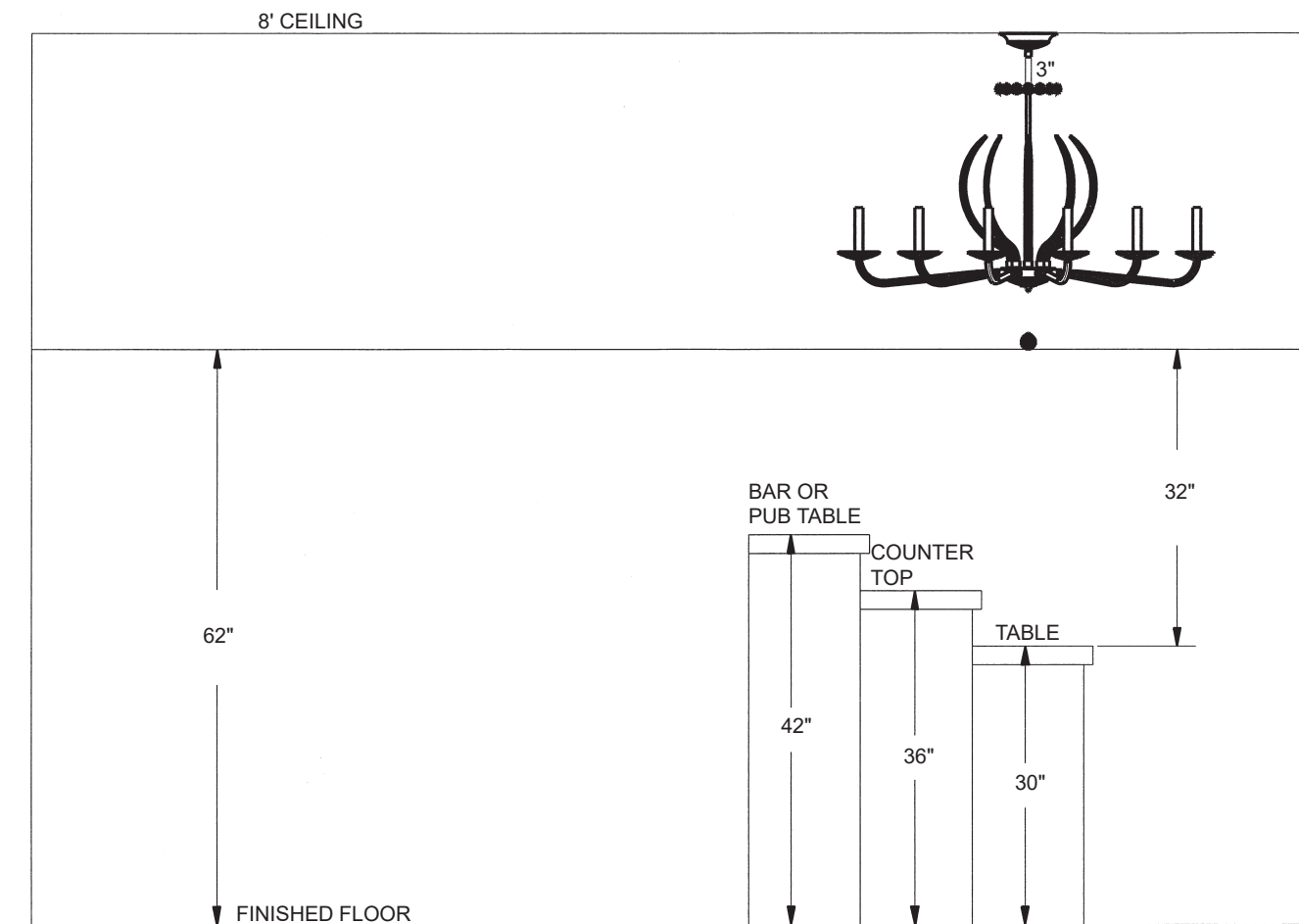
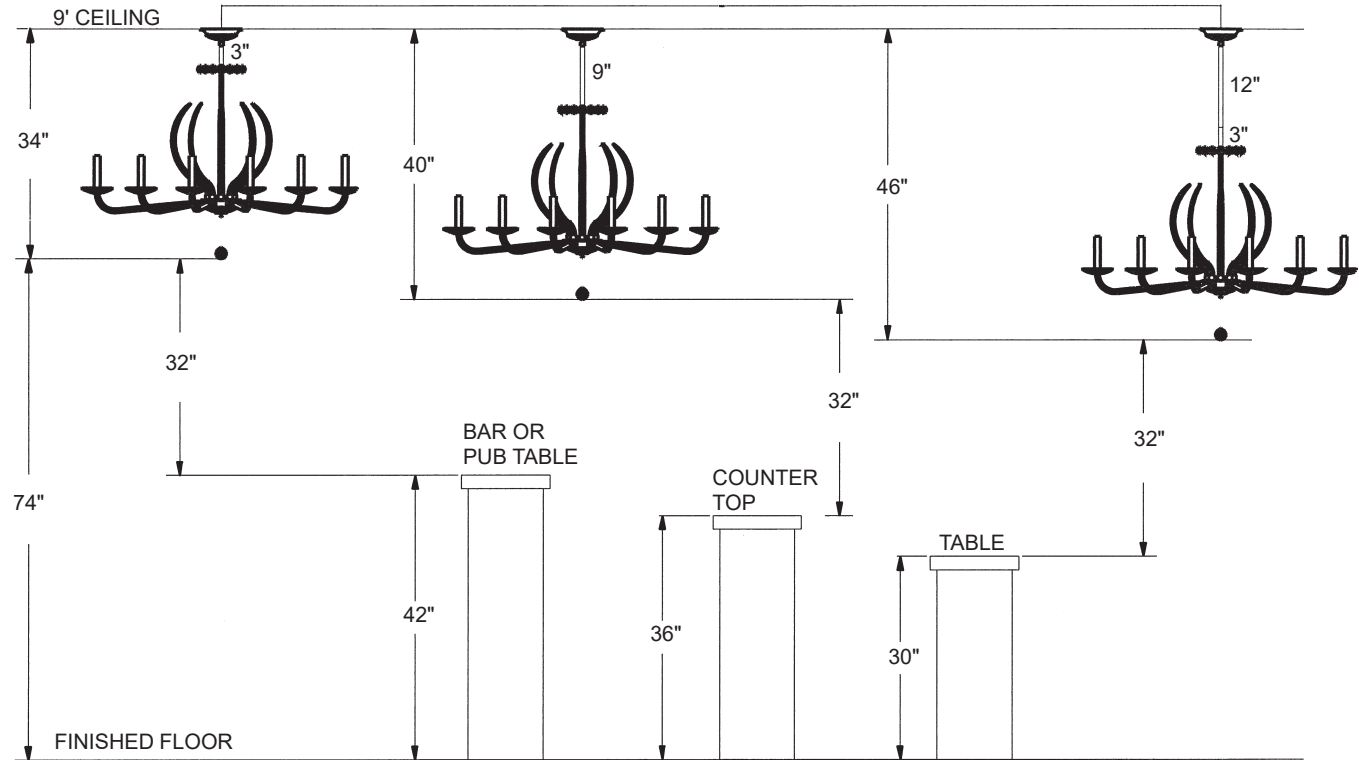
**T**HIS DESIGN IS THE PROPRIETARY  
TRADE DRESS/TRADEMARK OF  
W SCHONBEK LLC.

10 Lights  
Length: 40-1/2"  
Width: 24-1/2"  
Height: 30"  
Hanging Weight: 28lbs.

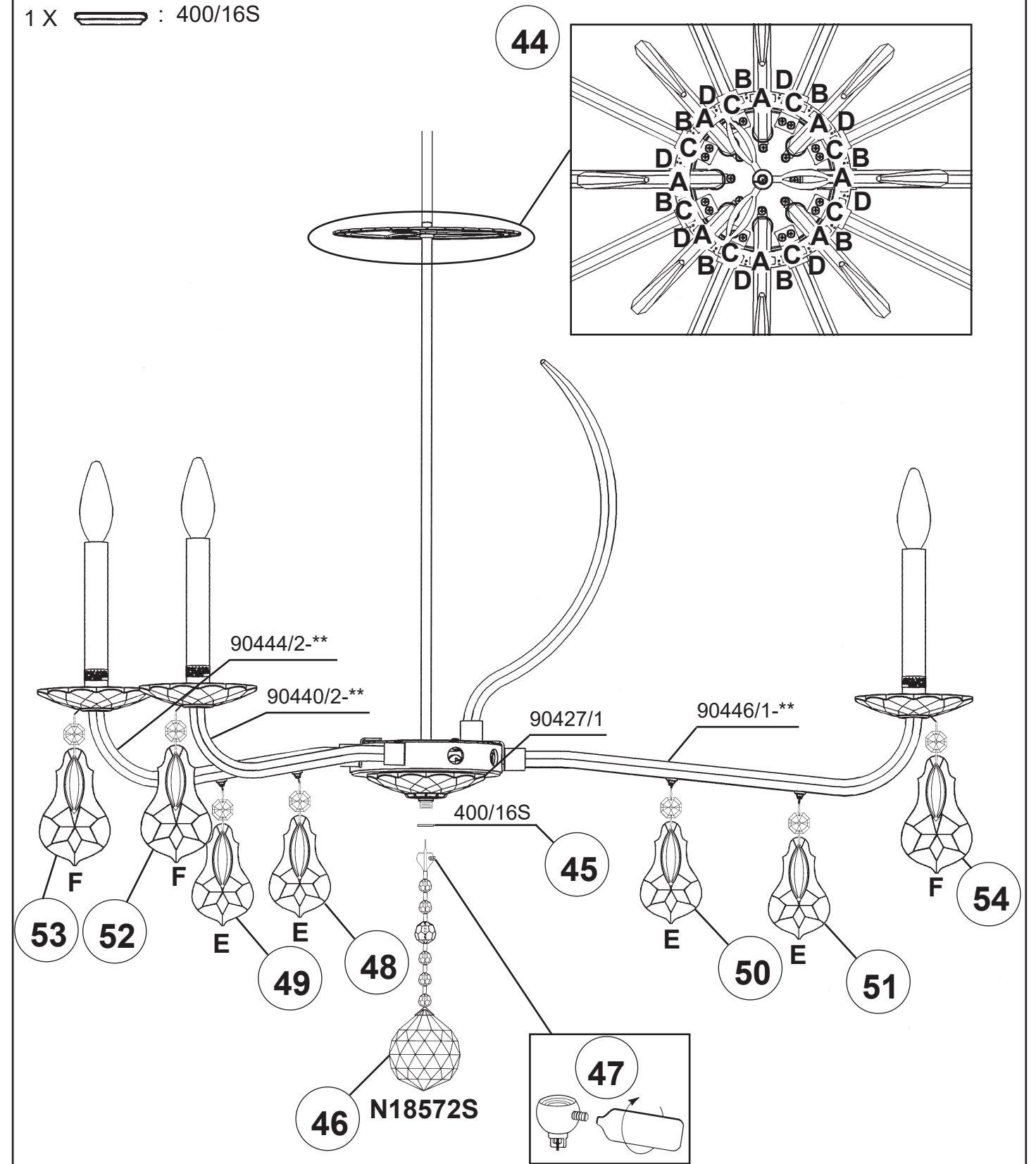
 **SCHONBEK** | 1870

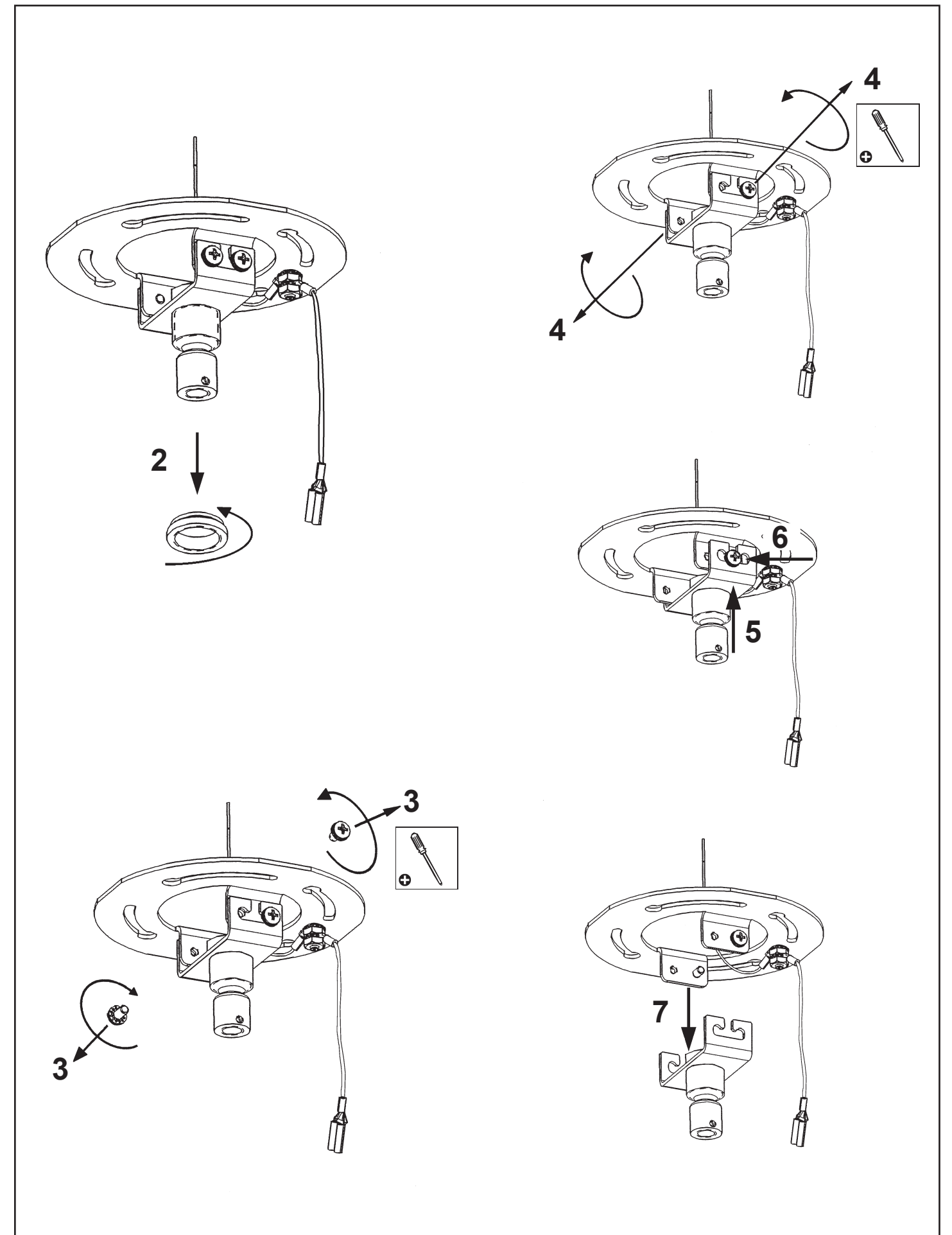
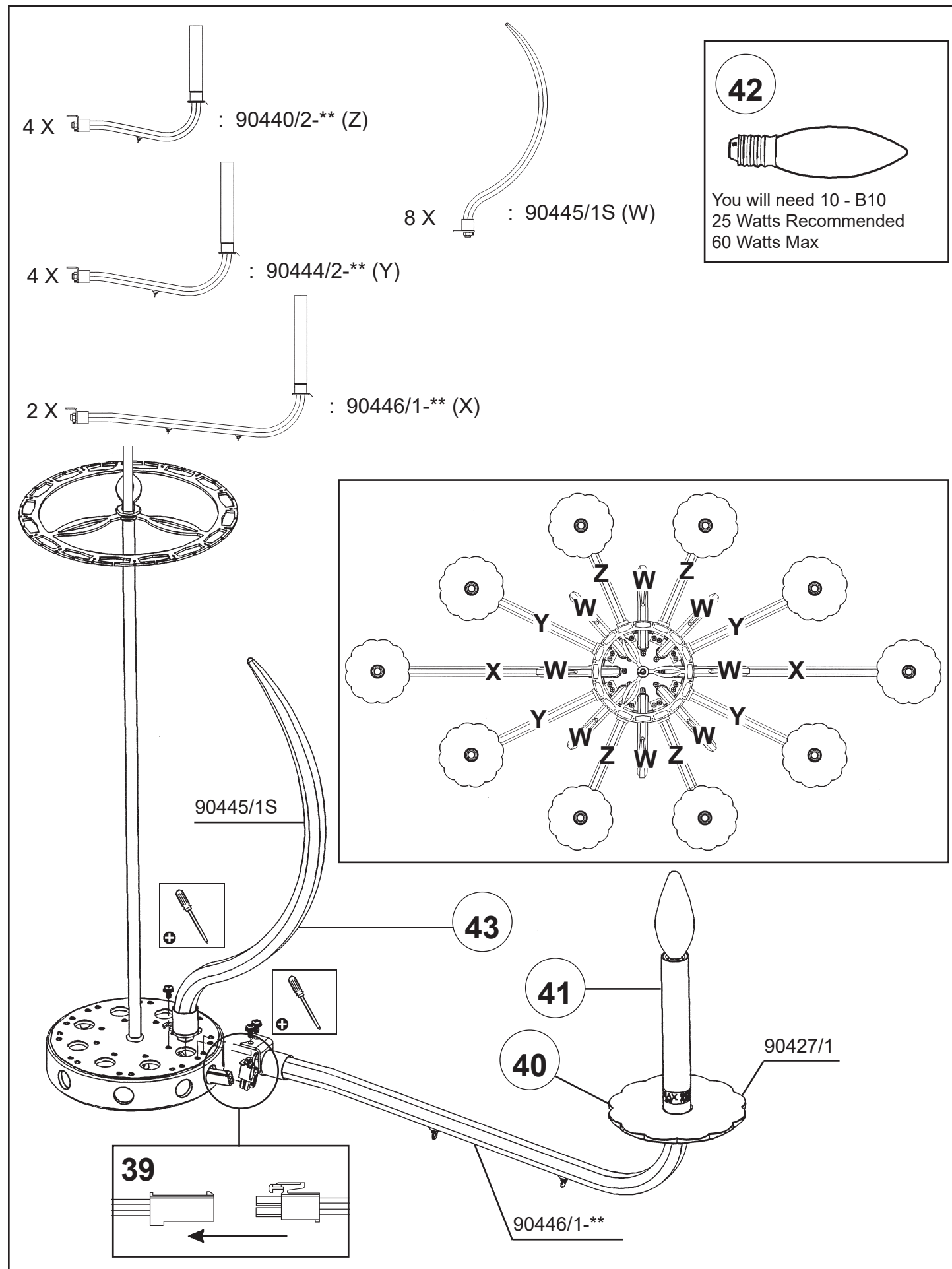
								
MAX <b>60</b> W	110-120 V							

1



1 X : 400/16S





1 X  : 400/16S

