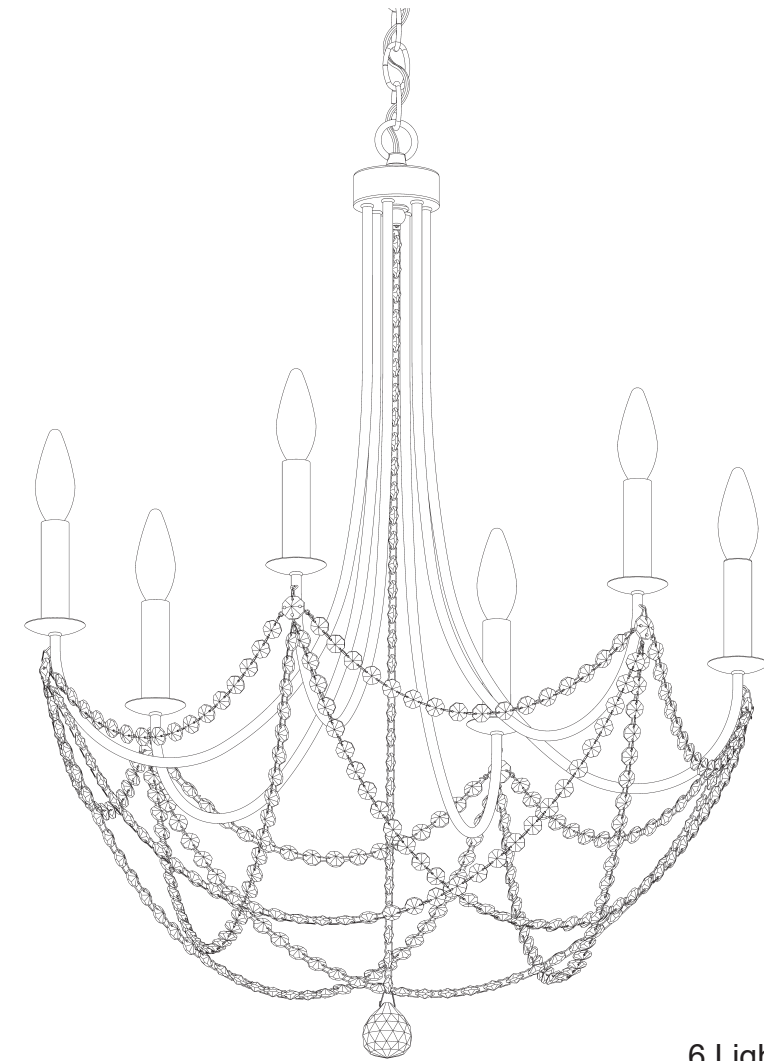


# VERDANA RJ1006N-\_\_ \_\_O













6 Lights  
Diameter: 24"  
Height: 29"  
Hanging Weight: 8lbs.

**T**HIS DESIGN IS THE PROPRIETARY  
TRADE DRESS/TRADEMARK OF  
W SCHONBEK LLC.

 **SCHONBEK** | 1870

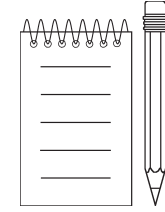
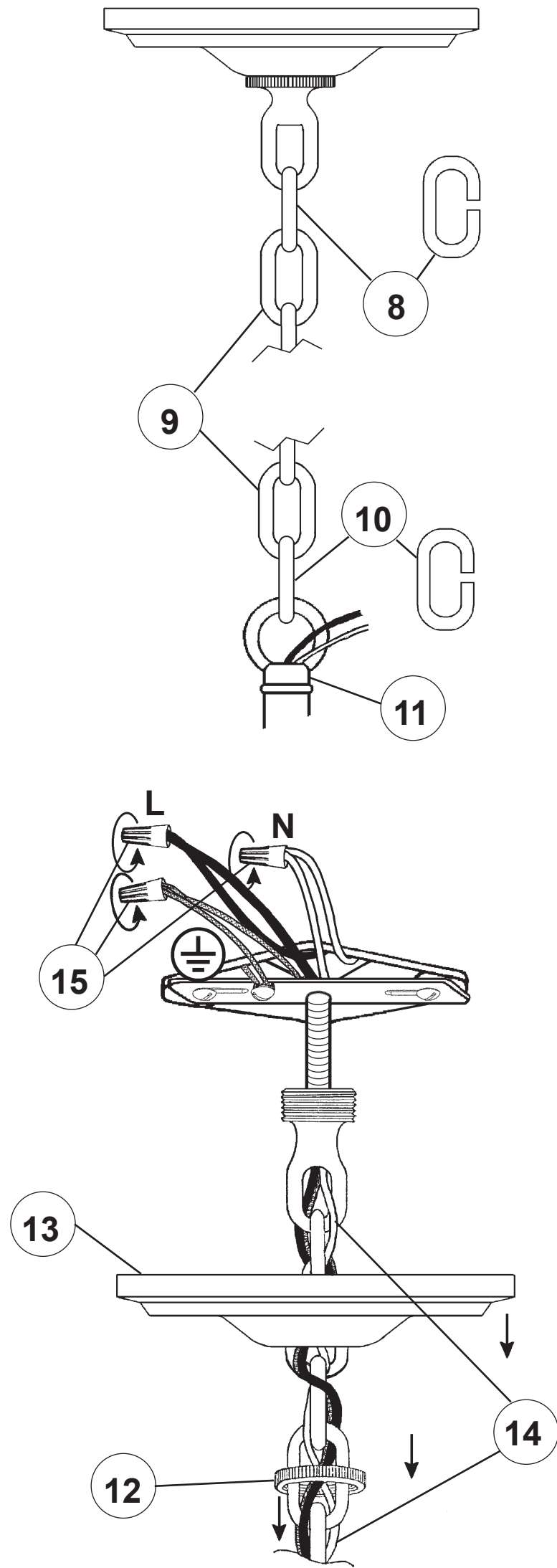
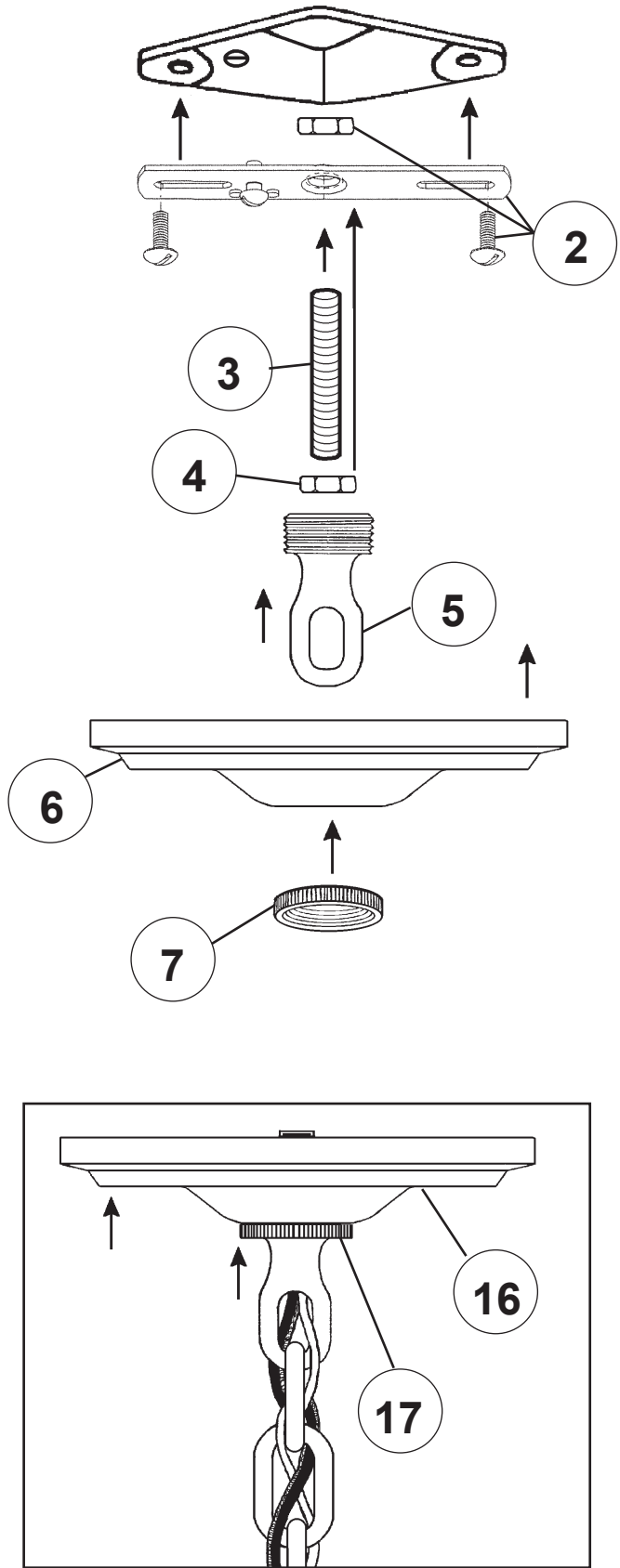
 **SCHONBEK** | 1870

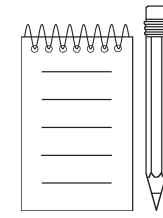
								
MAX 60 W	110-120 V							


**1** **WARNING:**

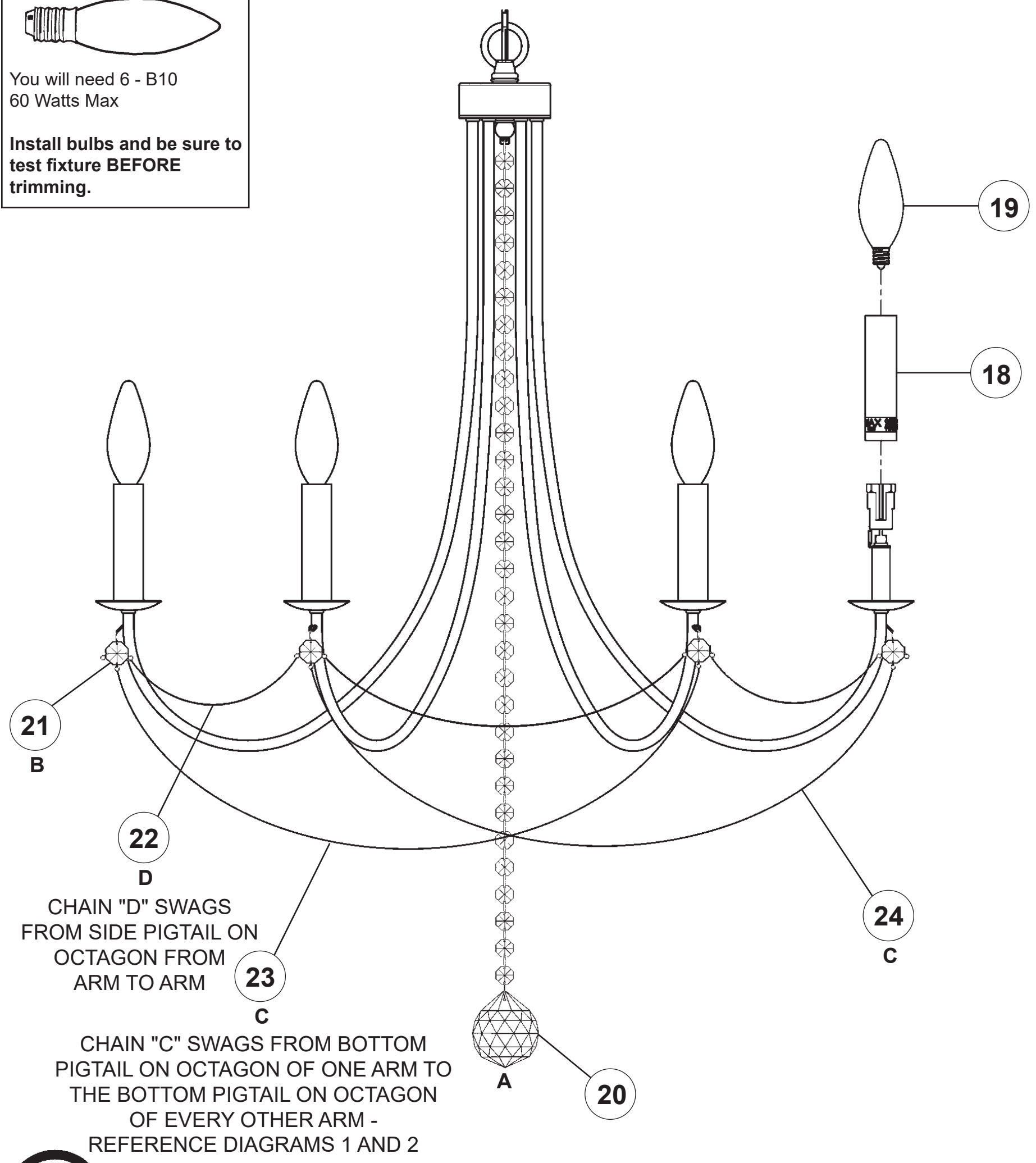
**Electrical Danger Turn Power Off**

All electrical components must be installed by a licensed electrician in accordance with the National Electric Code and the appropriate local electrical codes.





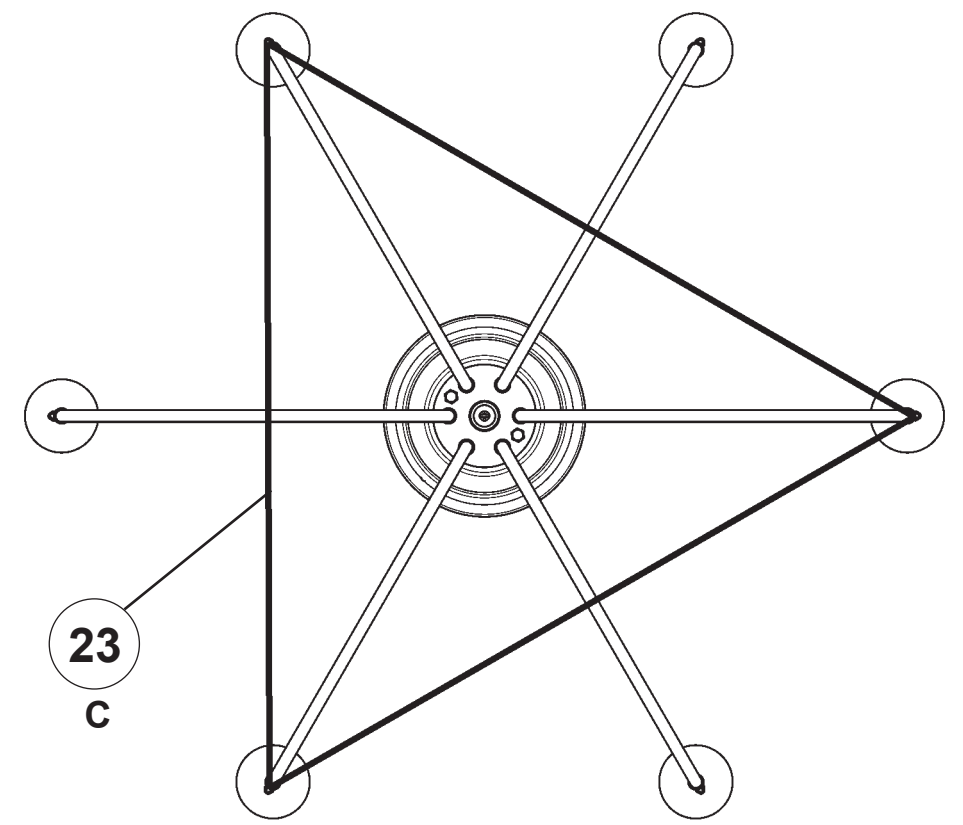
  
 You will need 6 - B10  
 60 Watts Max  
 Install bulbs and be sure to  
 test fixture BEFORE  
 trimming.



CHAIN "D" SWAGS  
 FROM SIDE PIGTAIL ON  
 OCTAGON FROM  
 ARM TO ARM

CHAIN "C" SWAGS FROM BOTTOM  
 PIGTAIL ON OCTAGON OF ONE ARM TO  
 THE BOTTOM PIGTAIL ON OCTAGON  
 OF EVERY OTHER ARM -  
 REFERENCE DIAGRAMS 1 AND 2

**DIAGRAM 1  
 (BOTTOM VIEW)**



**DIAGRAM 2  
 (BOTTOM VIEW)**

