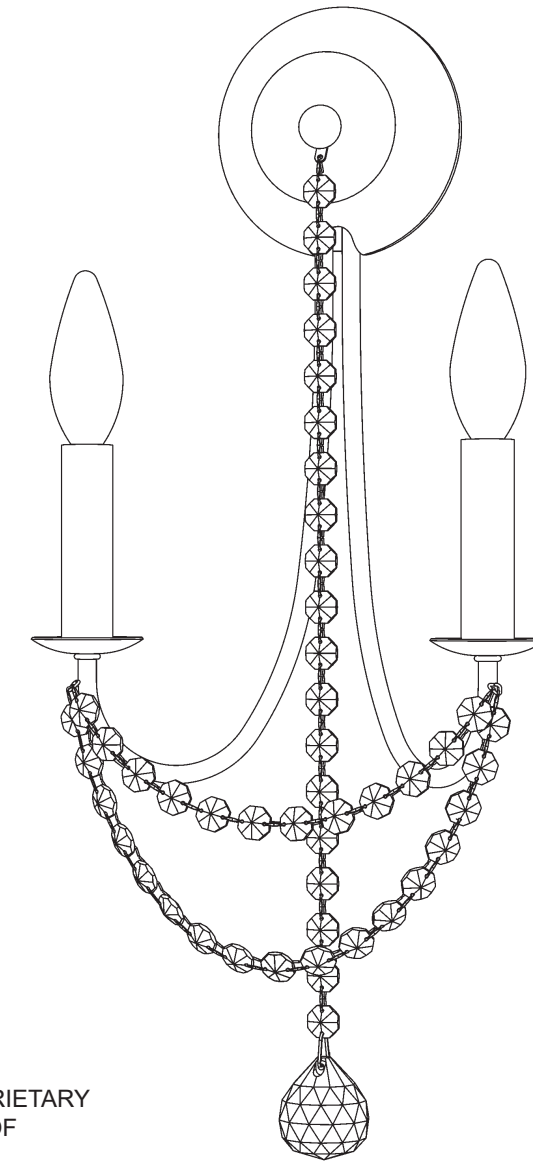


# VERDANA RJ1002N-\_\_ \_\_O













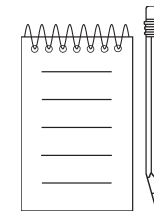
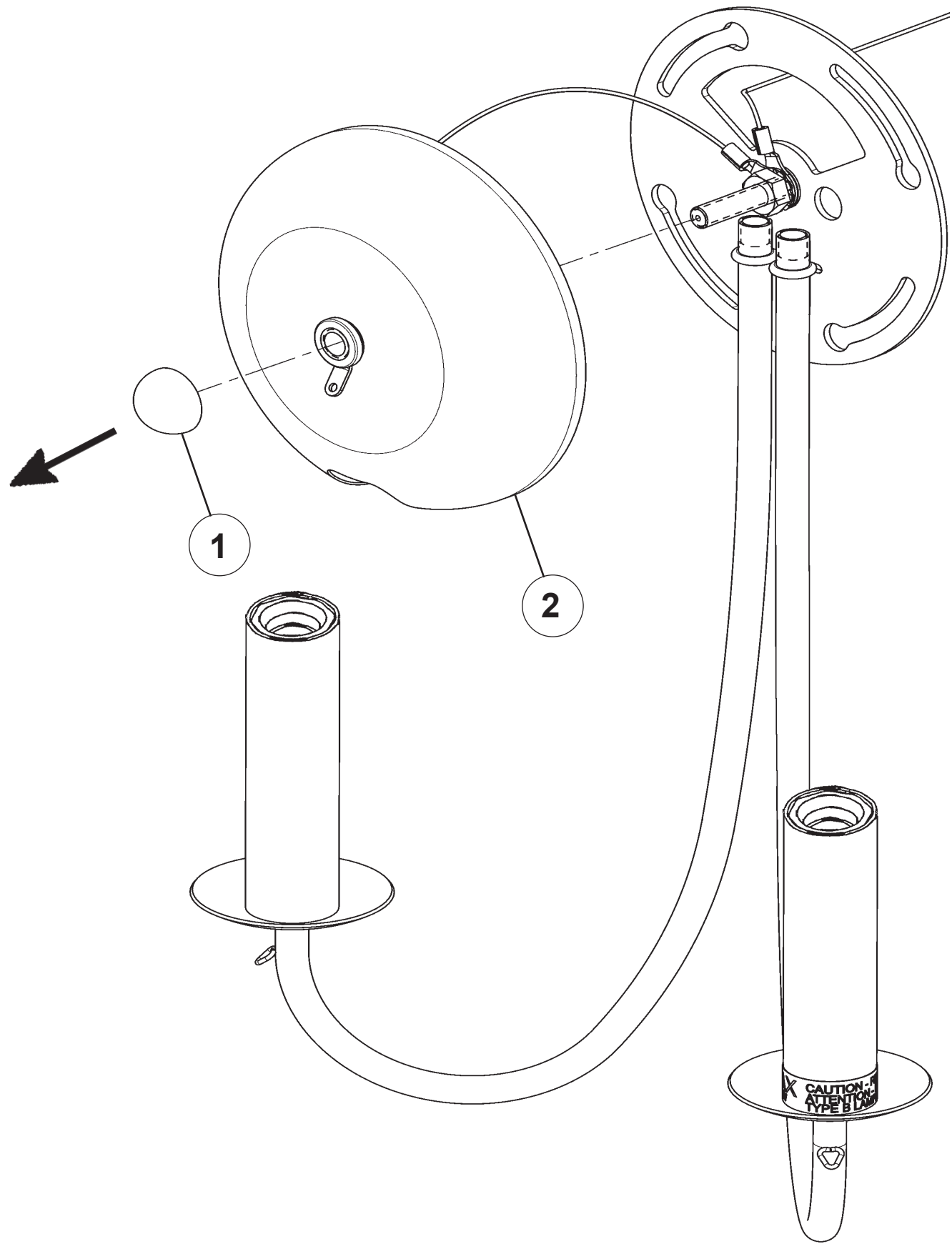
2 Lights  
Diameter: 9"  
Height: 19"  
Extension: 4"  
Hanging Weight: 2lbs.

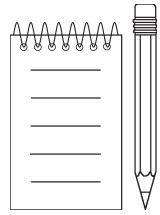
**T**HIS DESIGN IS THE PROPRIETARY TRADE DRESS/TRADEMARK OF W SCHONBEK LLC.

 **SCHONBEK** | 1870

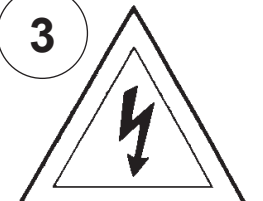
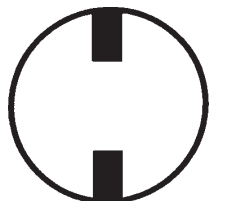
 **SCHONBEK** | 1870

								
MAX <u>60</u> W	110-120 V							



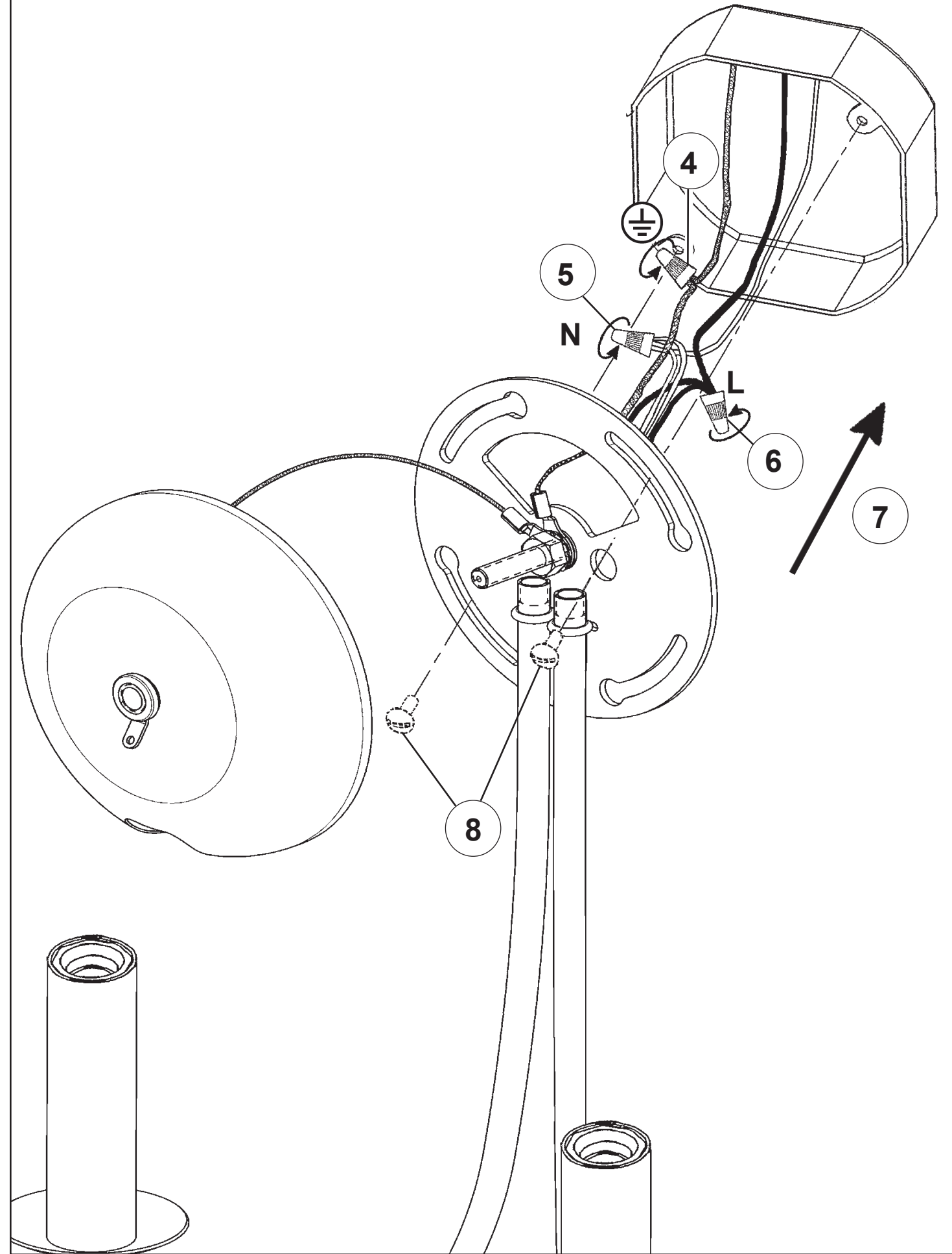


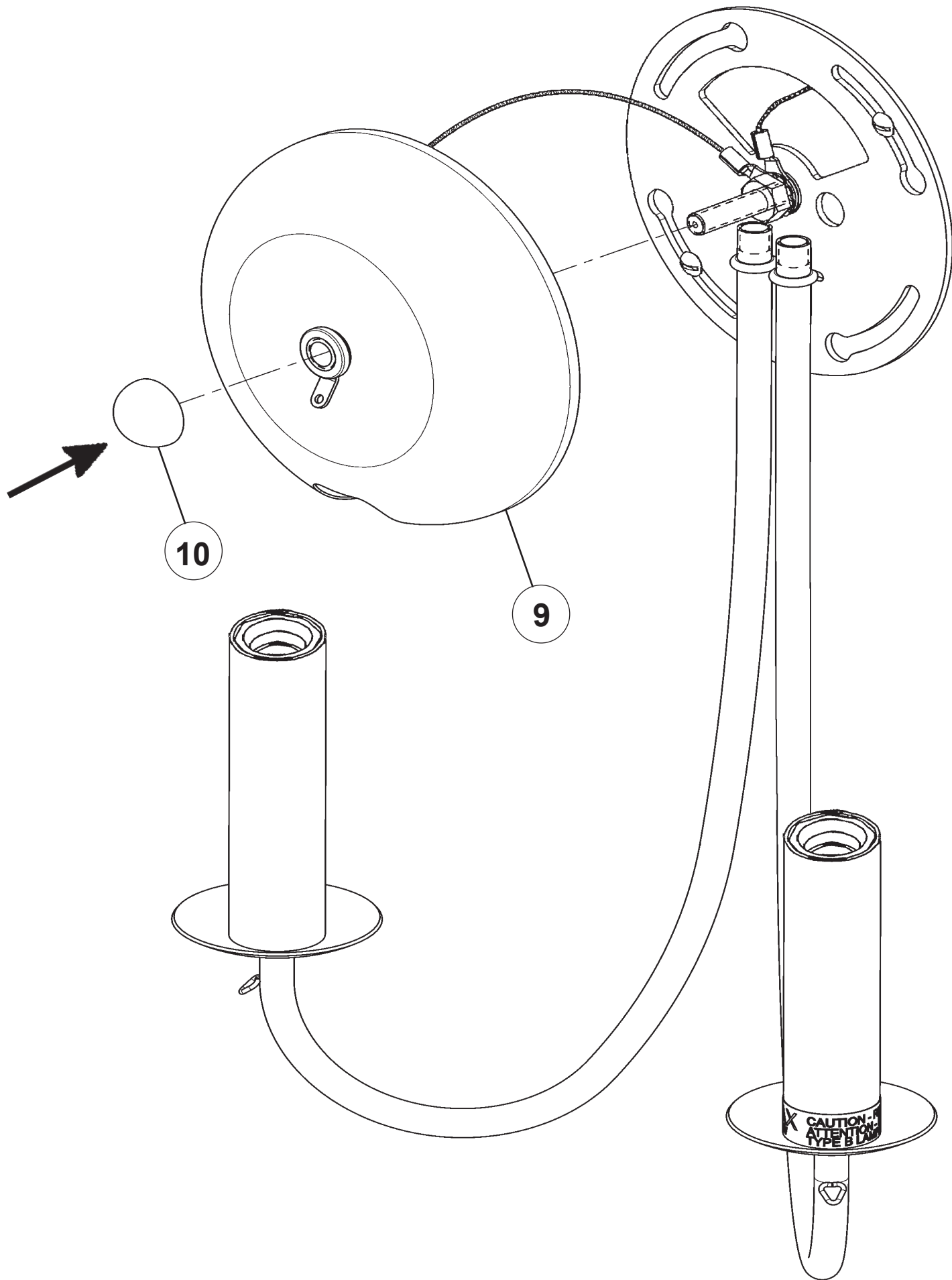
**WARNING:**

3  

Electrical Danger Turn Power Off

All electrical components must be installed by a licensed electrician in accordance with the National Electric Code and the appropriate local electrical codes.





**11**

You will need 2 - B10  
60 Watts Max

**Install bulbs and be sure  
to test fixture BEFORE  
trimming.**

