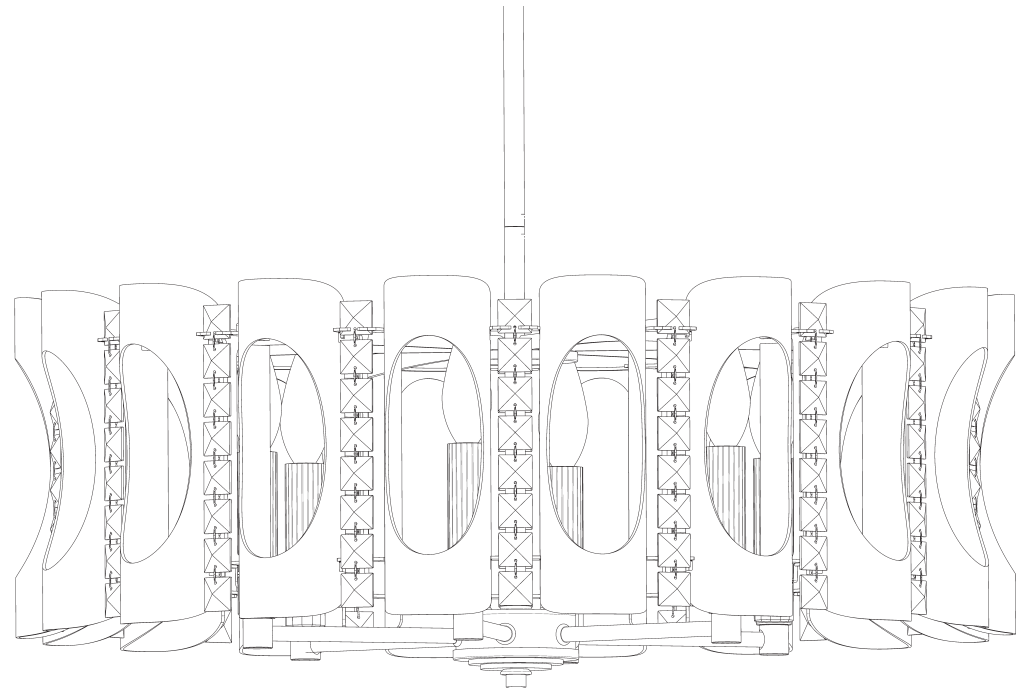




TWILIGHT MR1006N-__ __O



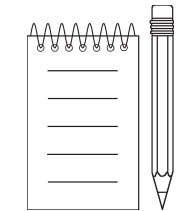
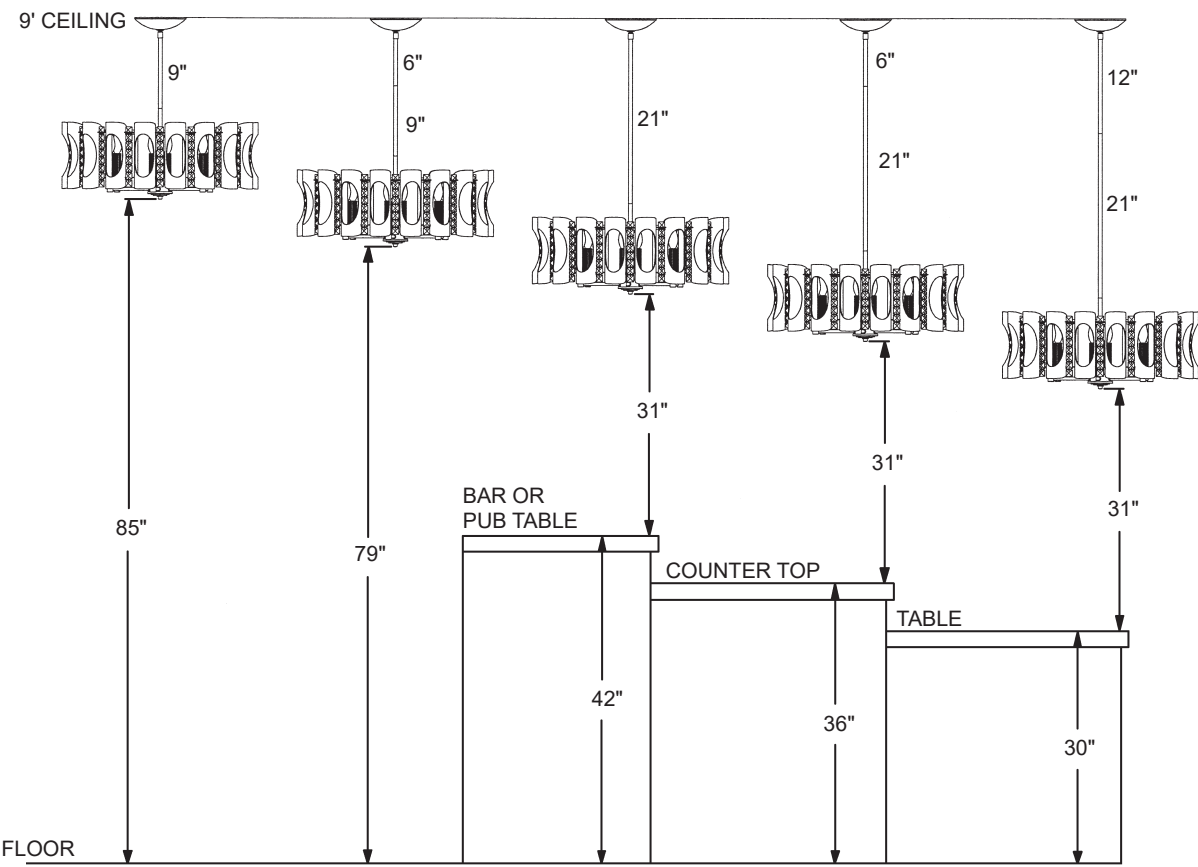
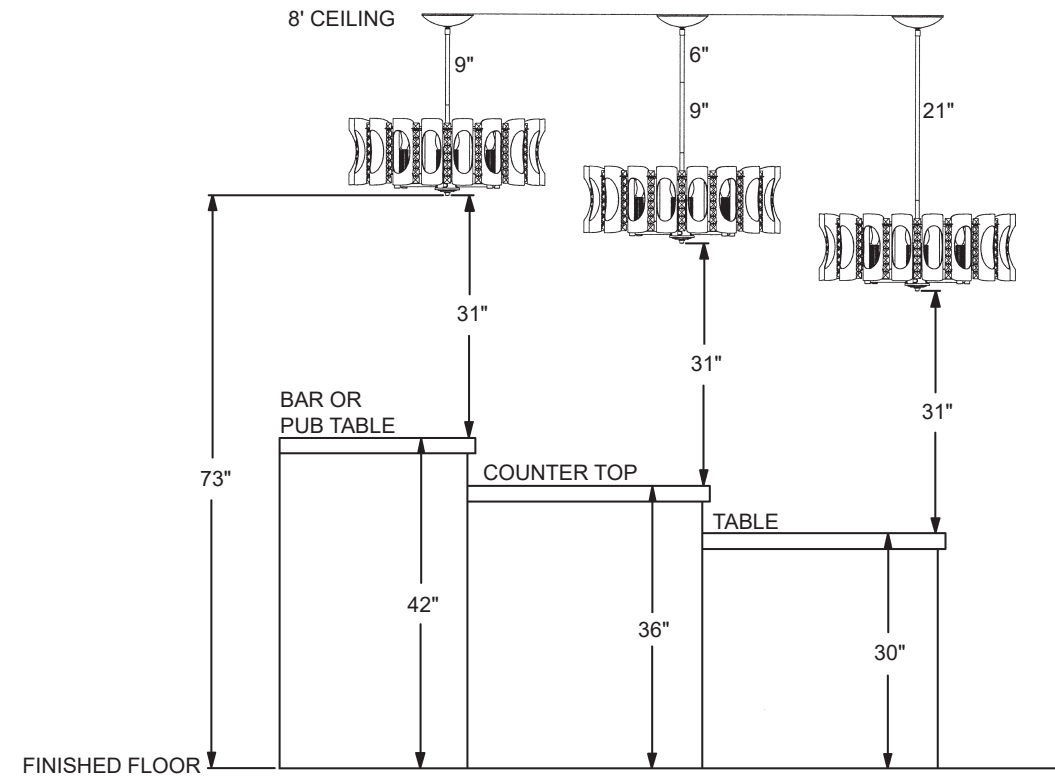
THIS DESIGN IS THE PROPRIETARY
TRADE DRESS/TRADEMARK OF
W SCHONBEK LLC.

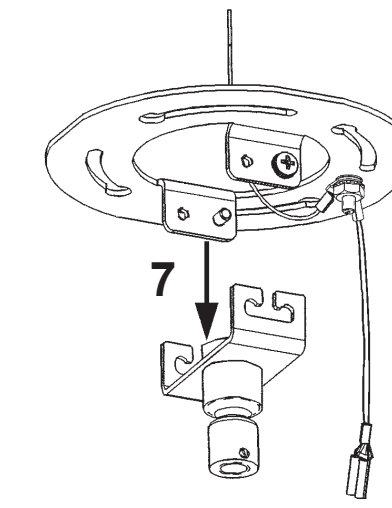
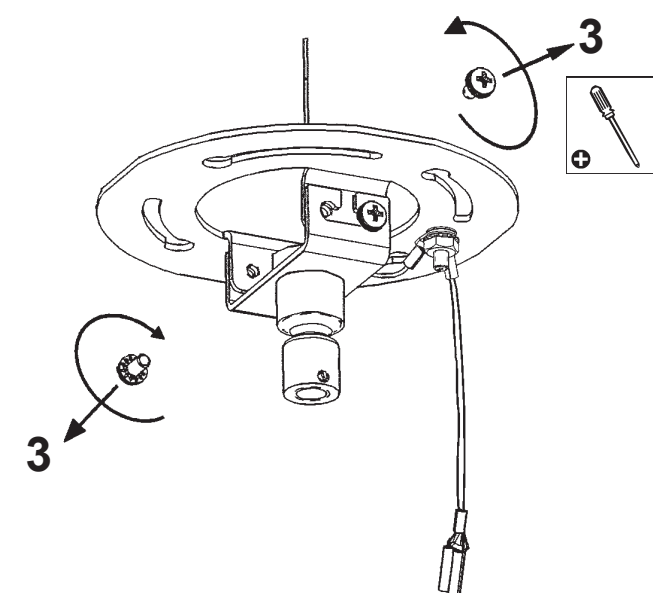
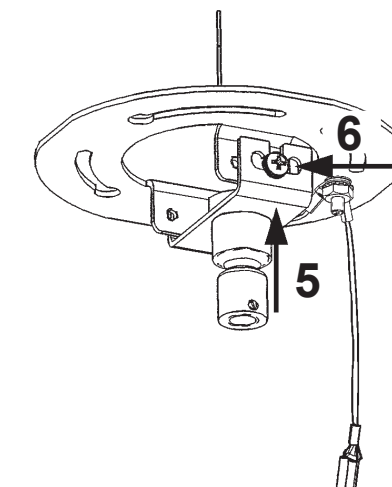
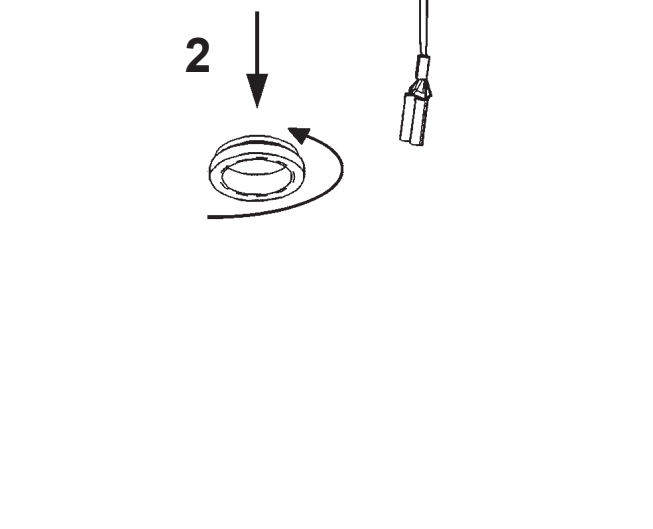
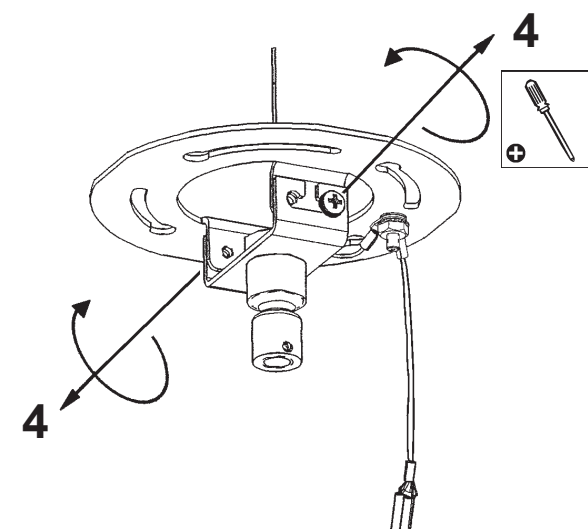
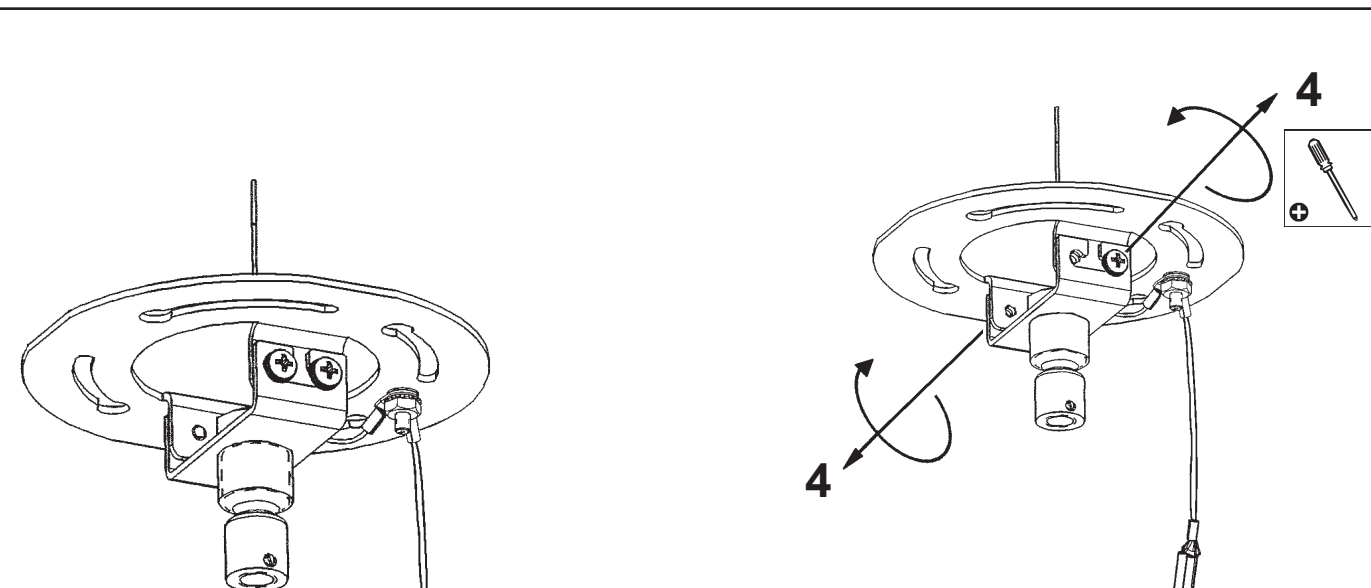
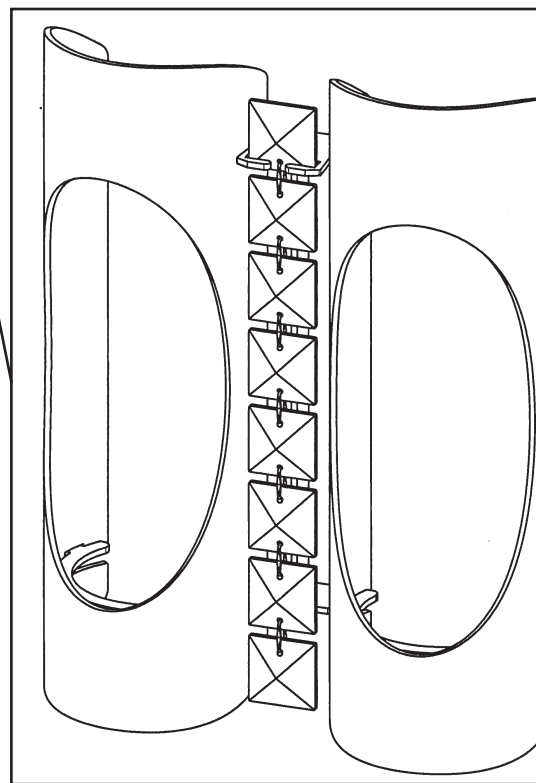
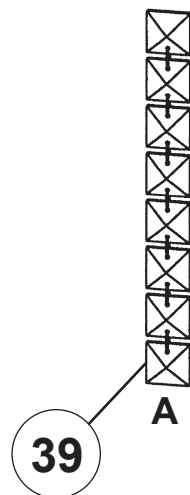
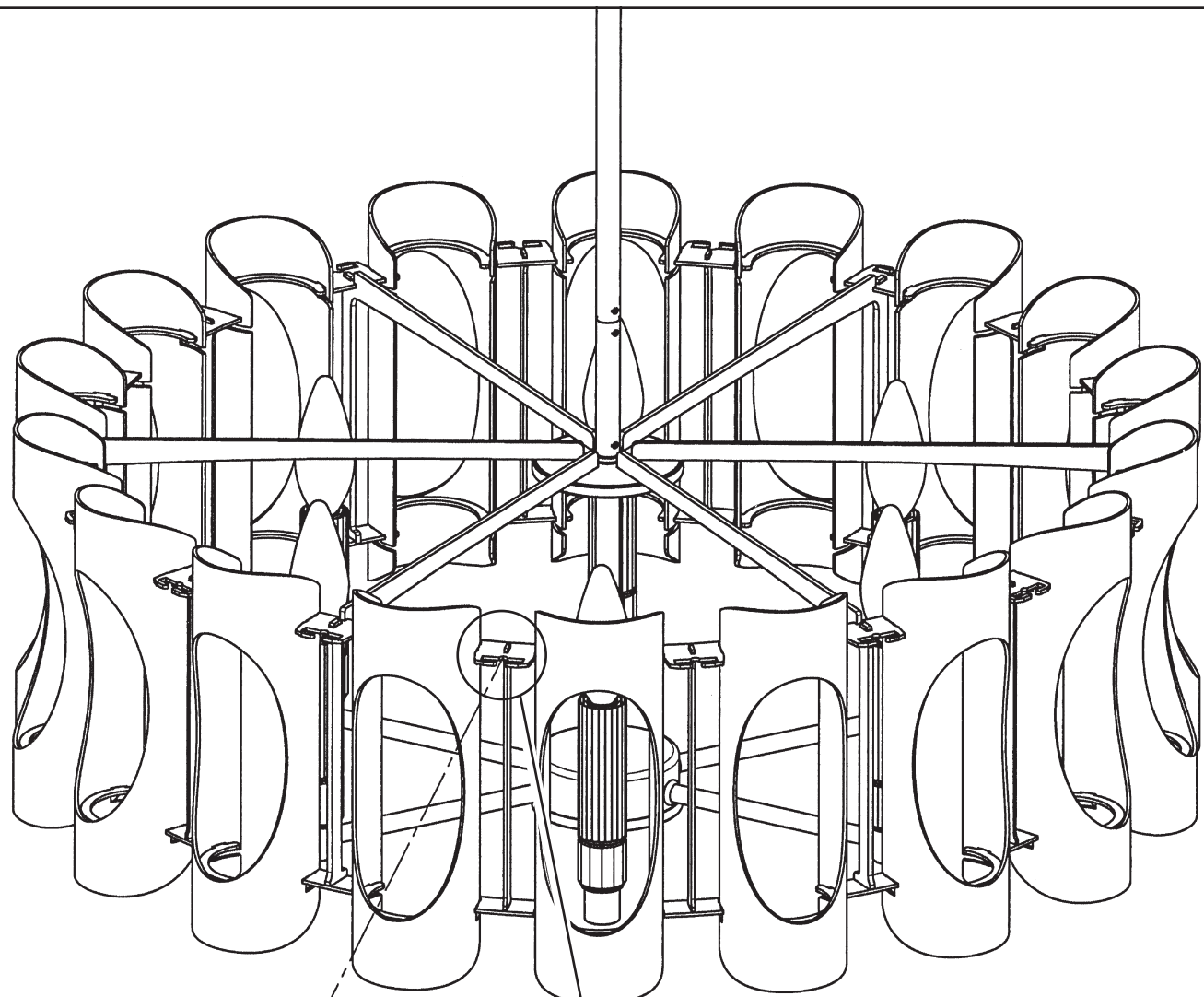
6 Lights
Diameter: 25"
Height: 8-1/2"
Hanging Weight: 26lbs.

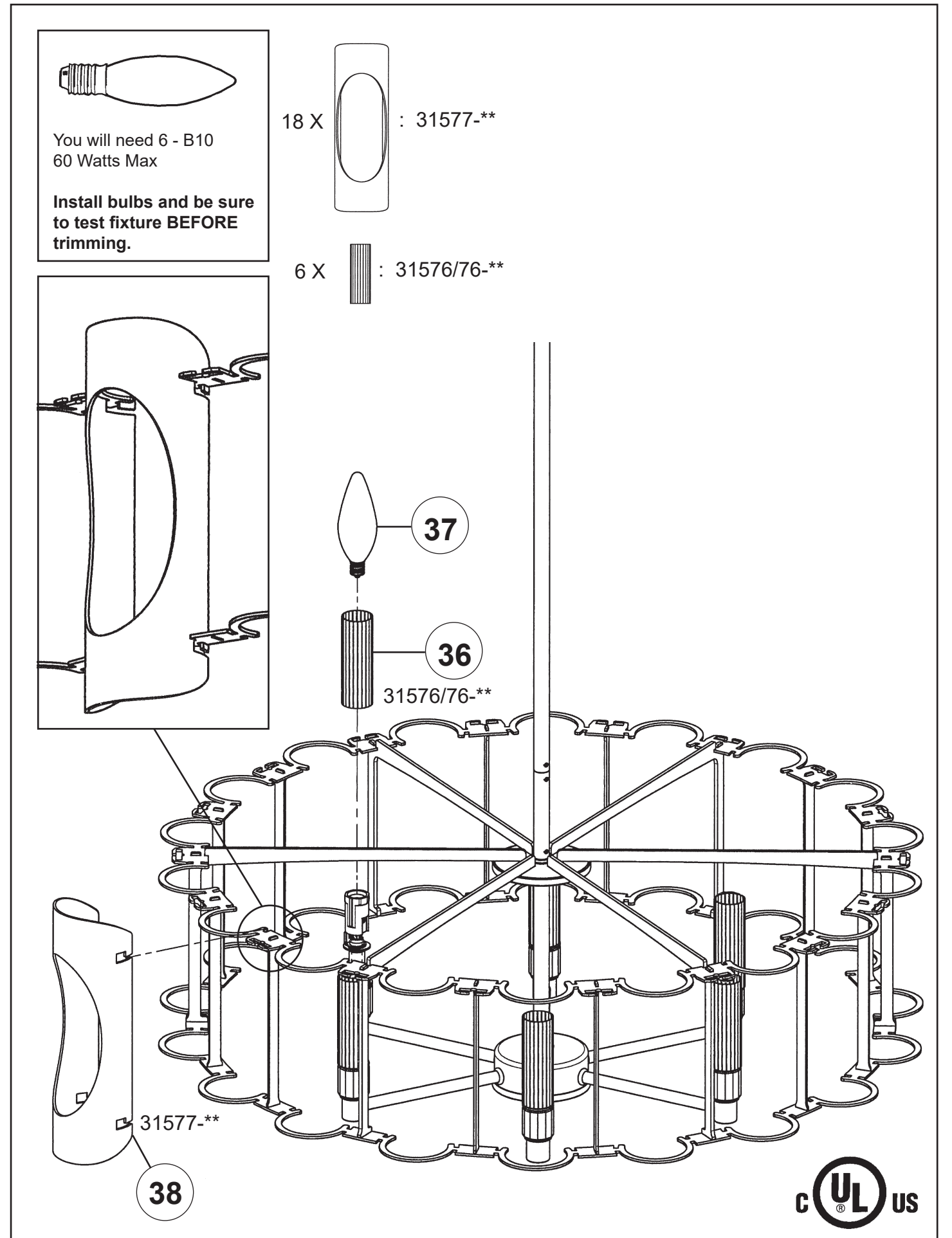
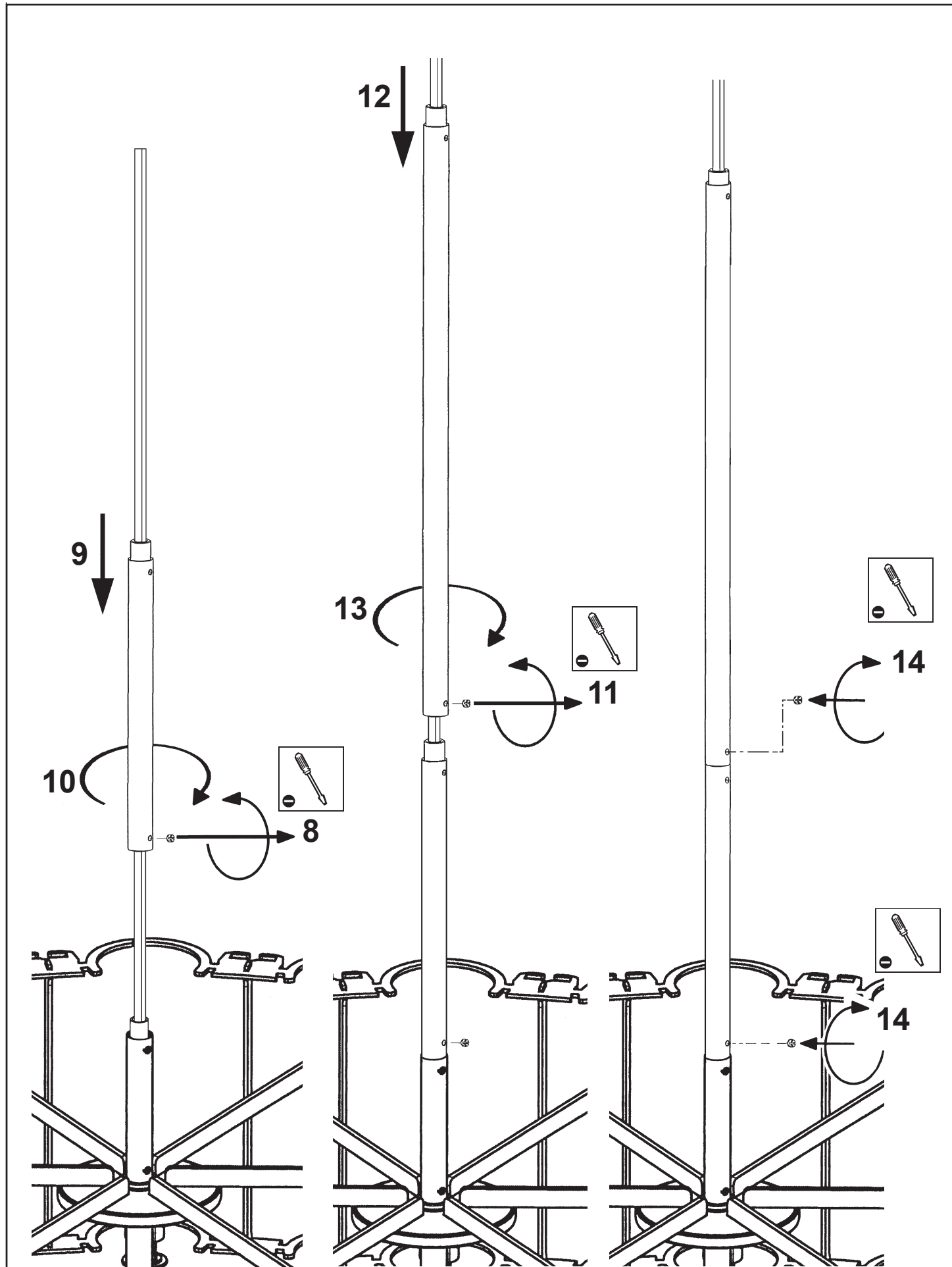


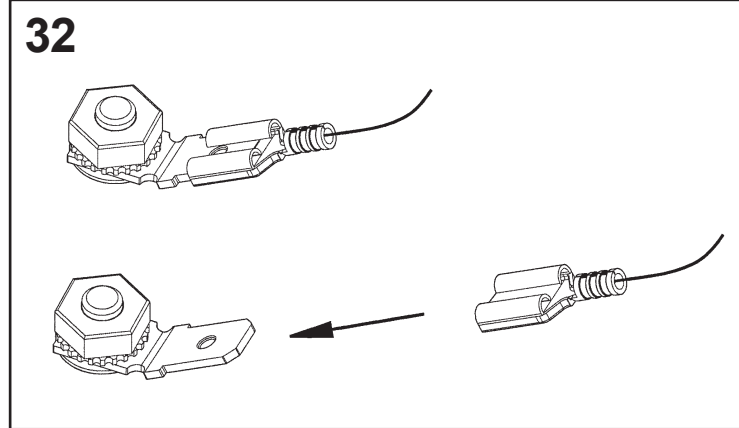
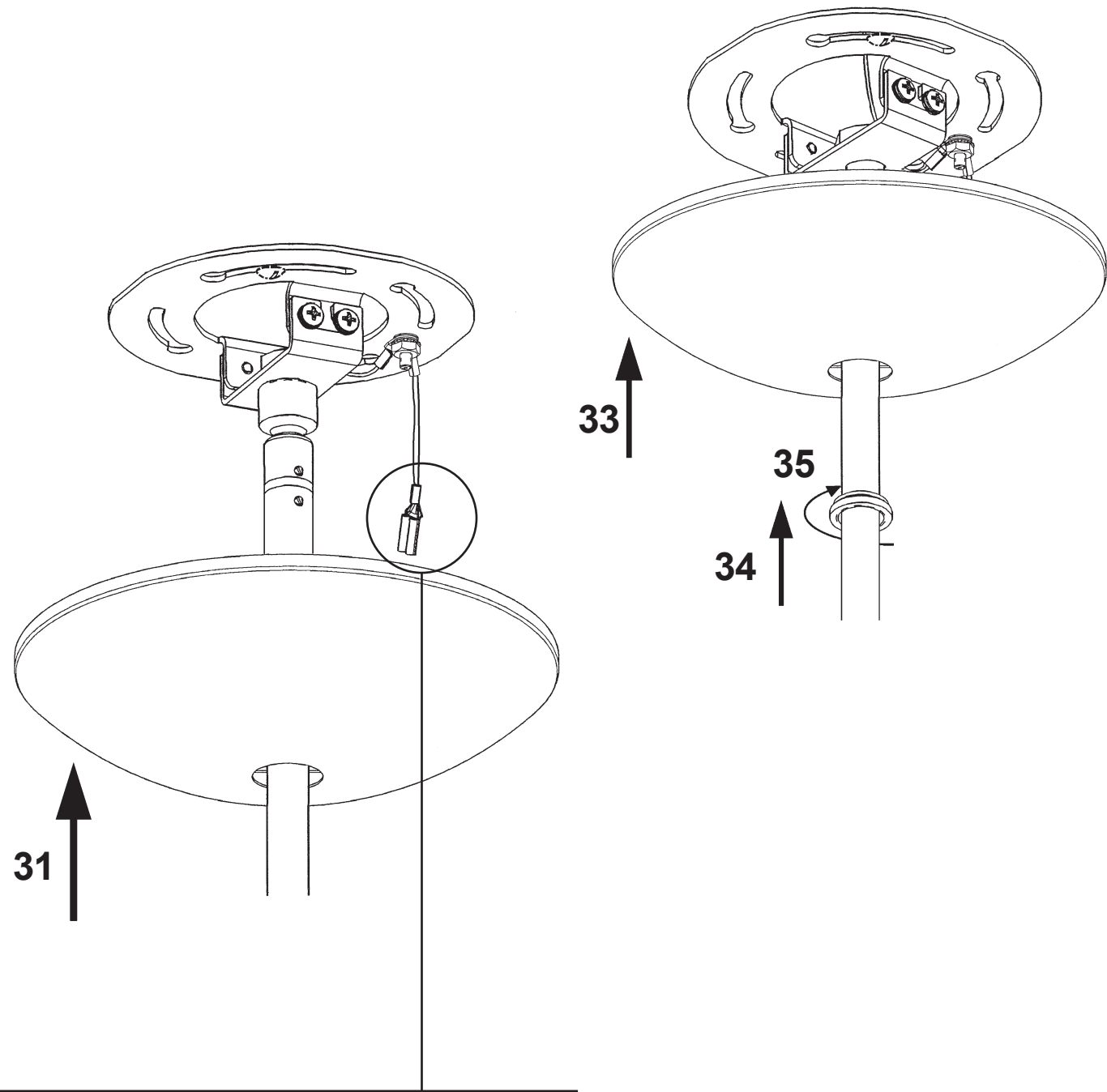
MAX 60 W	110-120 V						

1









1 X  : 11384-**

