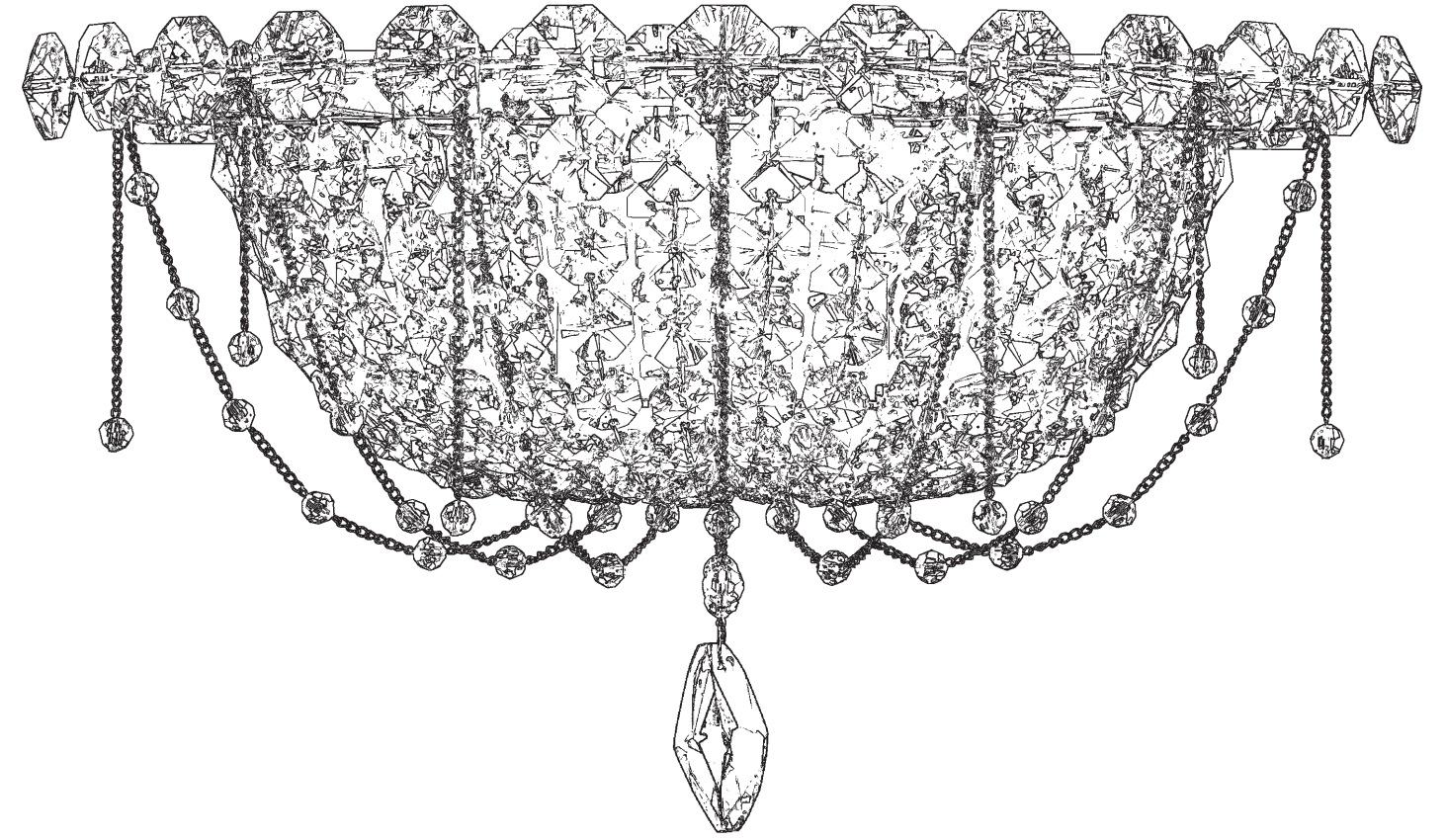


CHRYSALITA CM8519N-__ __O













2 Lights
Length: 17"
Width: 7"
Height: 9-1/2"
Hanging Weight: 5lbs.

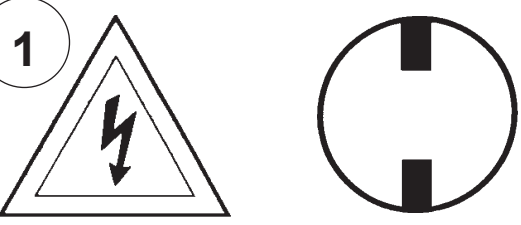
THIS DESIGN IS THE PROPRIETARY
TRADE DRESS/TRADEMARK OF
W SCHONBEK LLC.

 **SCHONBEK** | 1870

 **SCHONBEK** | 1870

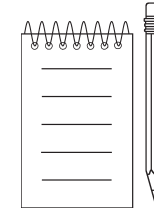
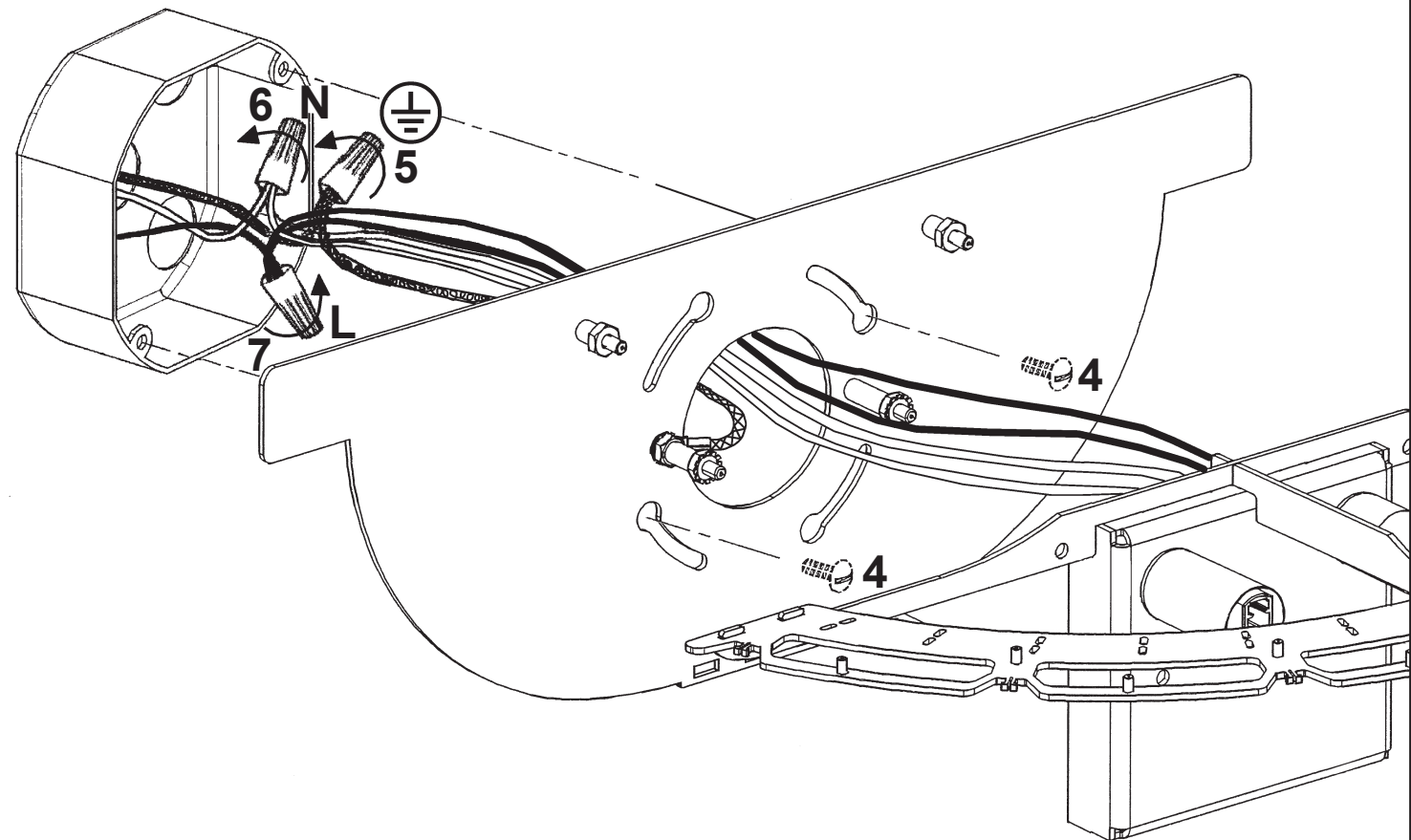
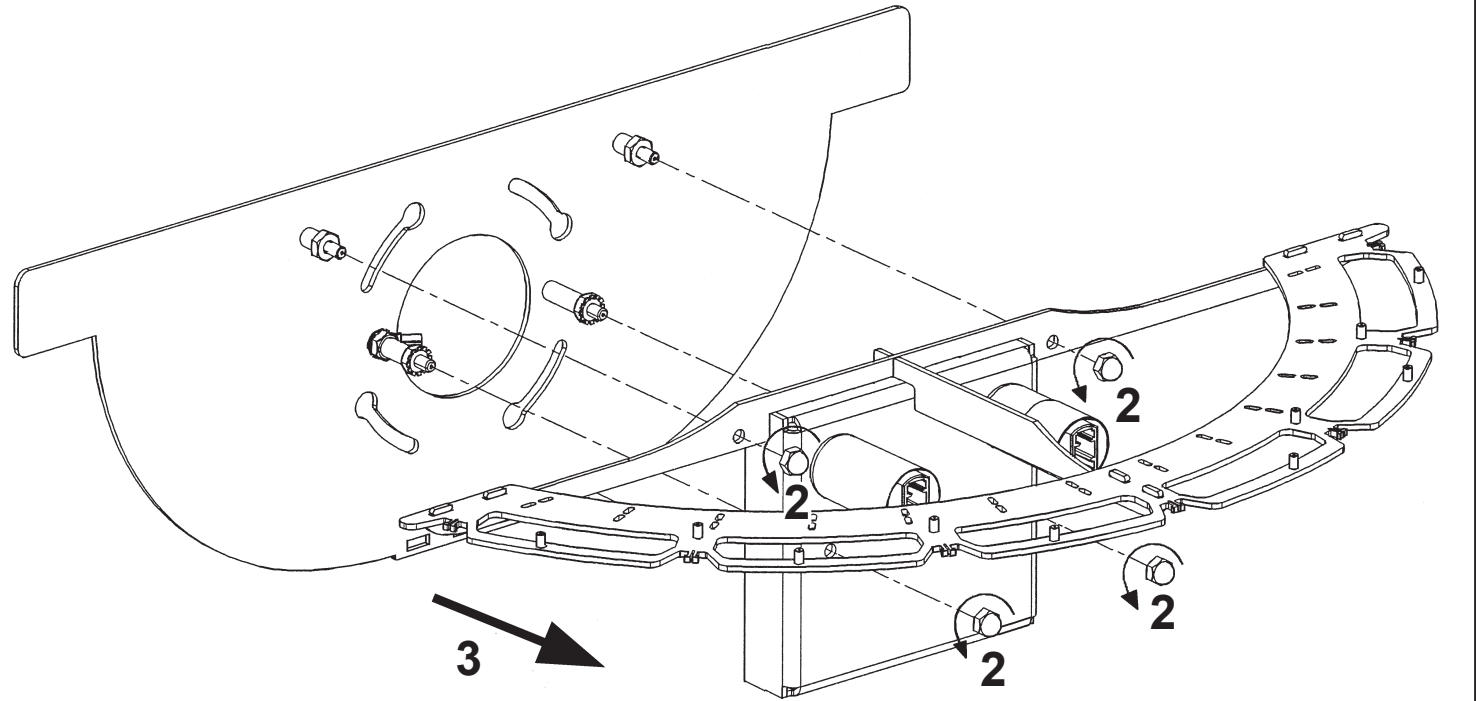
								
MAX 40 W		110-120 V						

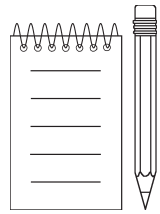
WARNING:



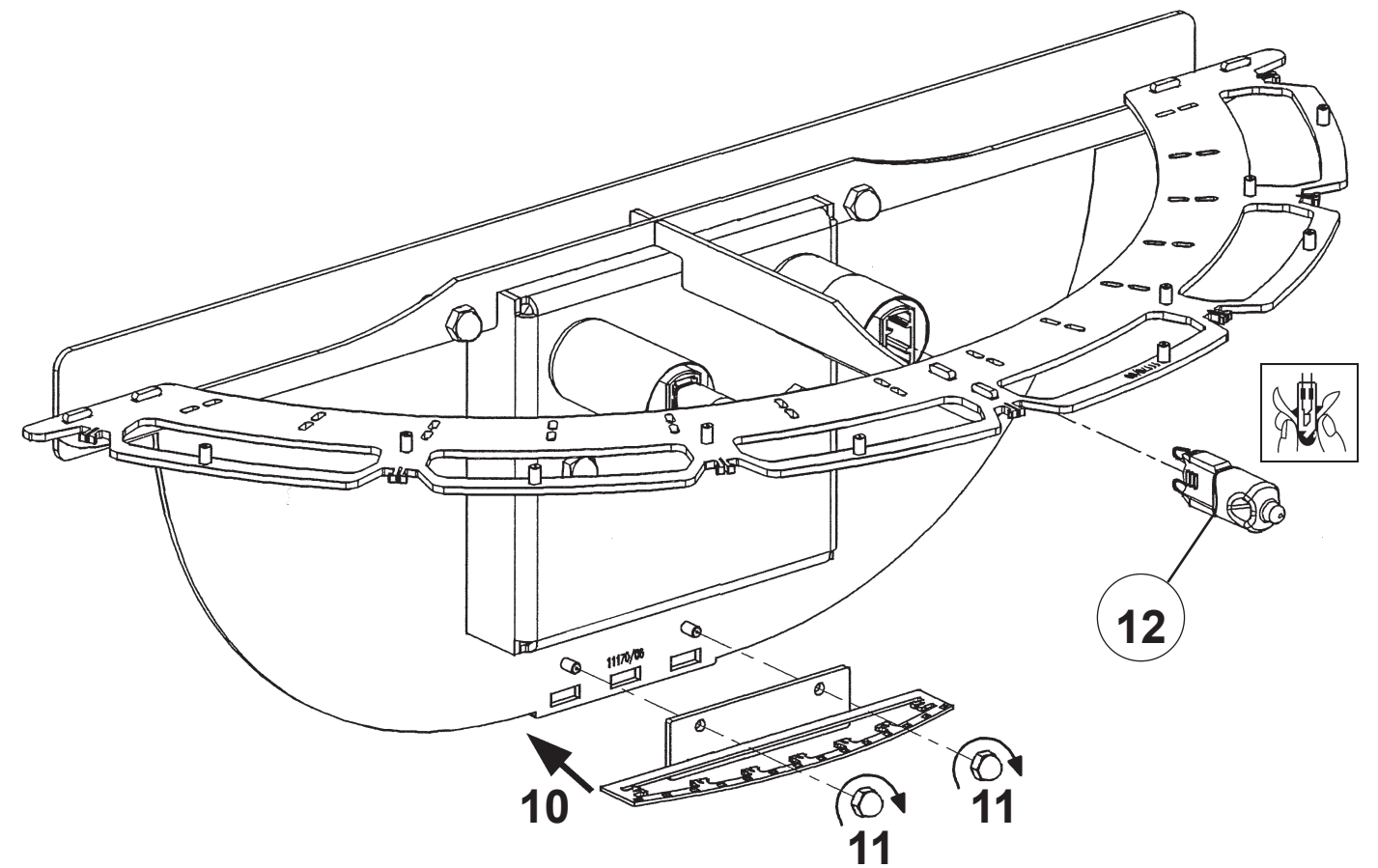
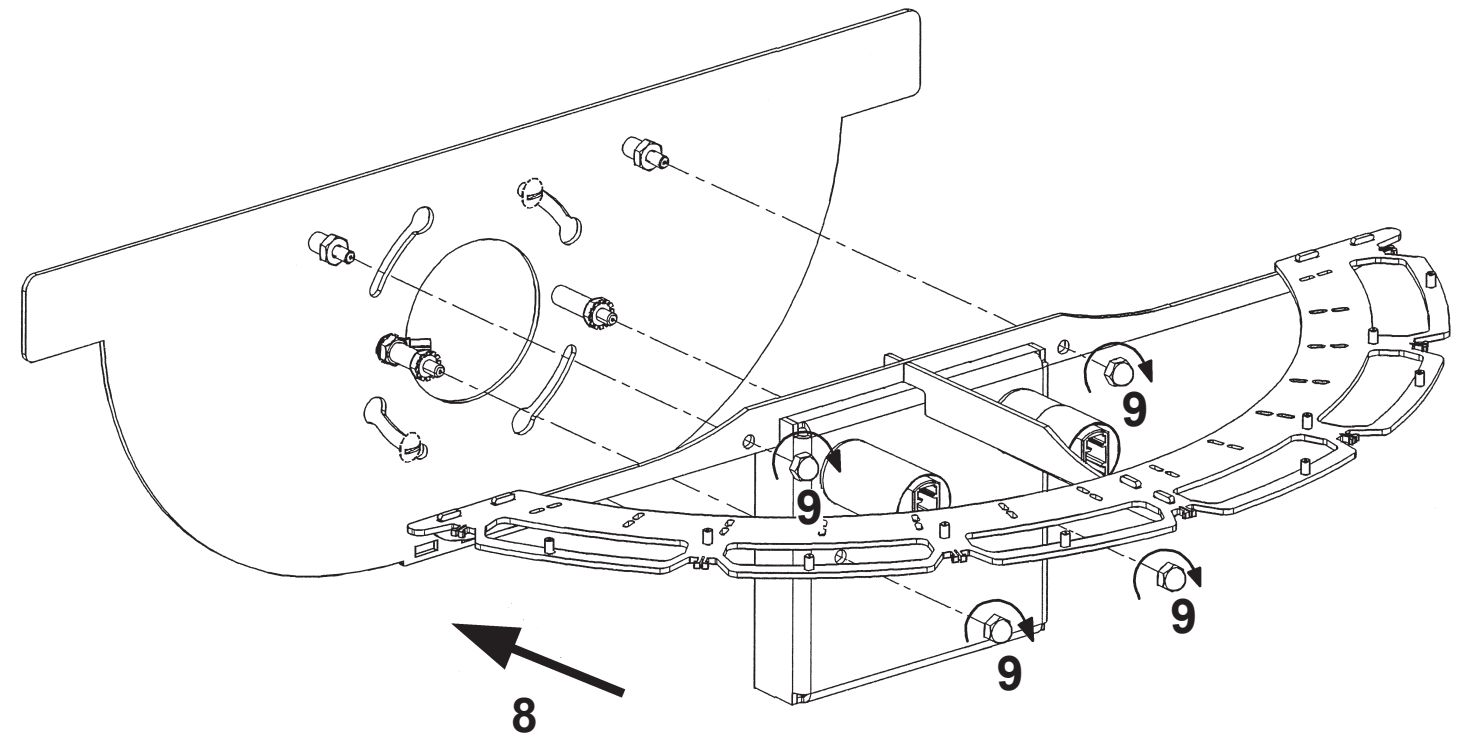
1 Electrical Danger Turn Power Off

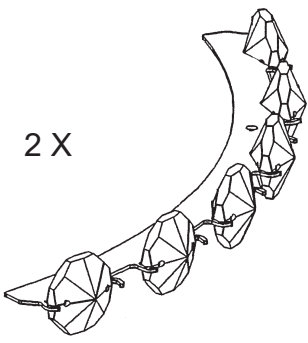
All electrical components must be installed by a licensed electrician in accordance with the National Electric Code and the appropriate local electrical codes.





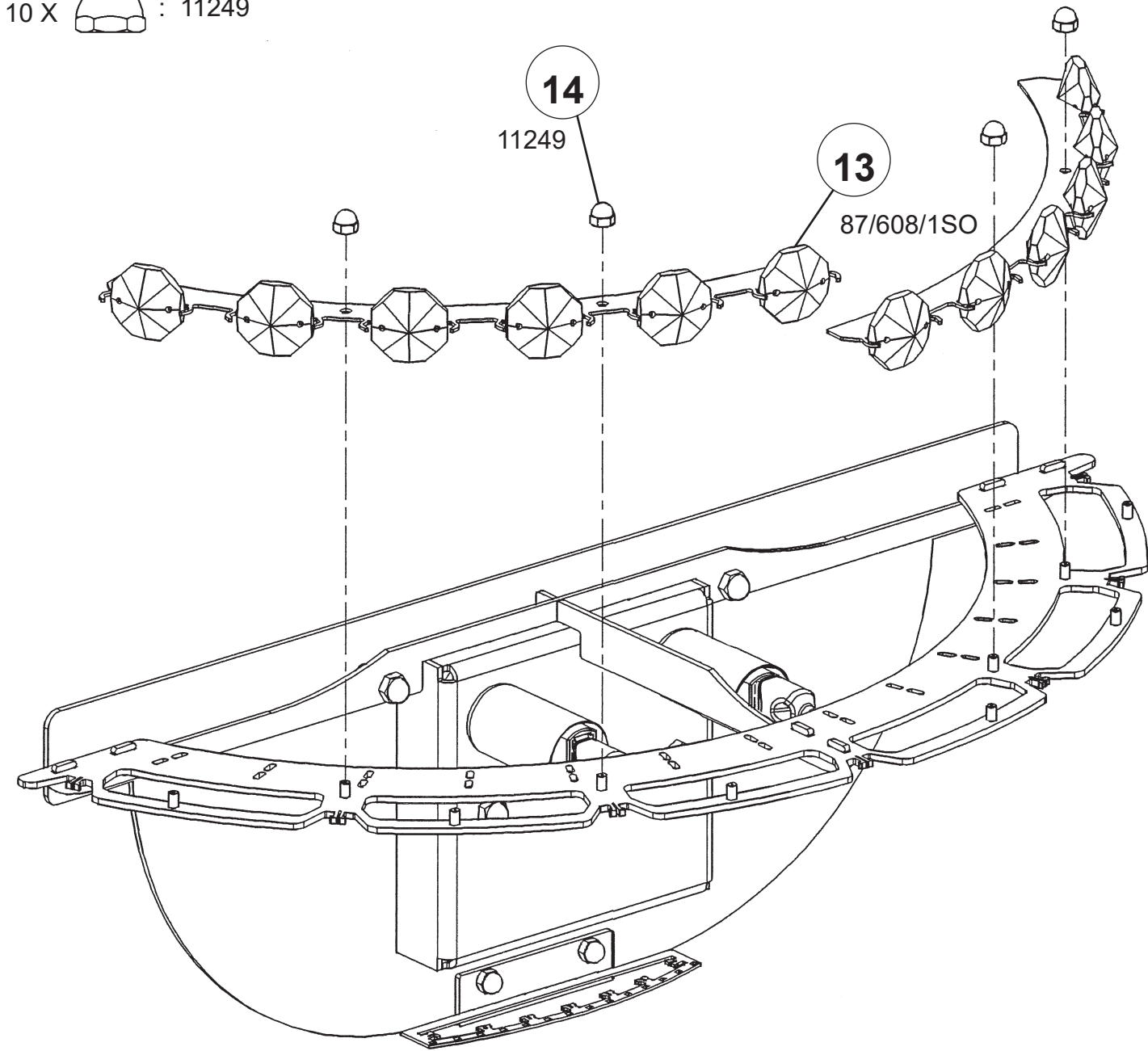
2 X  : G9 40W MAX 





2 X : 87/608/1SO

10 X : 11249

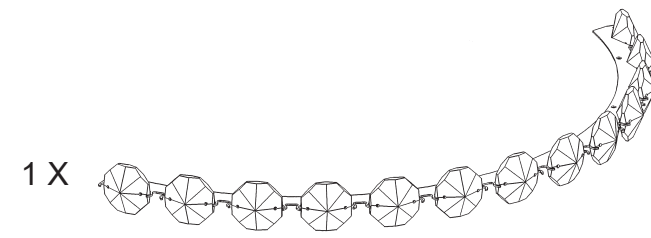


14

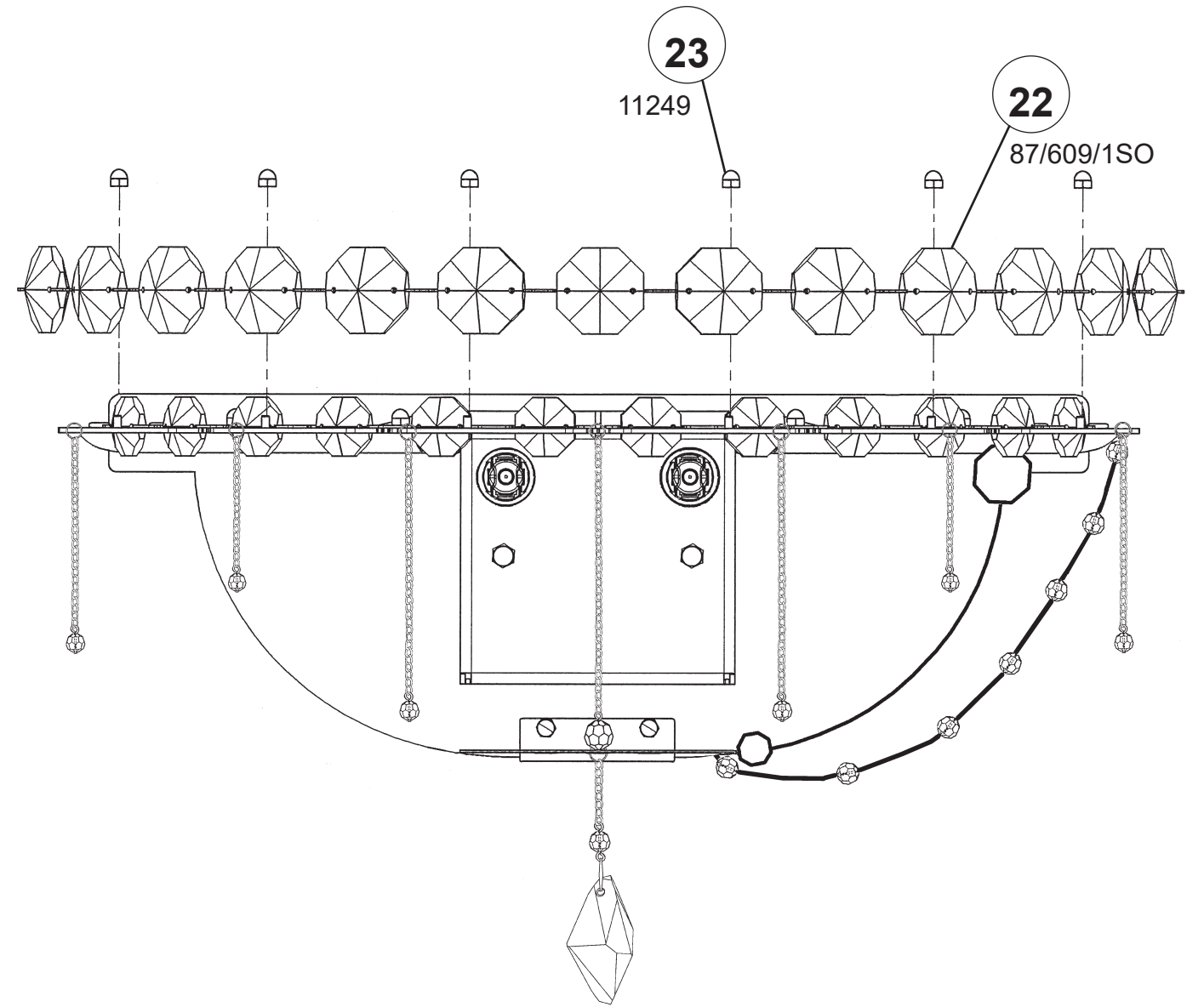
11249

13

87/608/1SO



1 X : 87/609/1SO

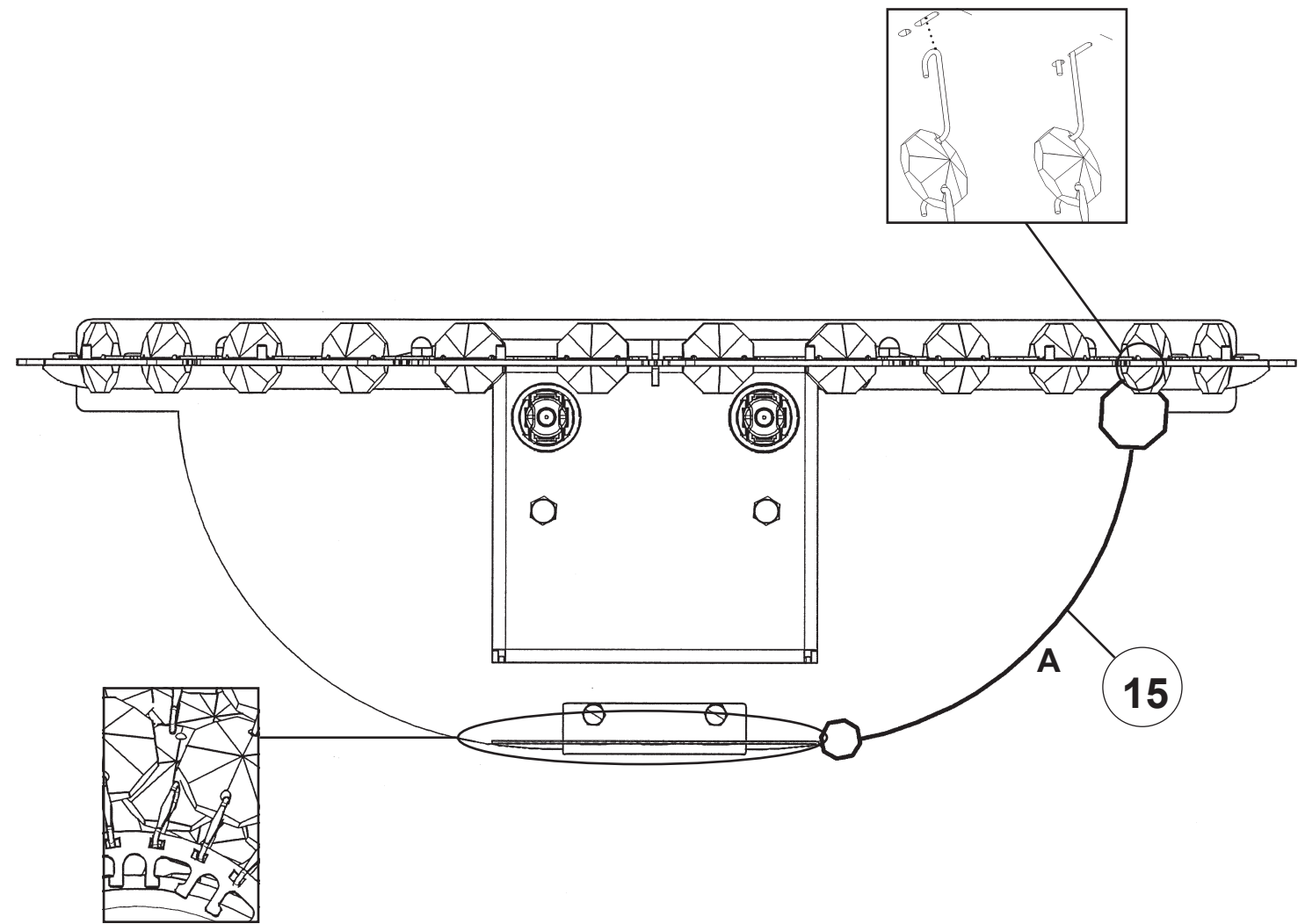
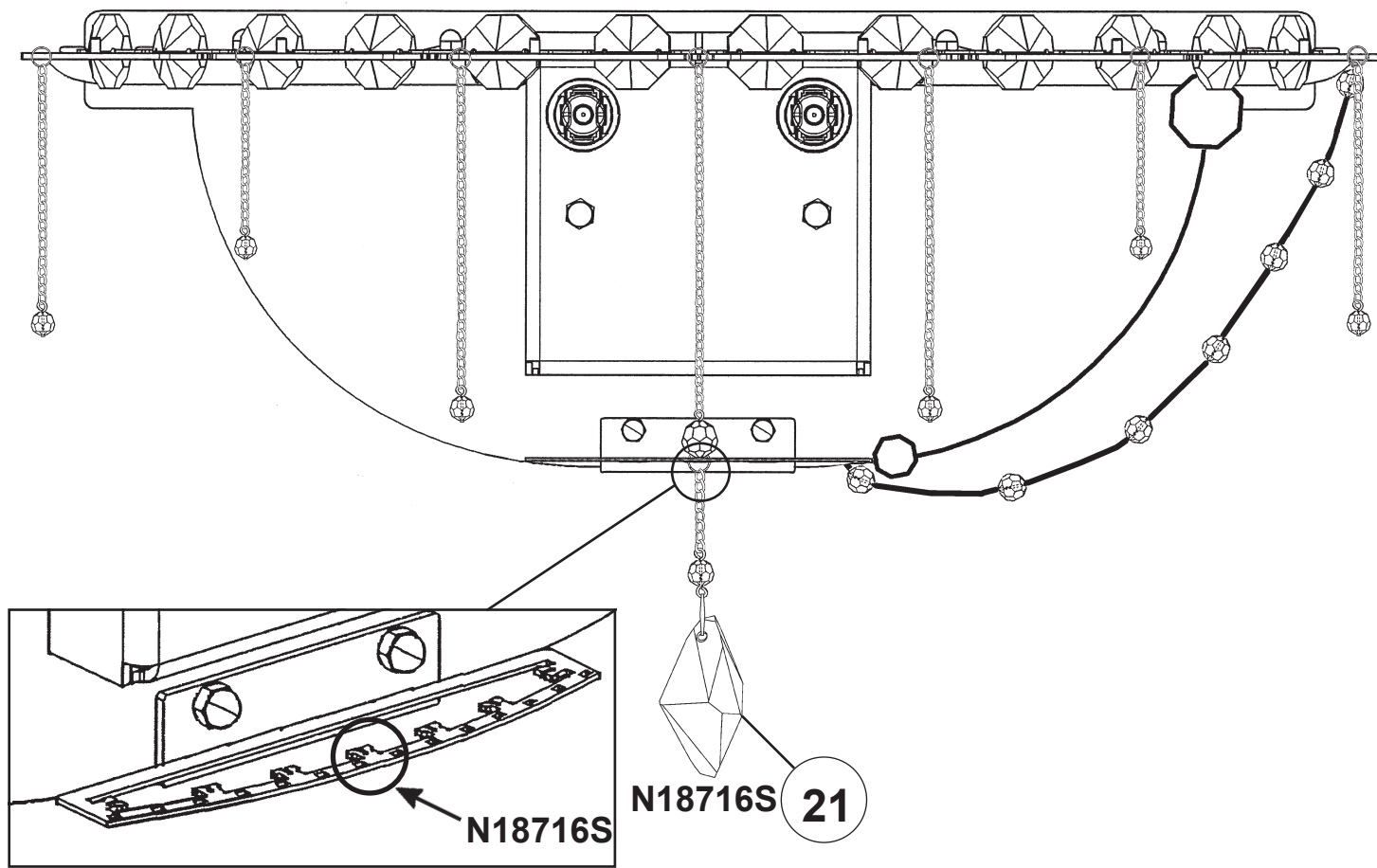


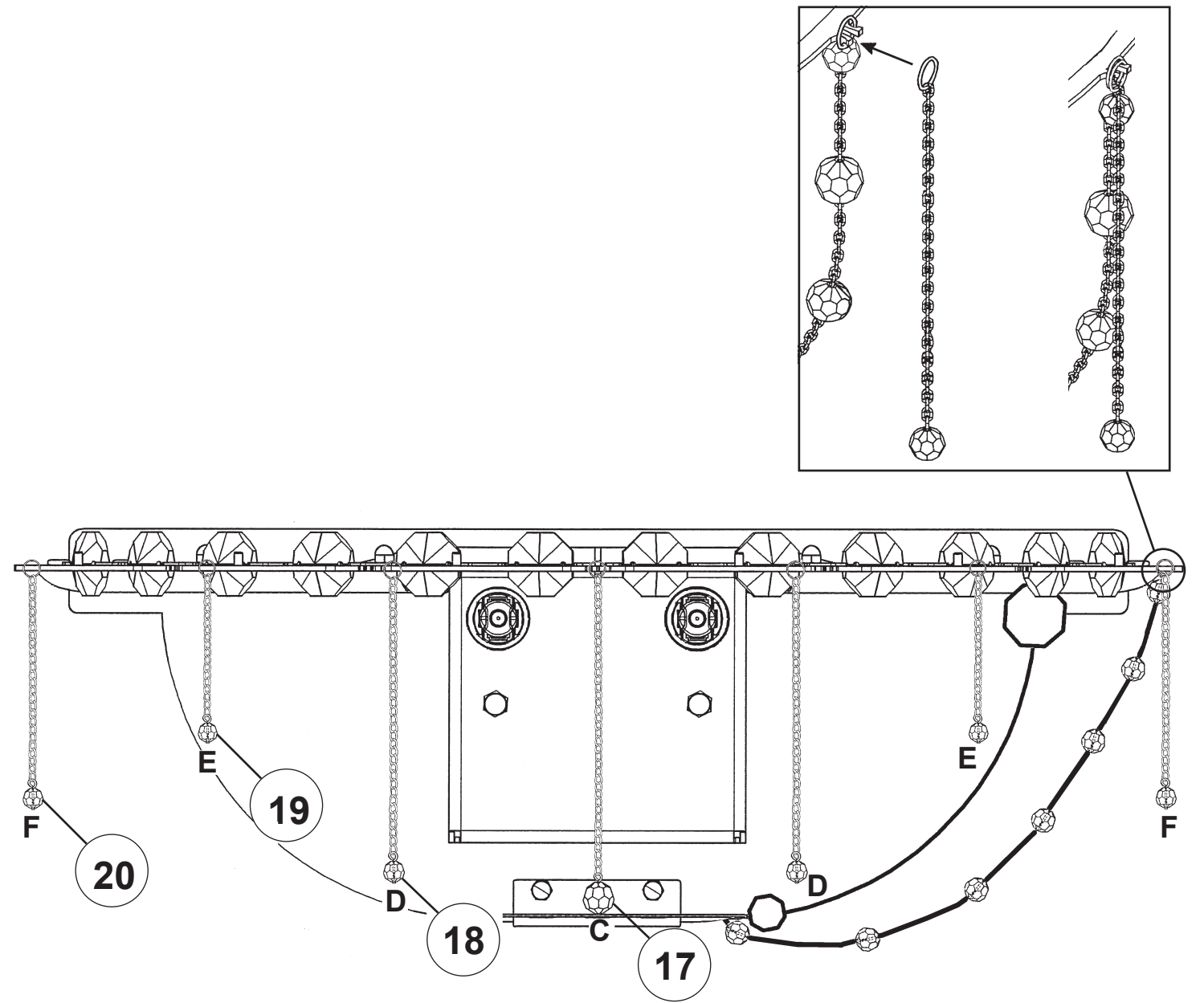
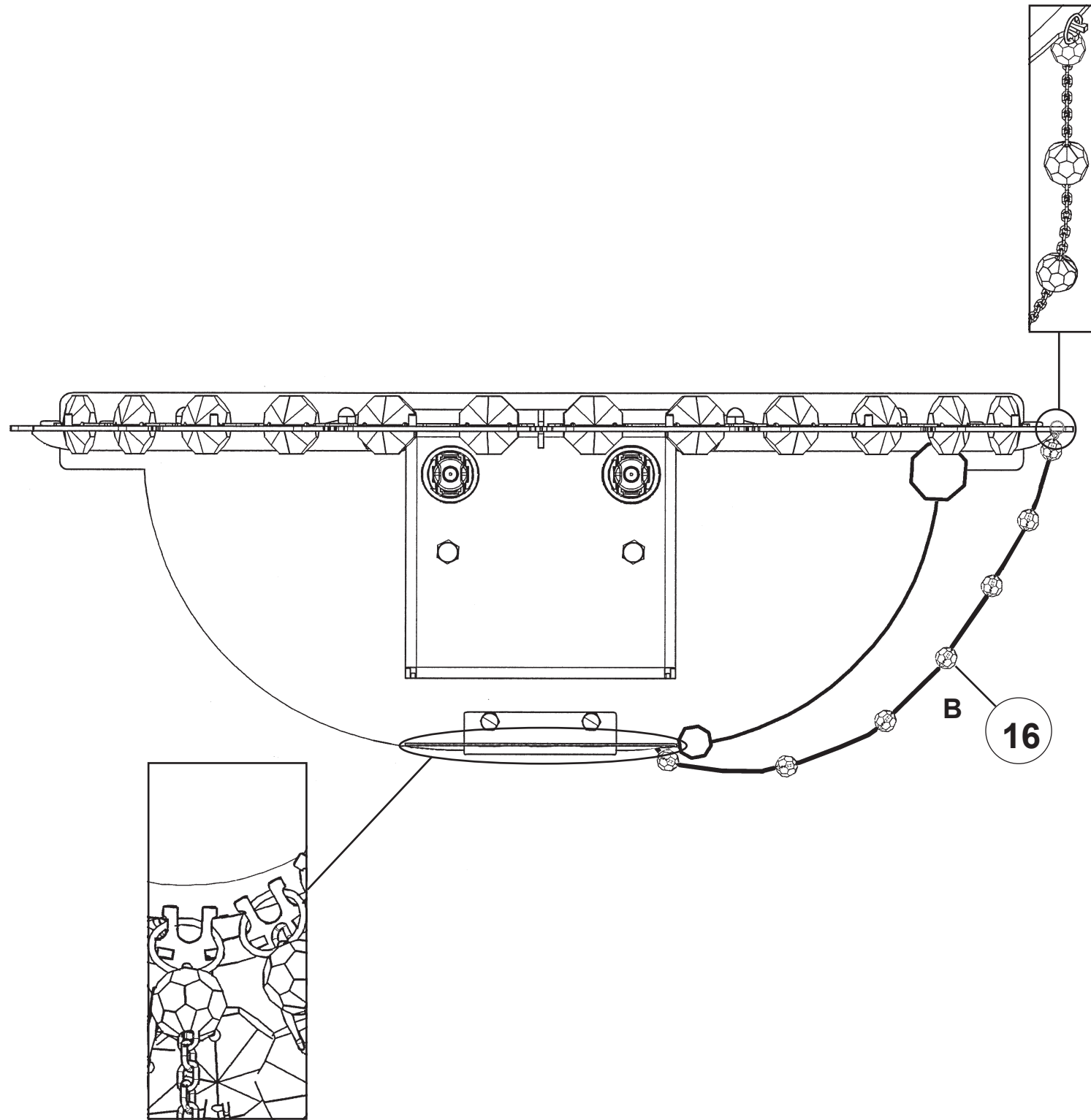
23

11249

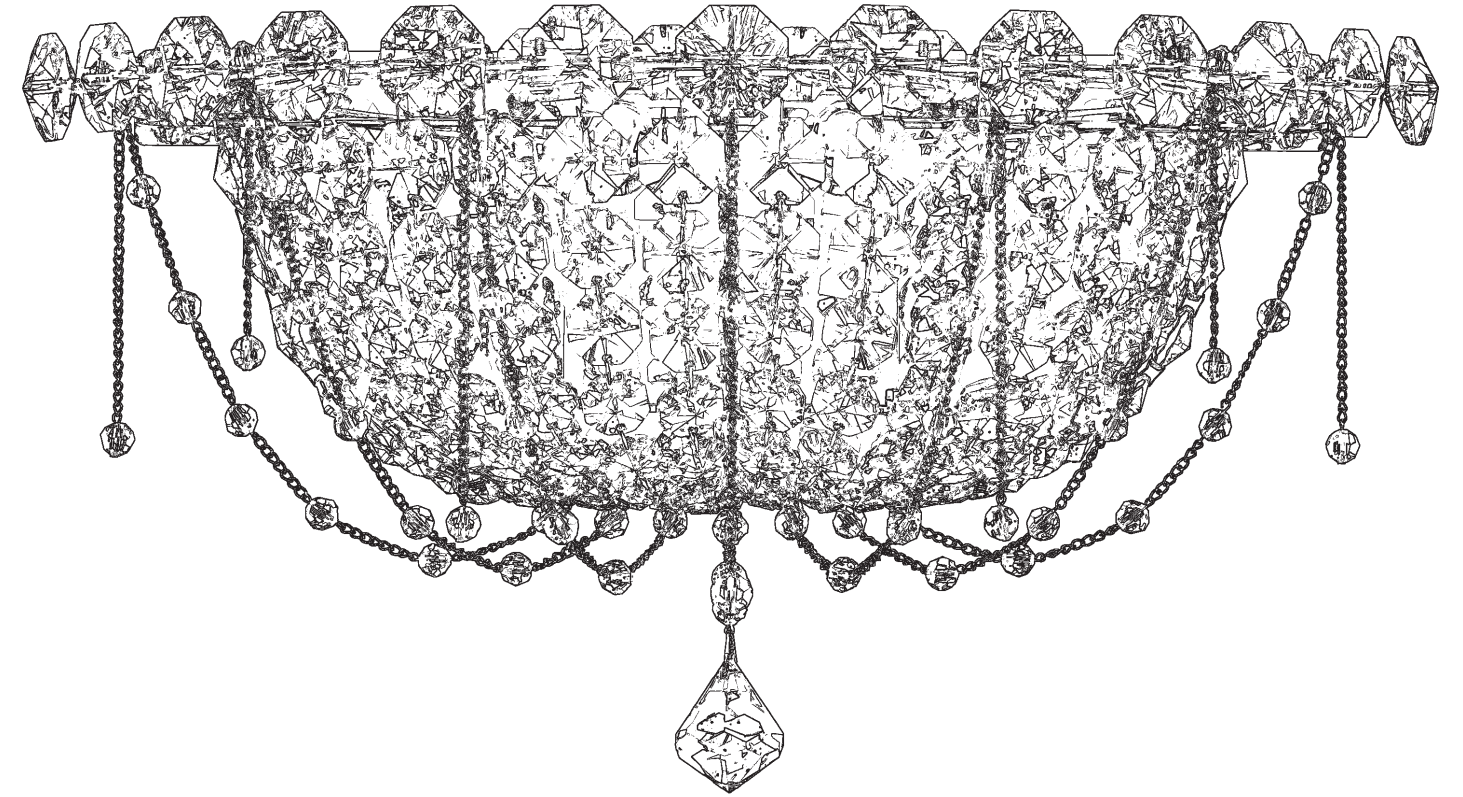
22

87/609/1SO





CHRYSALITA CM8519N-__ __R












2 Lights
Length: 17"
Width: 7"
Height: 9-1/2"
Hanging Weight: 5lbs.

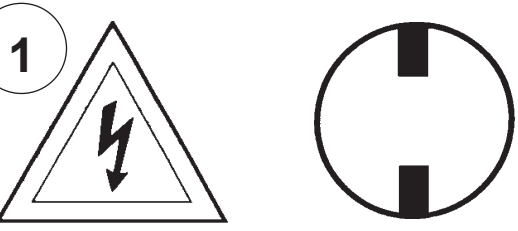
THIS DESIGN IS THE PROPRIETARY
TRADE DRESS/TRADEMARK OF
W SCHONBEK LLC.

 **SCHONBEK** | 1870

 **SCHONBEK** | 1870

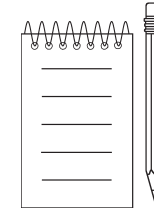
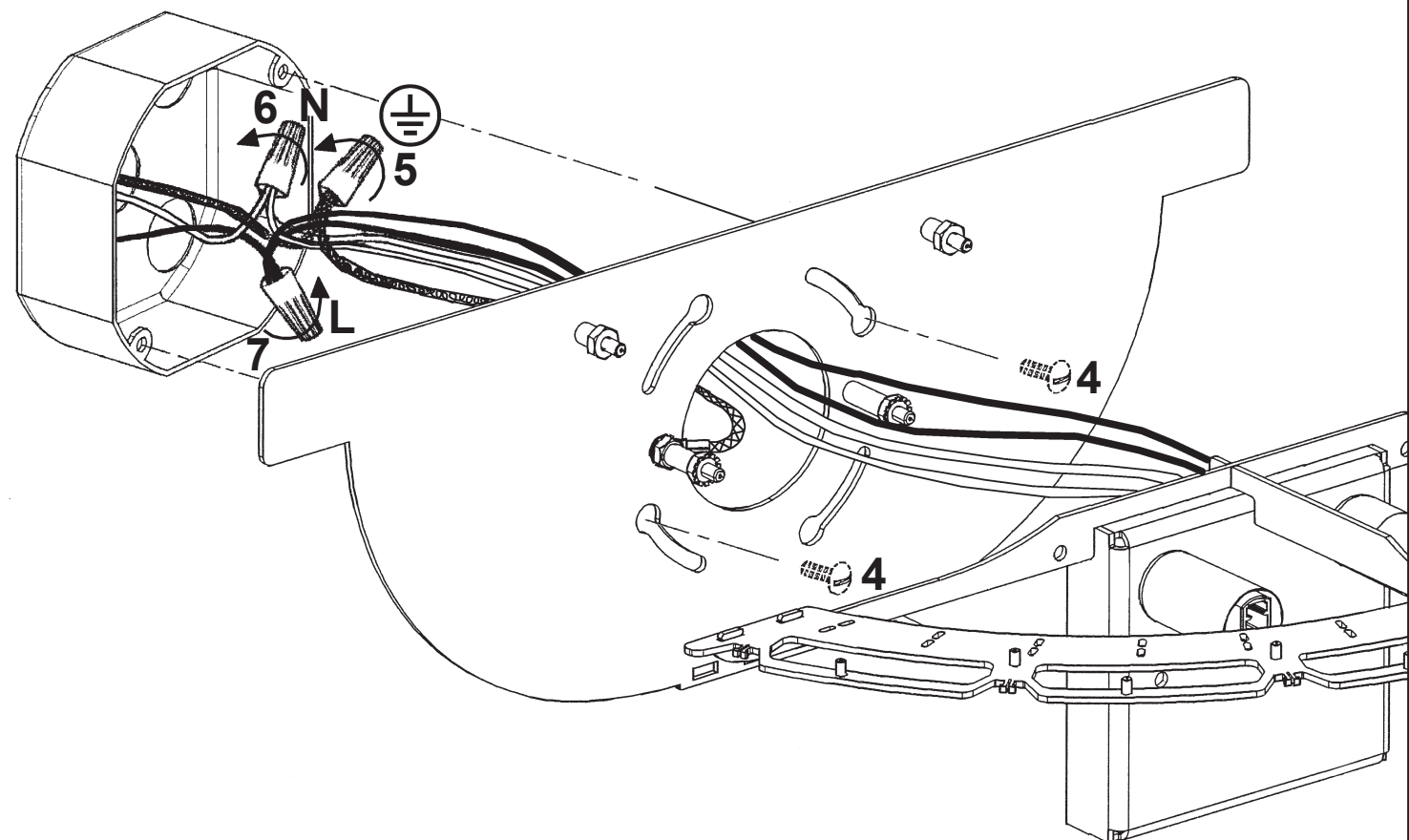
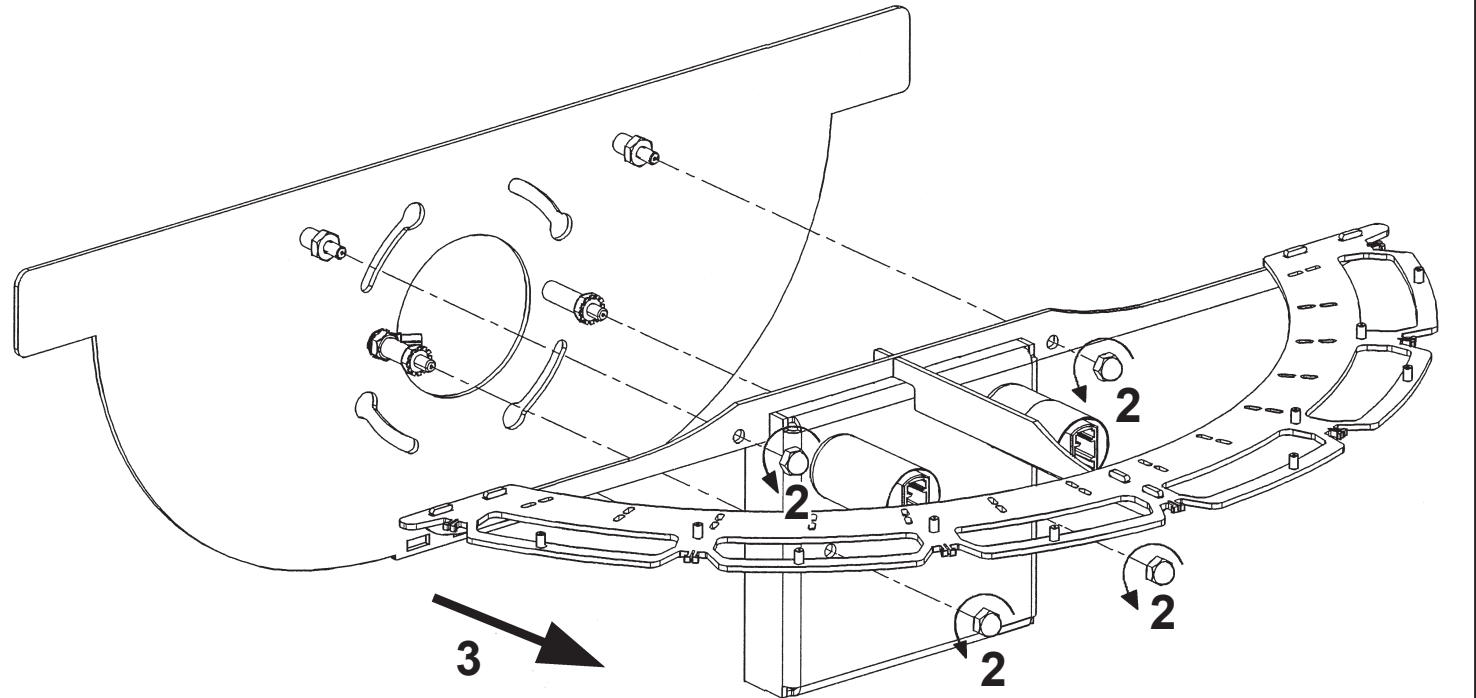
			S					
MAX 40 W	110-120 V							

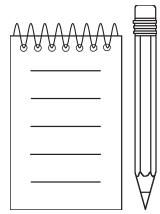
WARNING:



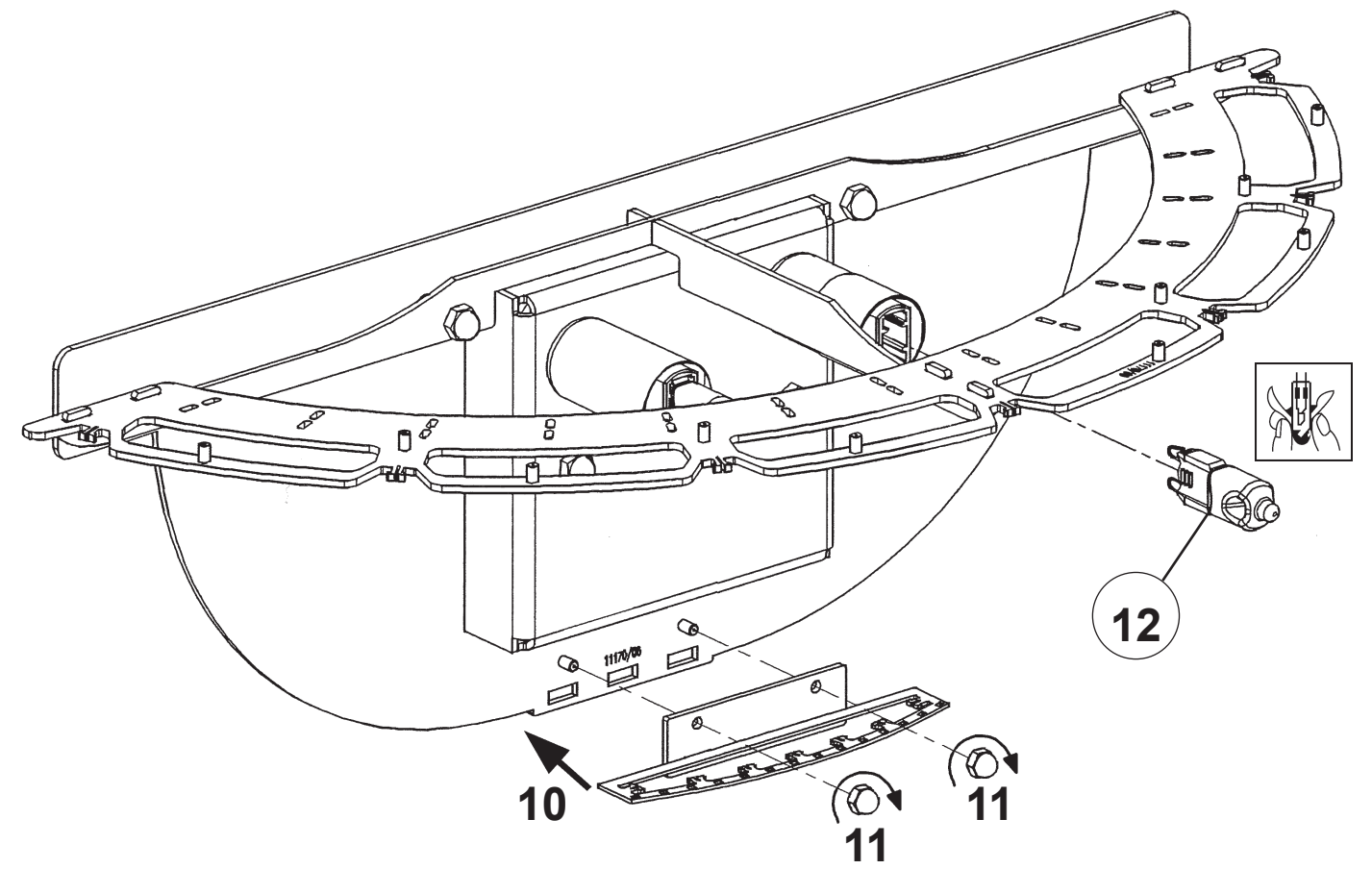
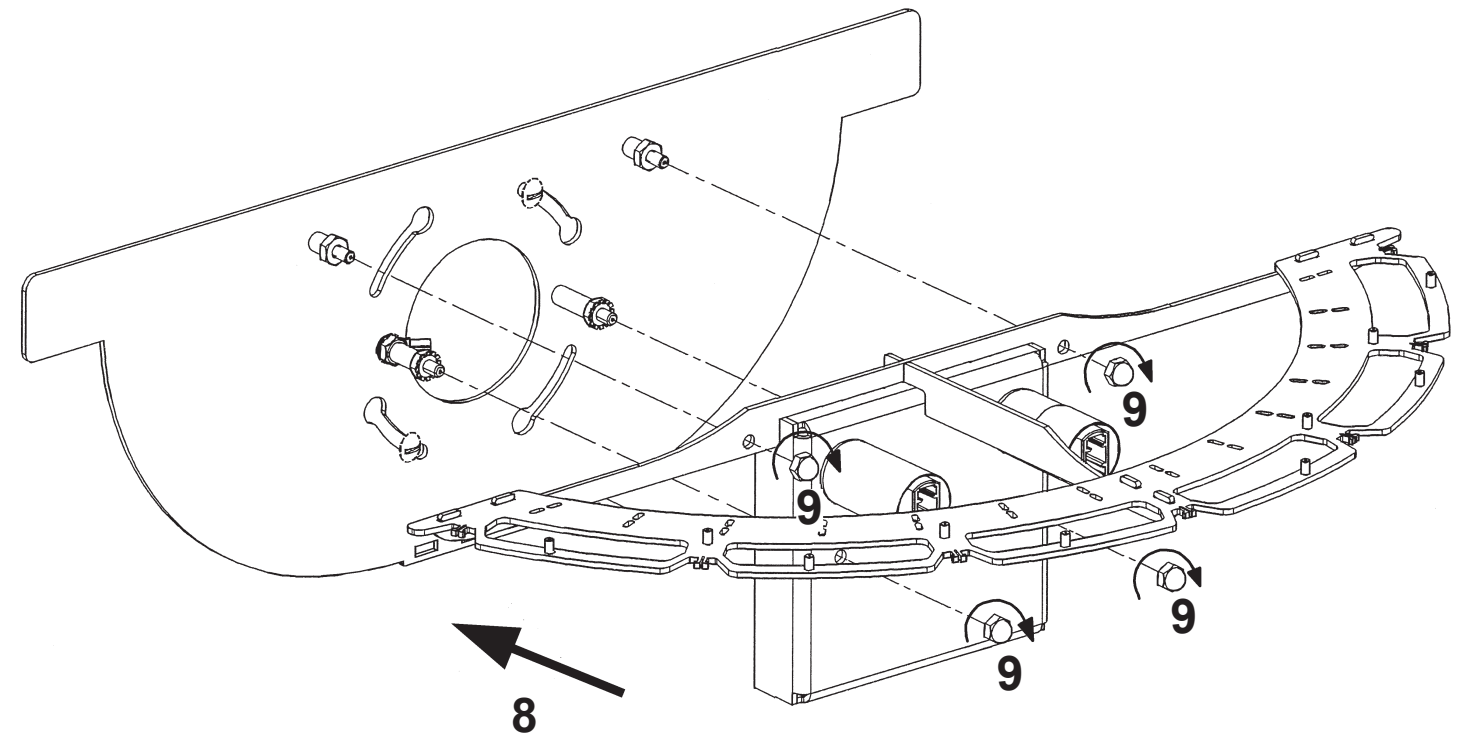
1 Electrical Danger Turn Power Off

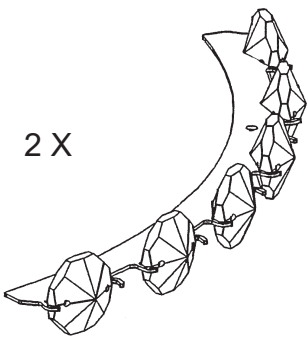
All electrical components must be installed by a licensed electrician in accordance with the National Electric Code and the appropriate local electrical codes.





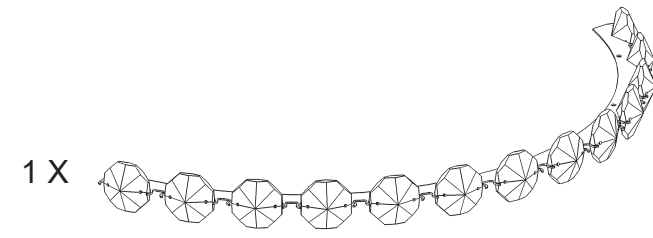
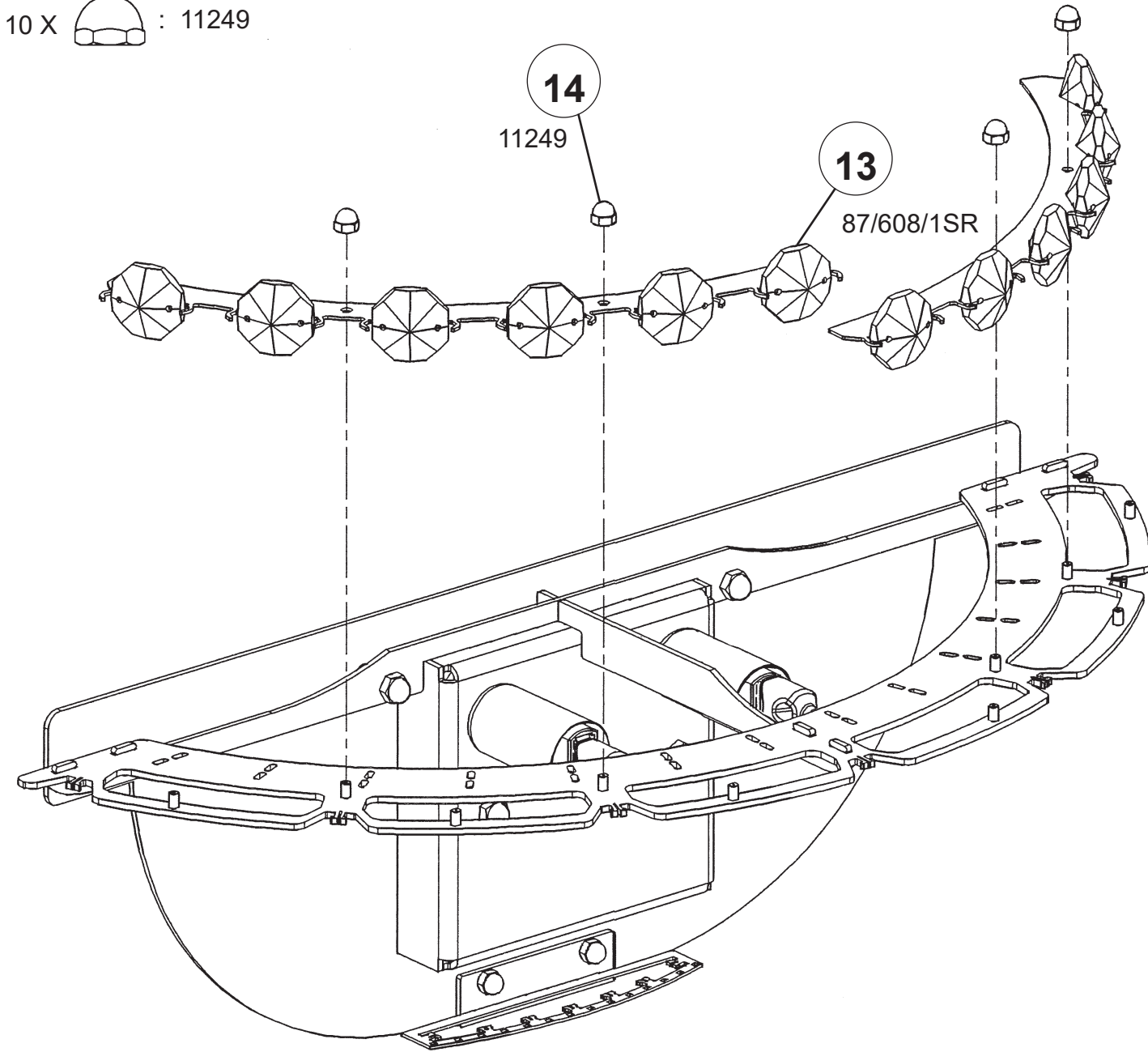
2 X  : G9 40W MAX 





2 X : 87/608/1SR

10 X : 11249



1 X : 87/609/1SR

