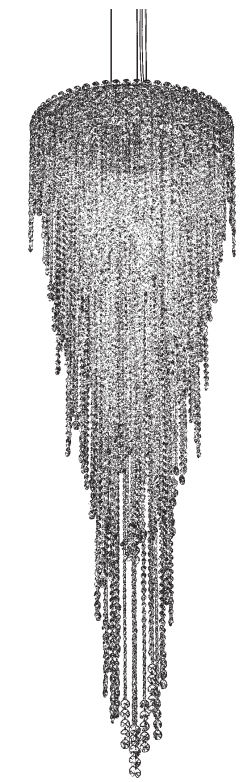


 **SCHONBEK** | 1870










CHANTANT
CH2413N- _ _ _ O



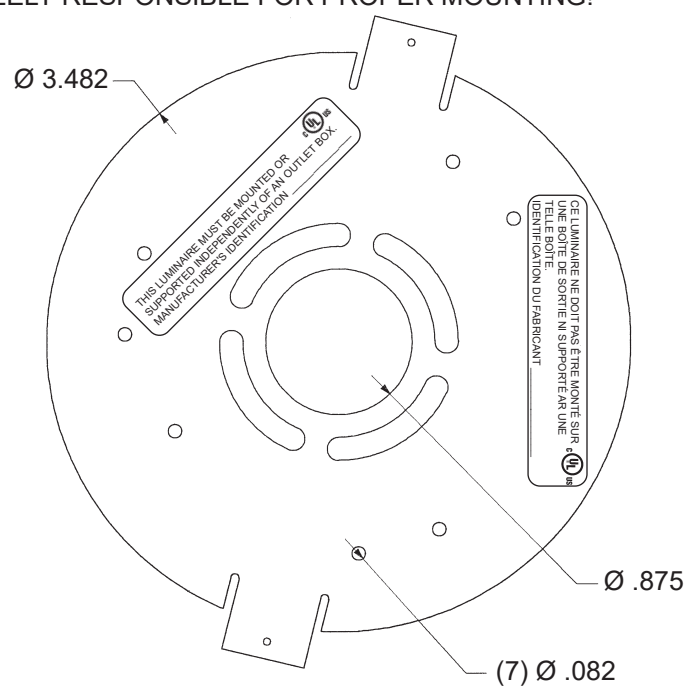
THIS DESIGN IS THE PROPRIETARY
TRADE DRESS/TRADEMARK OF
W SCHONBEK LLC.

6 Lights
Diameter: 24"
Height: 79"
Hanging Weight: 56lbs.

 **SCHONBEK** | 1870

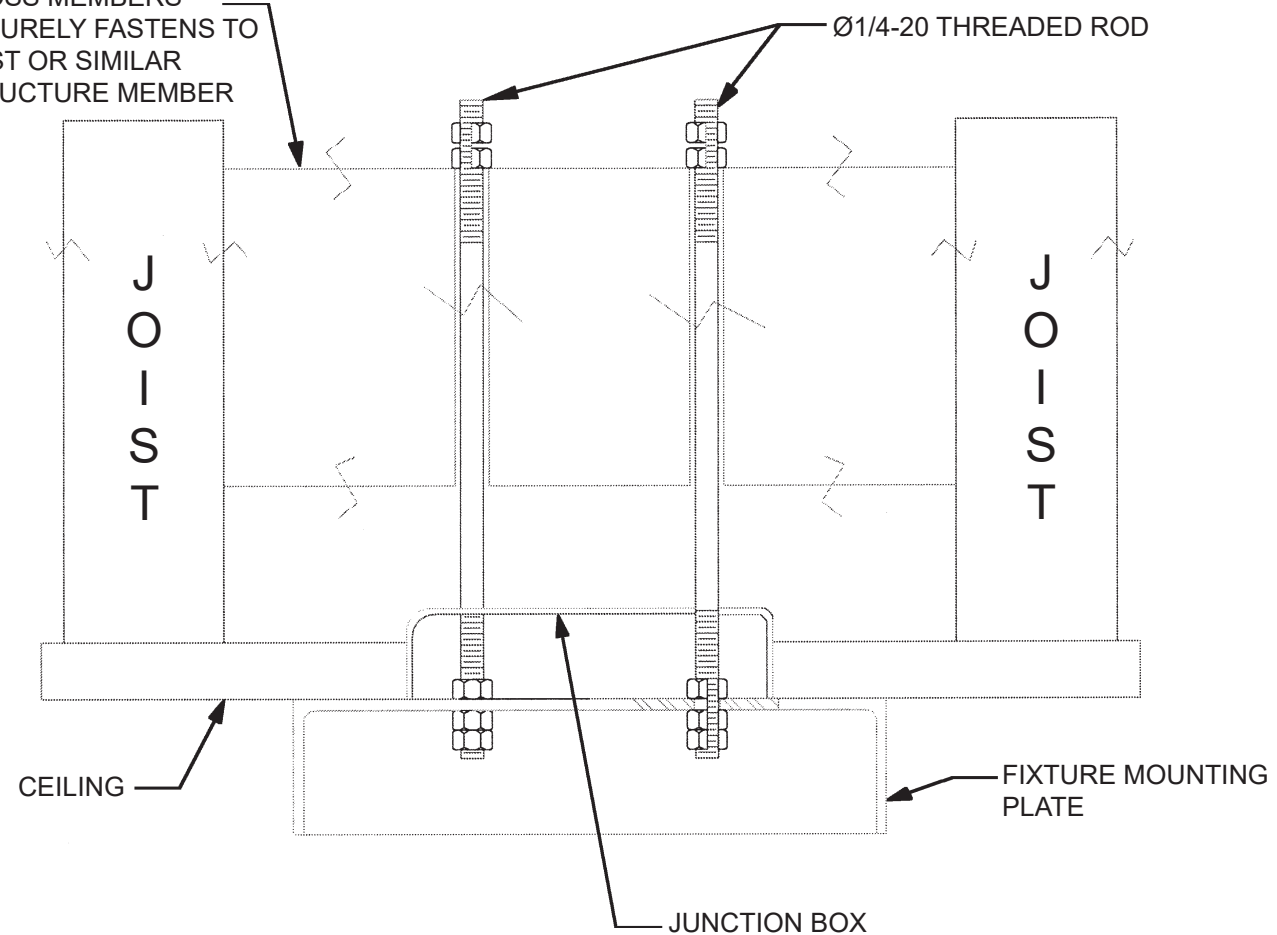
			S					
MAX 50 W	110-120 V							

NOTE: INSTALLER IS SOLELY RESPONSIBLE FOR PROPER MOUNTING!

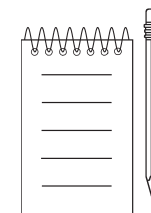


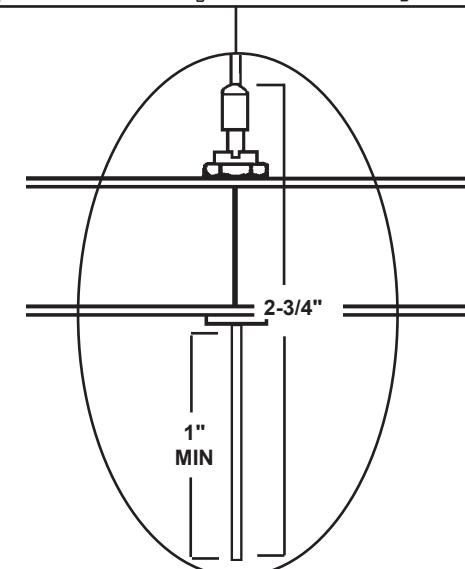
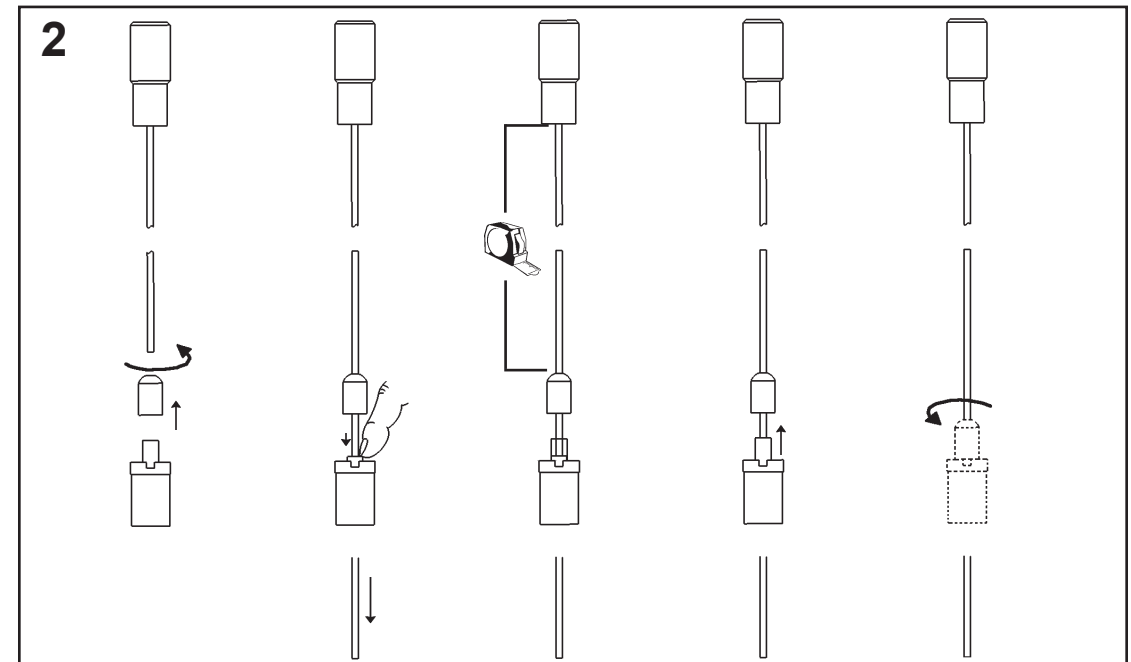
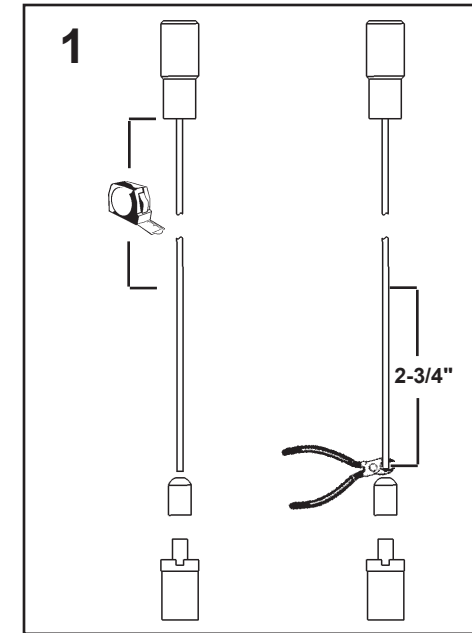
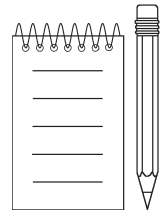
PLAN VIEW OF MOUNTING BRACKET

CROSS MEMBERS SECURELY FASTENS TO JOIST OR SIMILAR STRUCTURE MEMBER

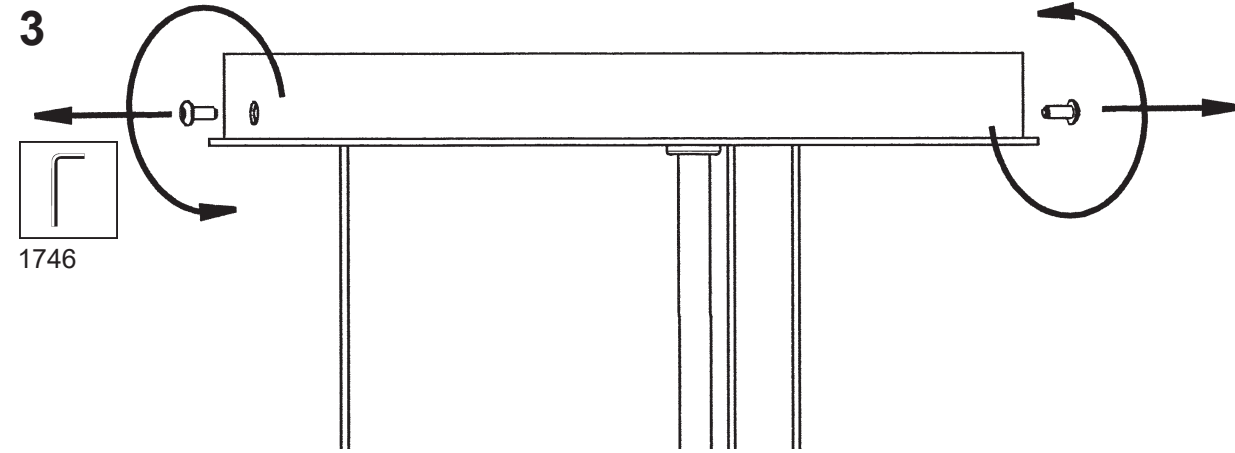


WARNING:
MOUNTING CONFIGURATION AND HARDWARE MUST HOLD 4X THE WEIGHT OF THE FIXTURE. MOUNTING DESIGN AND FIXTURE INSTALLATION SHOULD BE CONDUCTED BY A QUALIFIED LICENSED PROFESSIONAL.

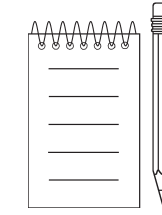
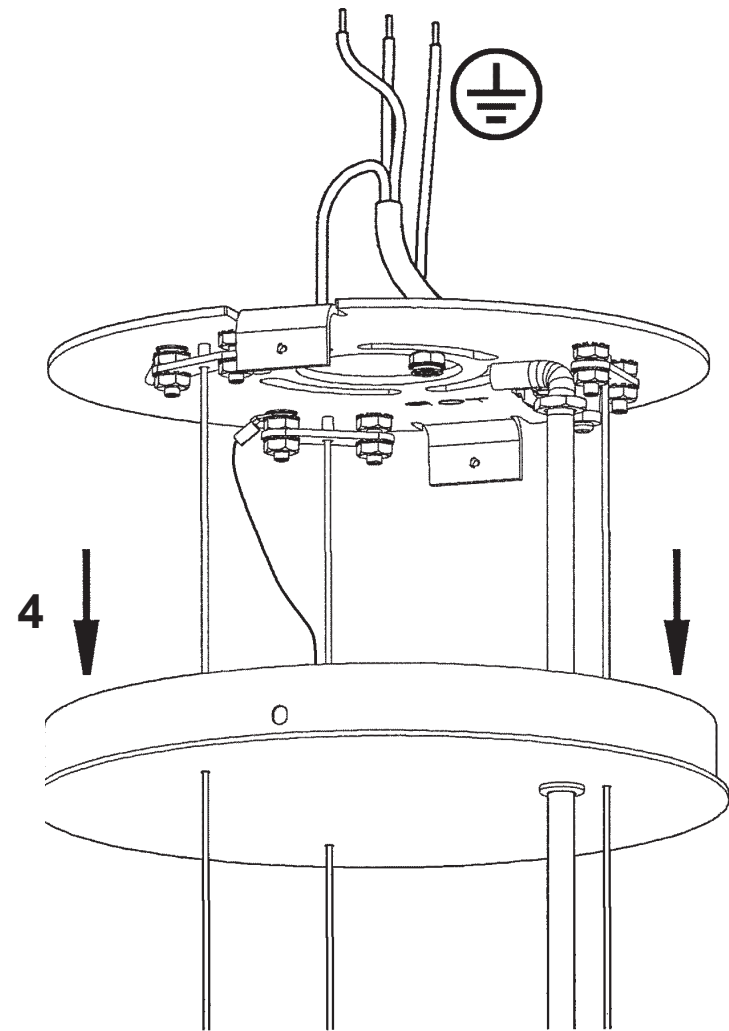


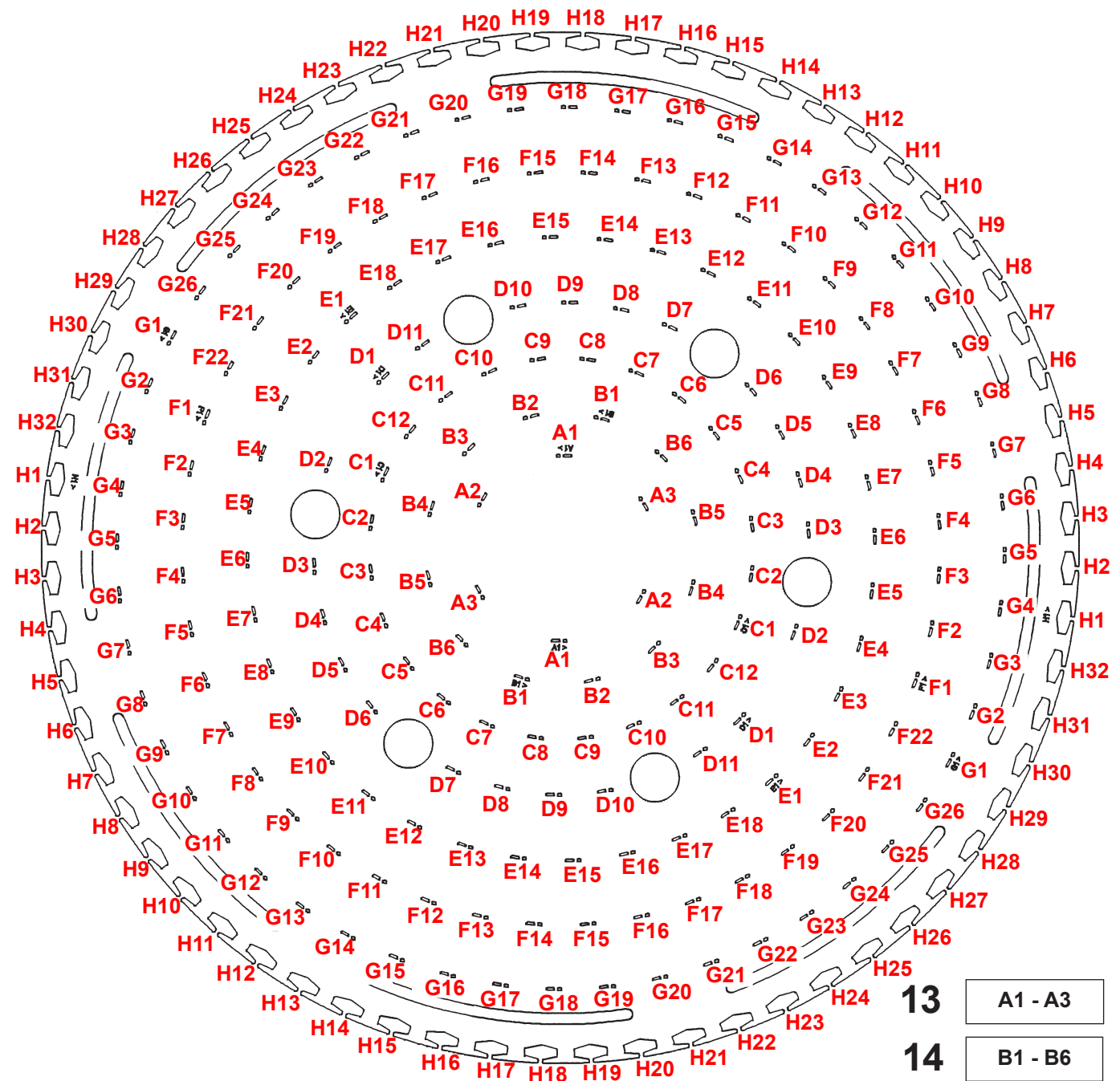


1 X  : 1746

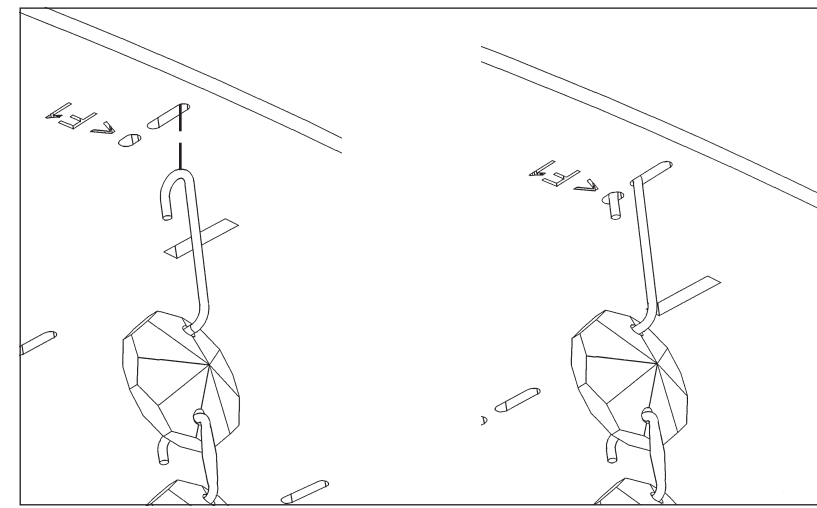



1746

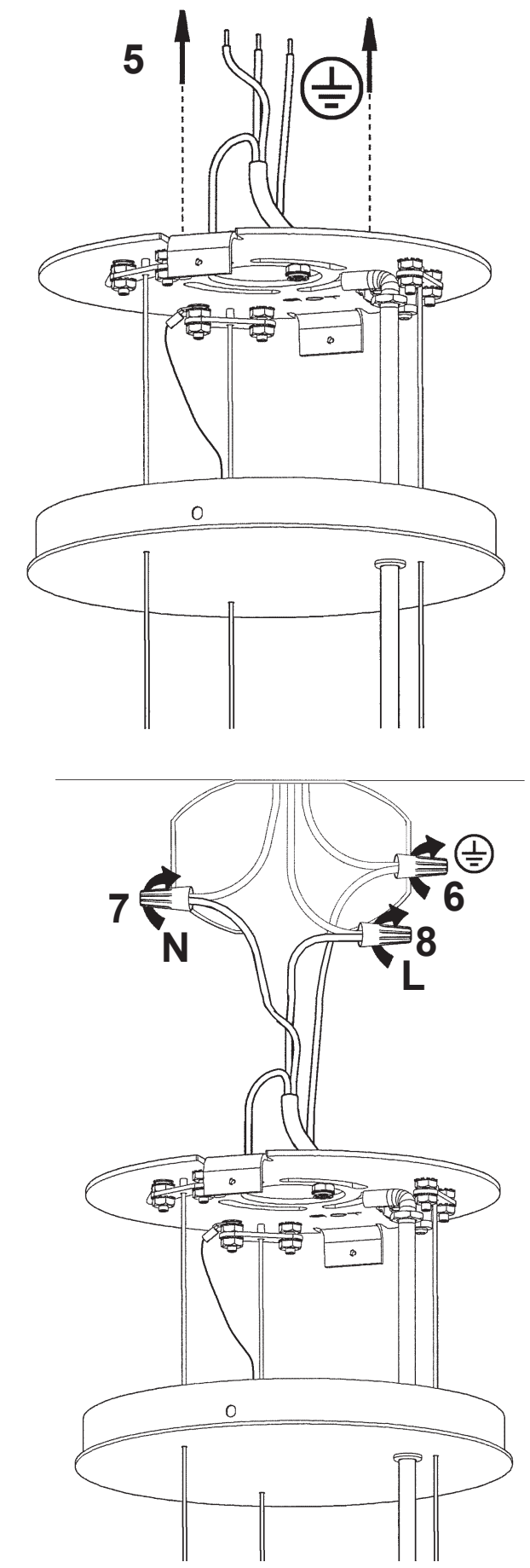


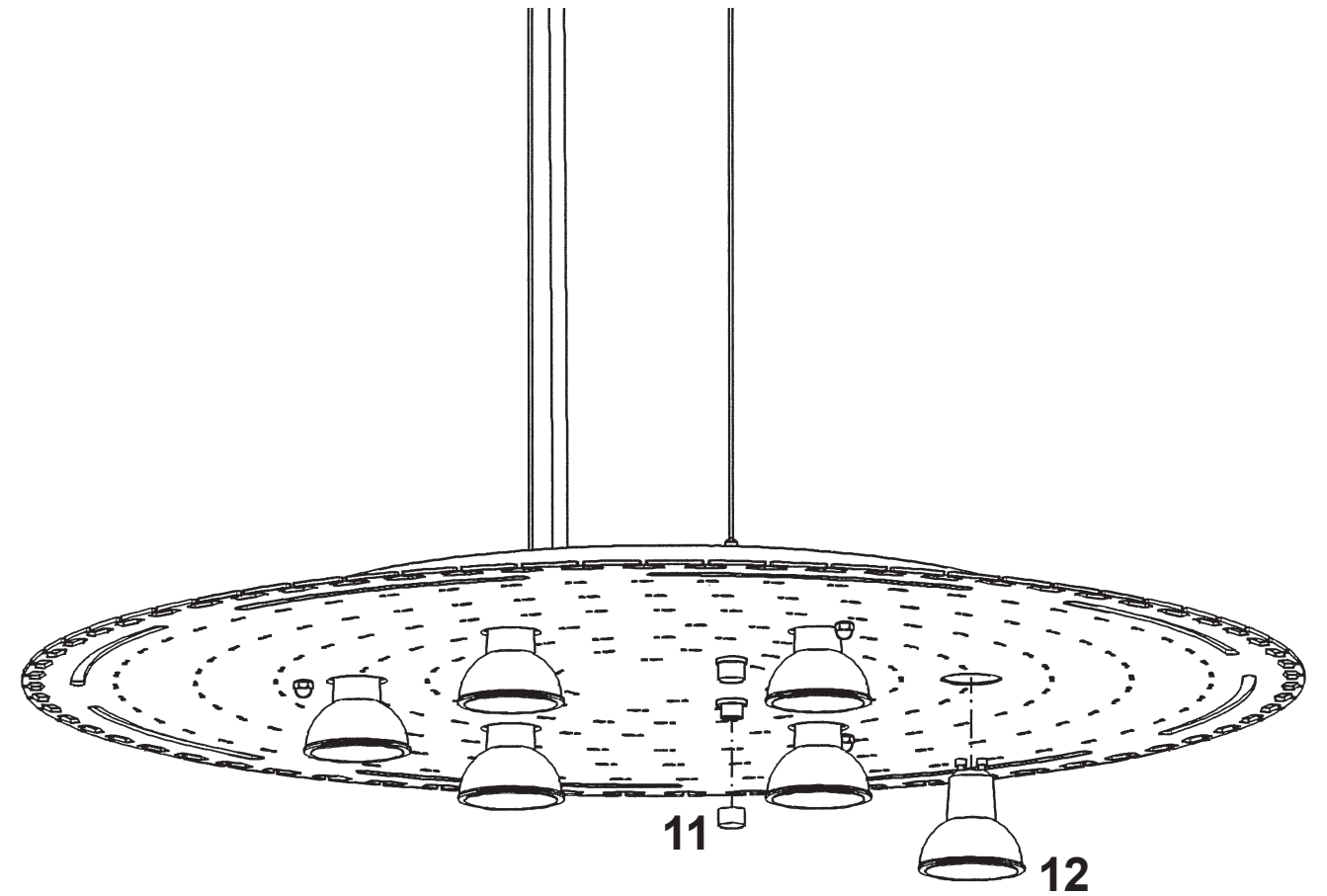
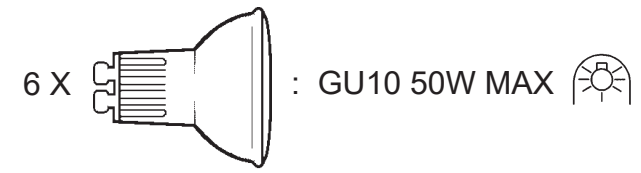
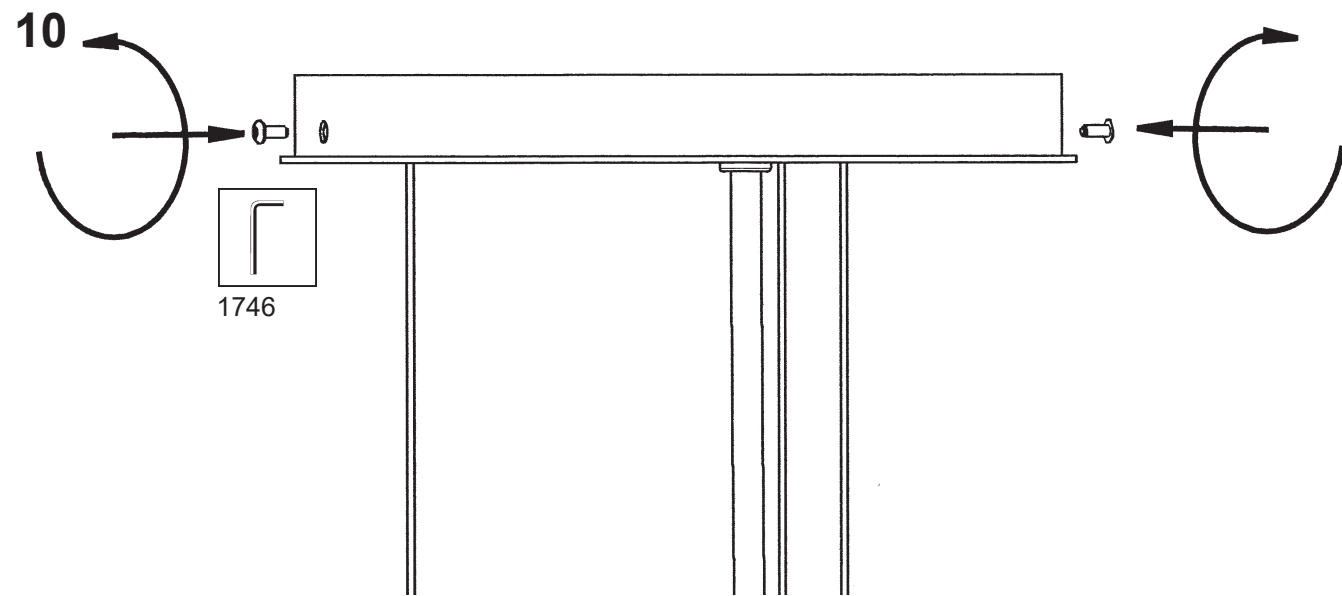
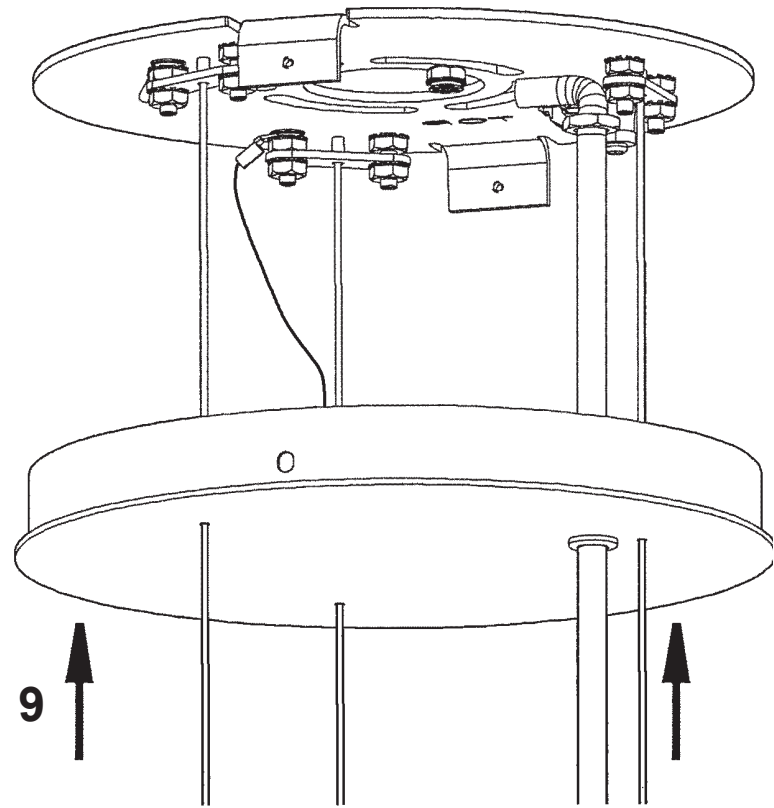


- 13** A1 - A3
- 14** B1 - B6
- 15** C1 - C12
- 16** D1 - D11
- 17** E1 - E18
- 18** F1 - F22
- 19** G1 - G26
- 20** H1 - H32



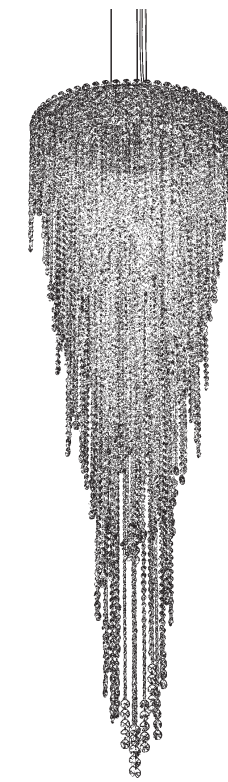
After hanging all trim, remove labels from crystals. If residue remains, wipe off crystal with a soft, dry cloth.





 **SCHONBEK** | 1870










CHANTANT
CH2413N- ___ _R



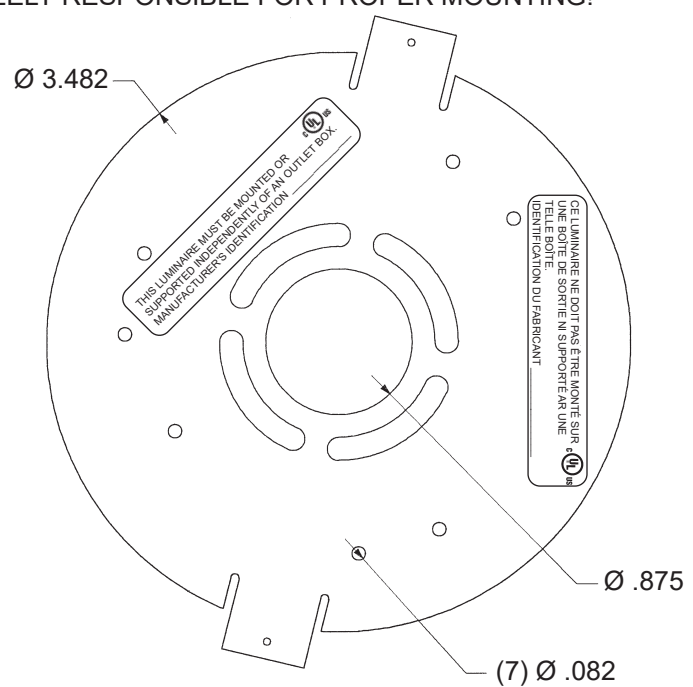
THIS DESIGN IS THE PROPRIETARY
TRADE DRESS/TRADEMARK OF
W SCHONBEK LLC.

6 Lights
Diameter: 24"
Height: 79"
Hanging Weight: 56lbs.

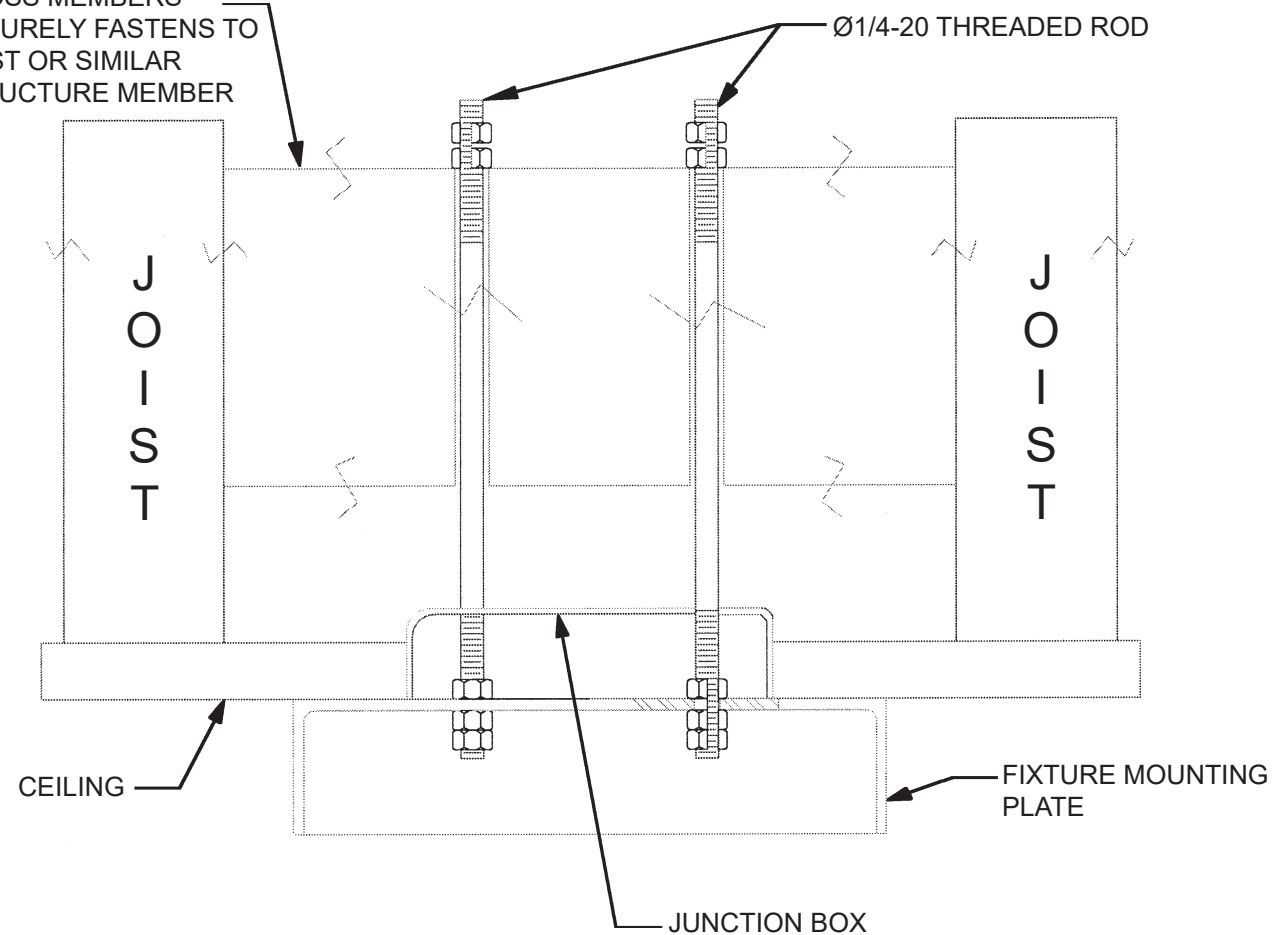
 **SCHONBEK** | 1870

			S					
MAX 50 W	110-120 V							

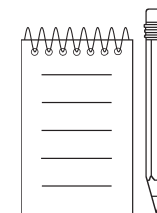
NOTE: INSTALLER IS SOLELY RESPONSIBLE FOR PROPER MOUNTING!

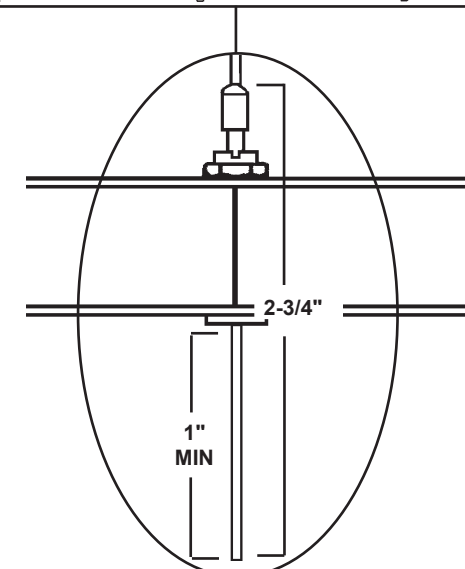
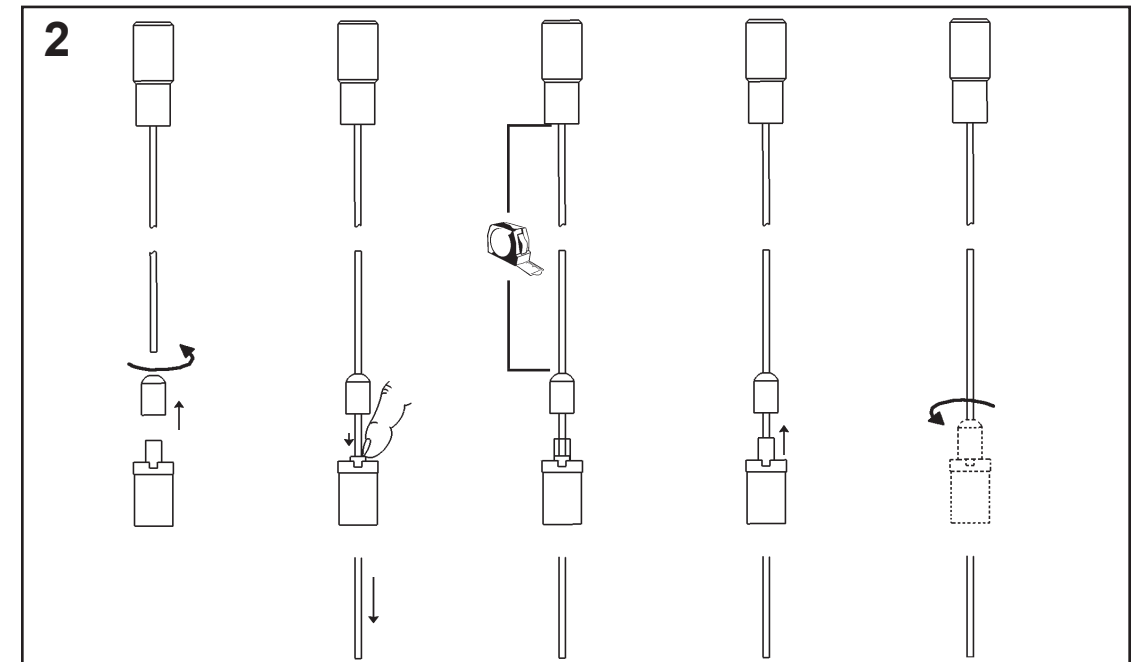
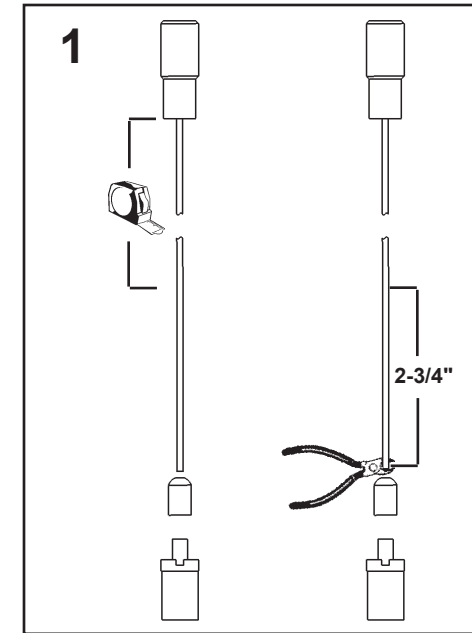
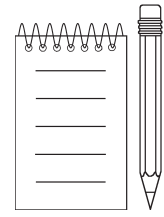


CROSS MEMBERS SECURELY FASTENS TO JOIST OR SIMILAR STRUCTURE MEMBER

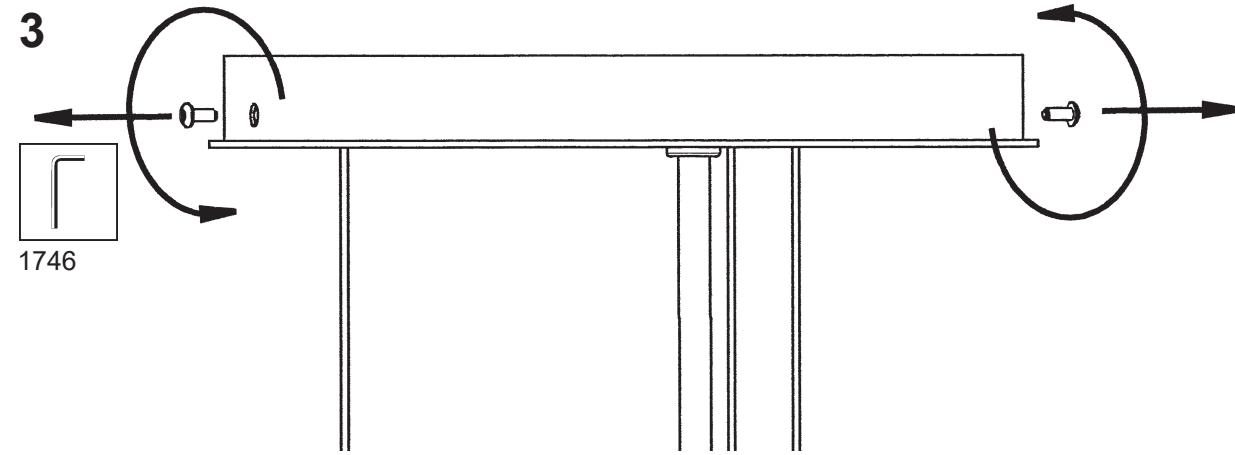


WARNING:
MOUNTING CONFIGURATION AND HARDWARE MUST HOLD 4X THE WEIGHT OF THE FIXTURE. MOUNTING DESIGN AND FIXTURE INSTALLATION SHOULD BE CONDUCTED BY A QUALIFIED LICENSED PROFESSIONAL.

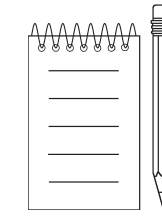
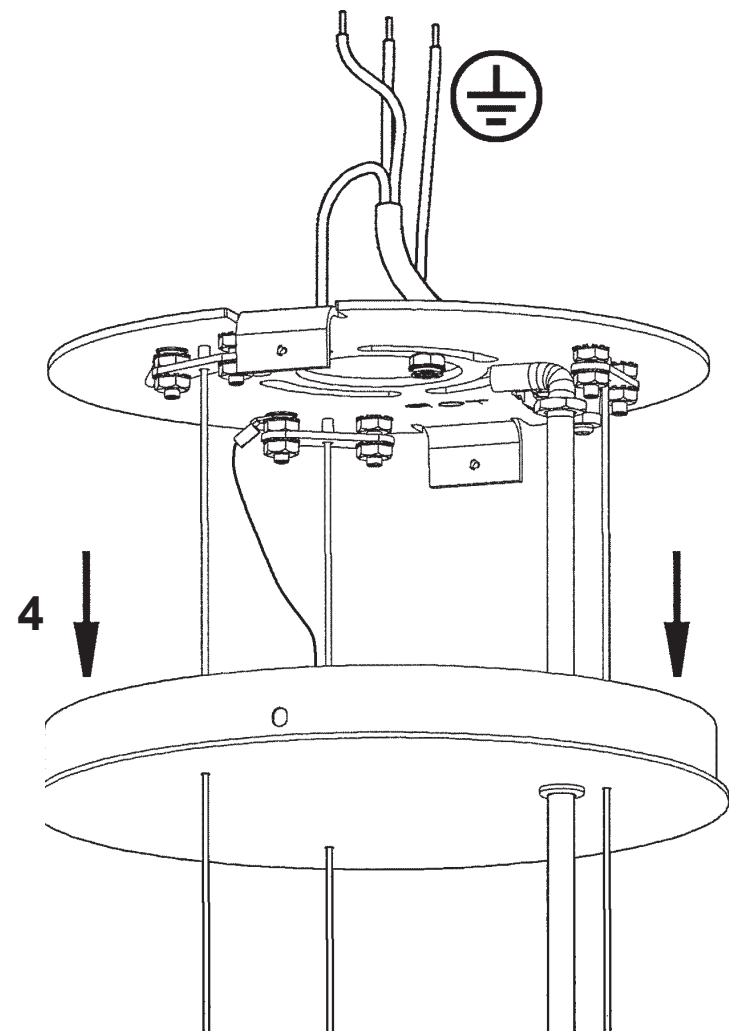


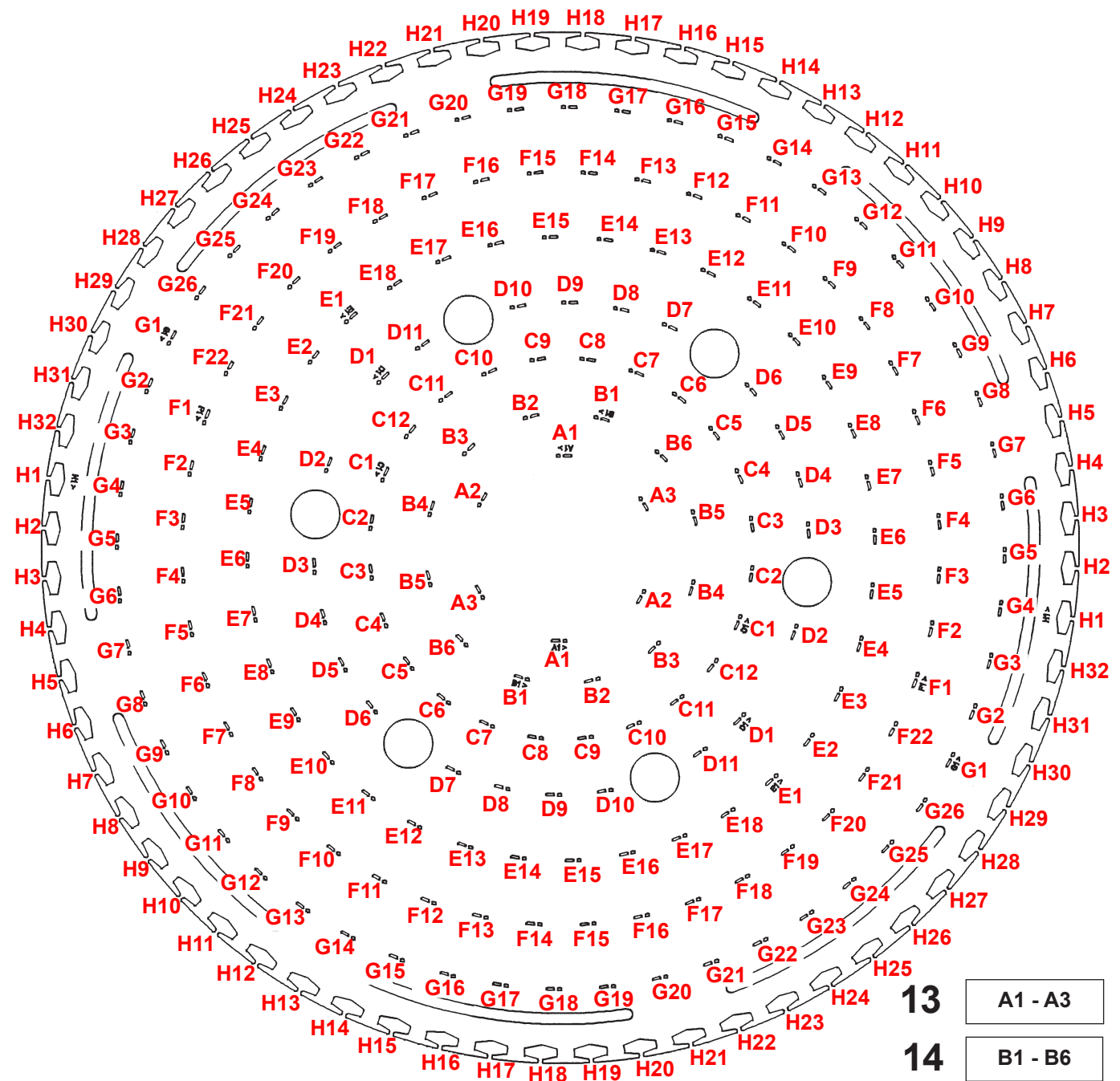


1 X  : 1746

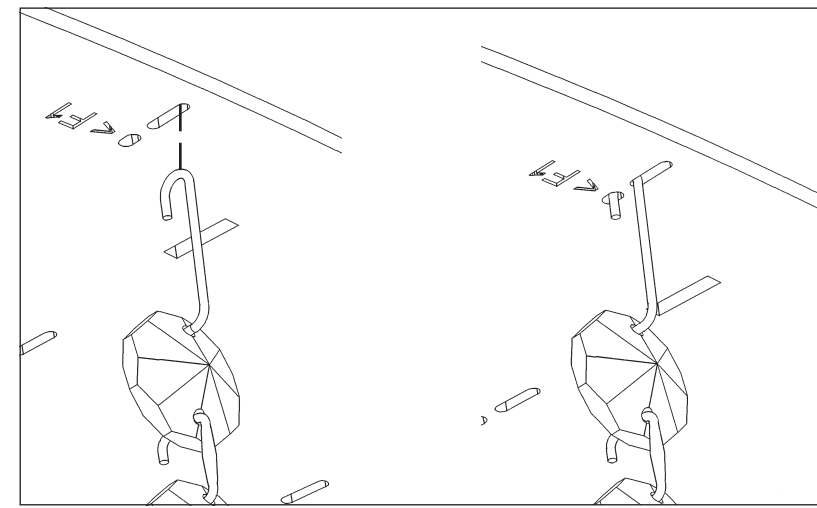



1746





- 13** A1 - A3
- 14** B1 - B6
- 15** C1 - C12
- 16** D1 - D11
- 17** E1 - E18
- 18** F1 - F22
- 19** G1 - G26
- 20** H1 - H32



After hanging all trim, remove labels from crystals. If residue remains, wipe off crystal with a soft, dry cloth.

