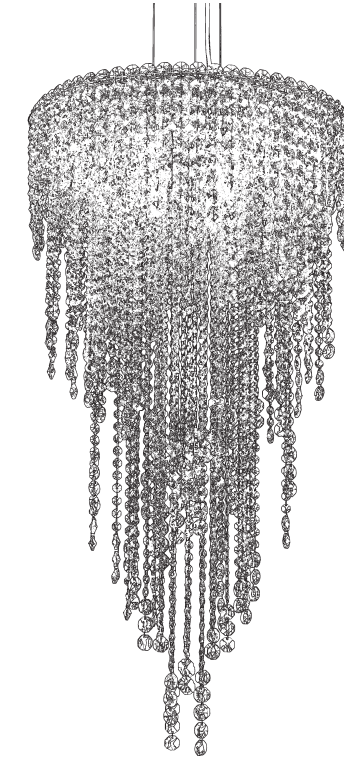


 **SCHONBEK** | 1870










CHANTANT
CH1812N- __ _ O

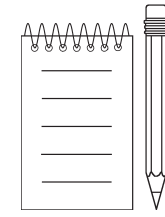
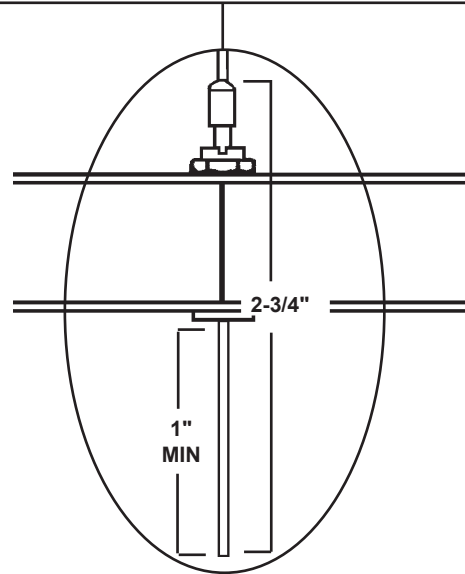
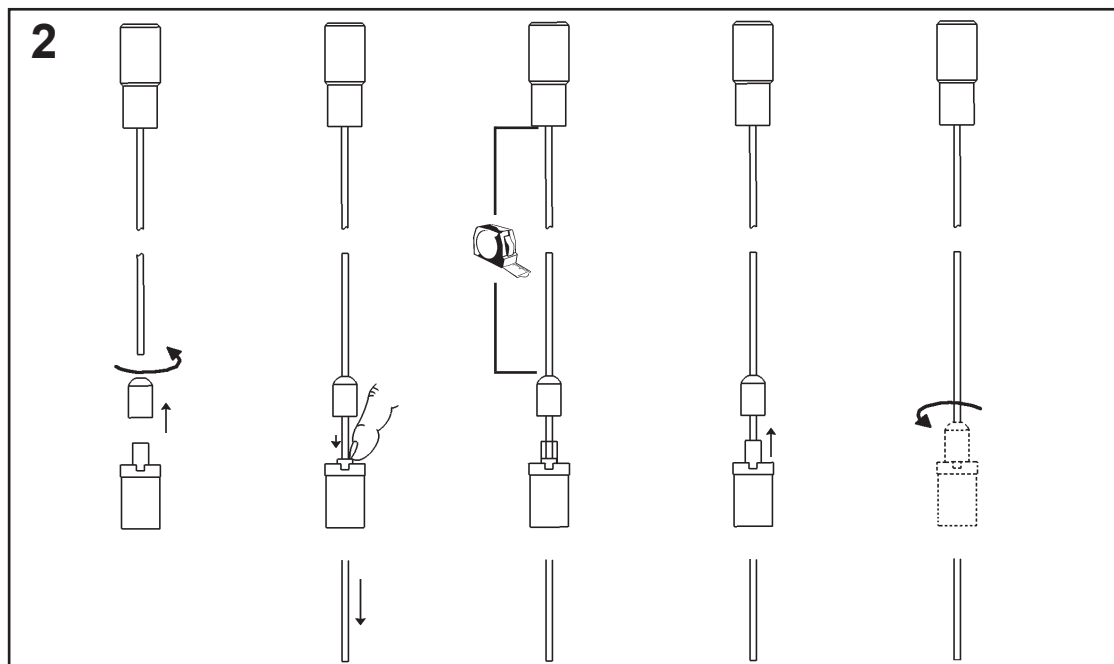
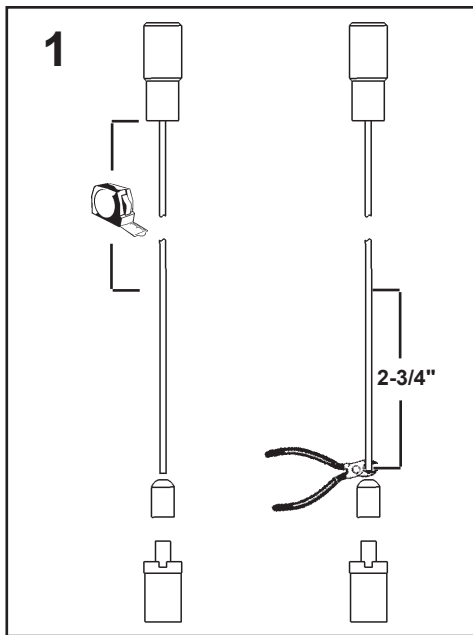


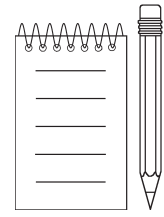
THIS DESIGN IS THE PROPRIETARY
TRADE DRESS/TRADEMARK OF
W SCHONBEK LLC.

5 Lights
Diameter: 21"
Height: 41-1/2"
Hanging Weight: 37lbs.

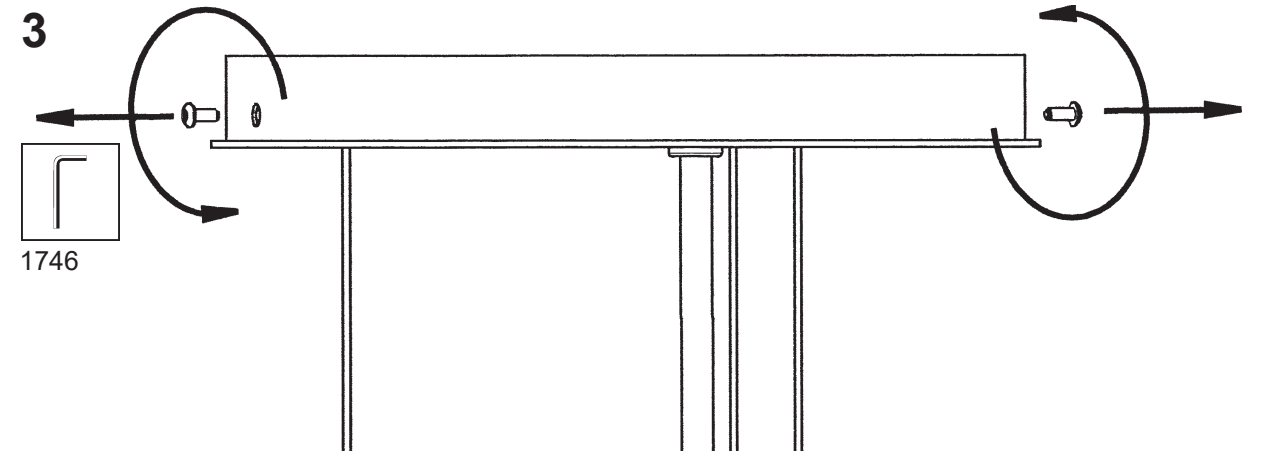
 **SCHONBEK** | 1870

			S					
MAX 50 W	110-120 V							

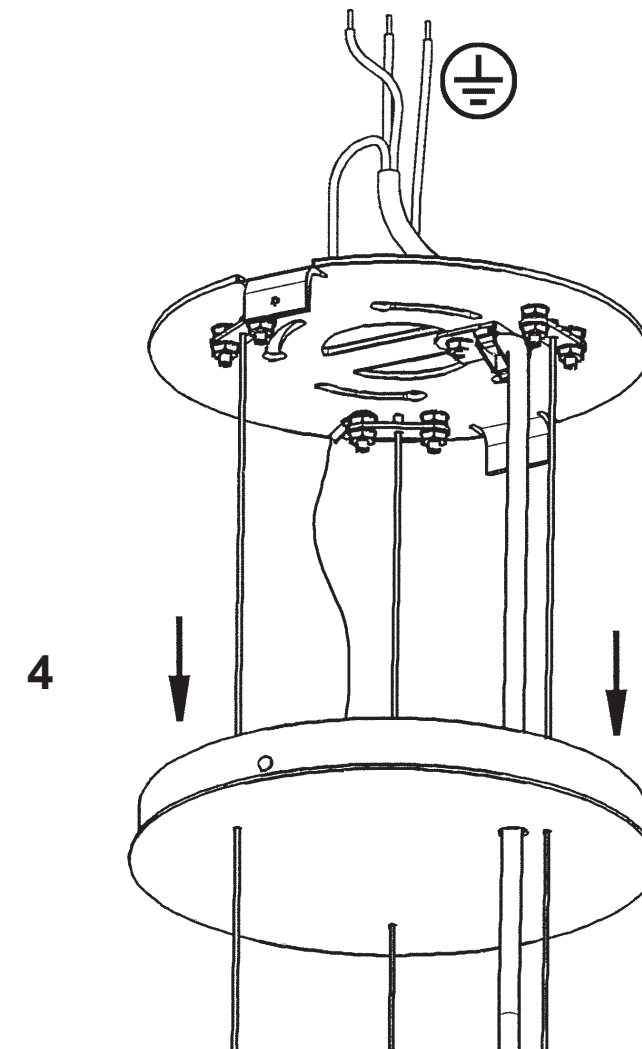


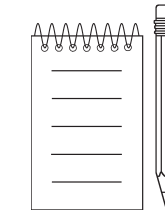
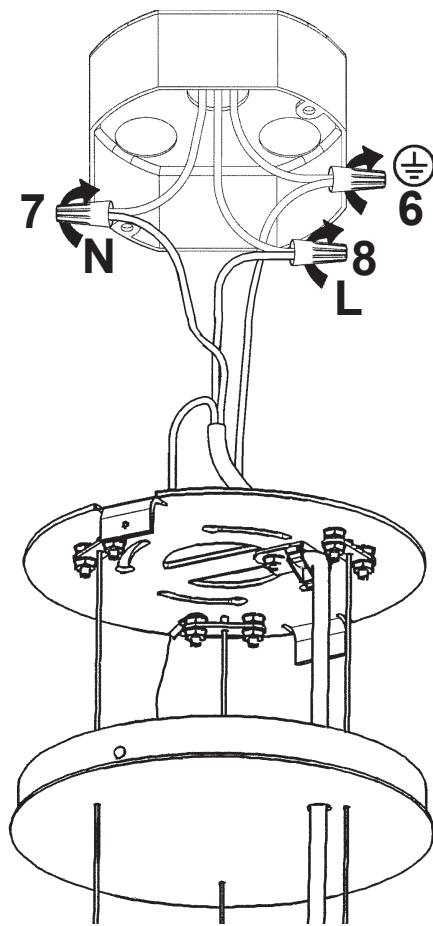
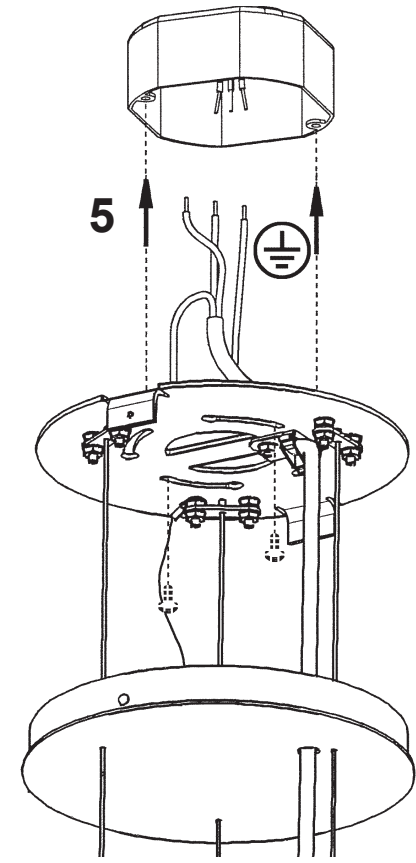


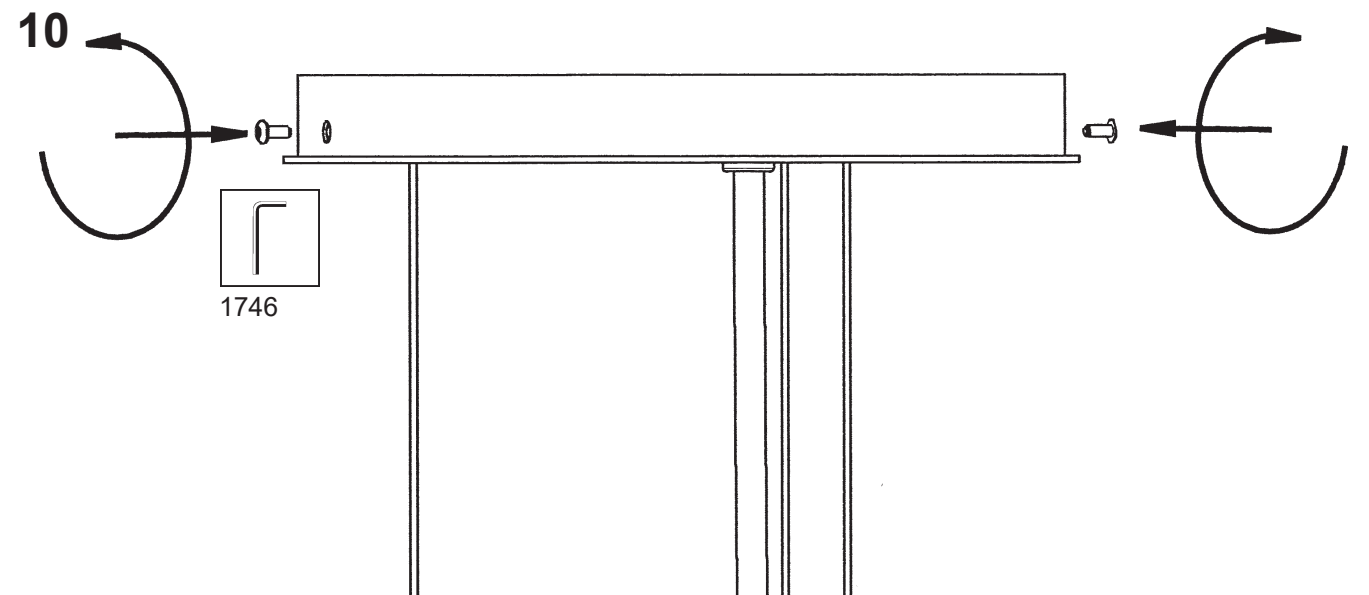
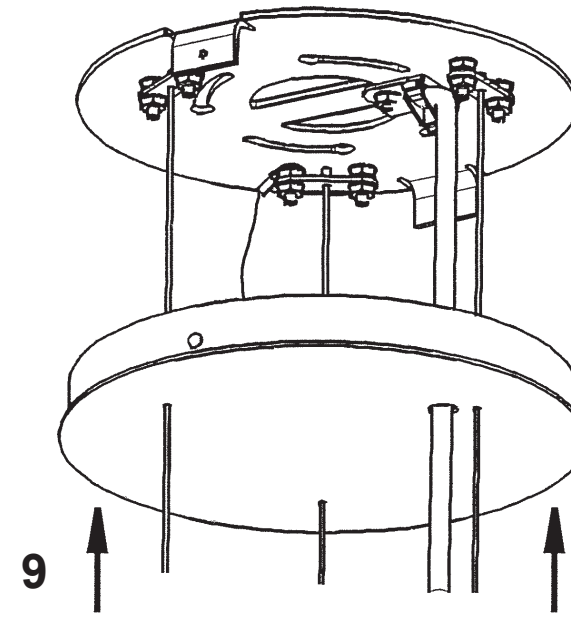
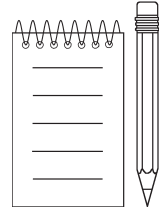
1 X  : 1746

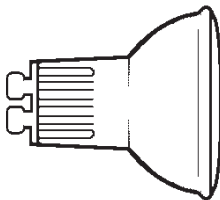



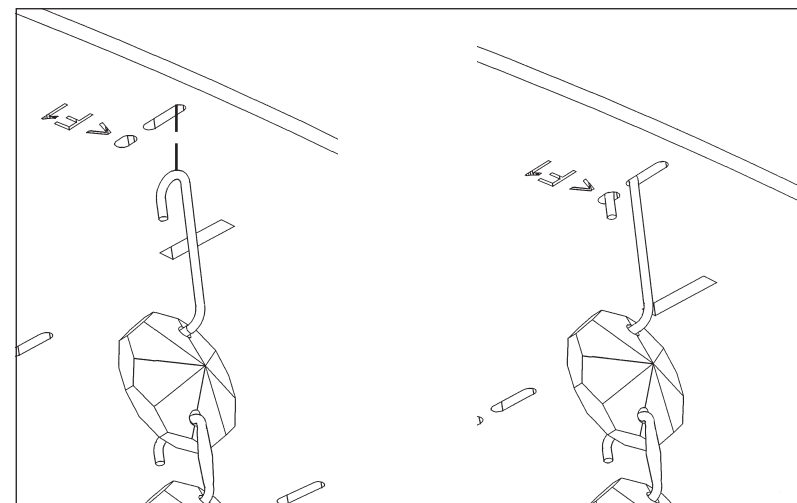
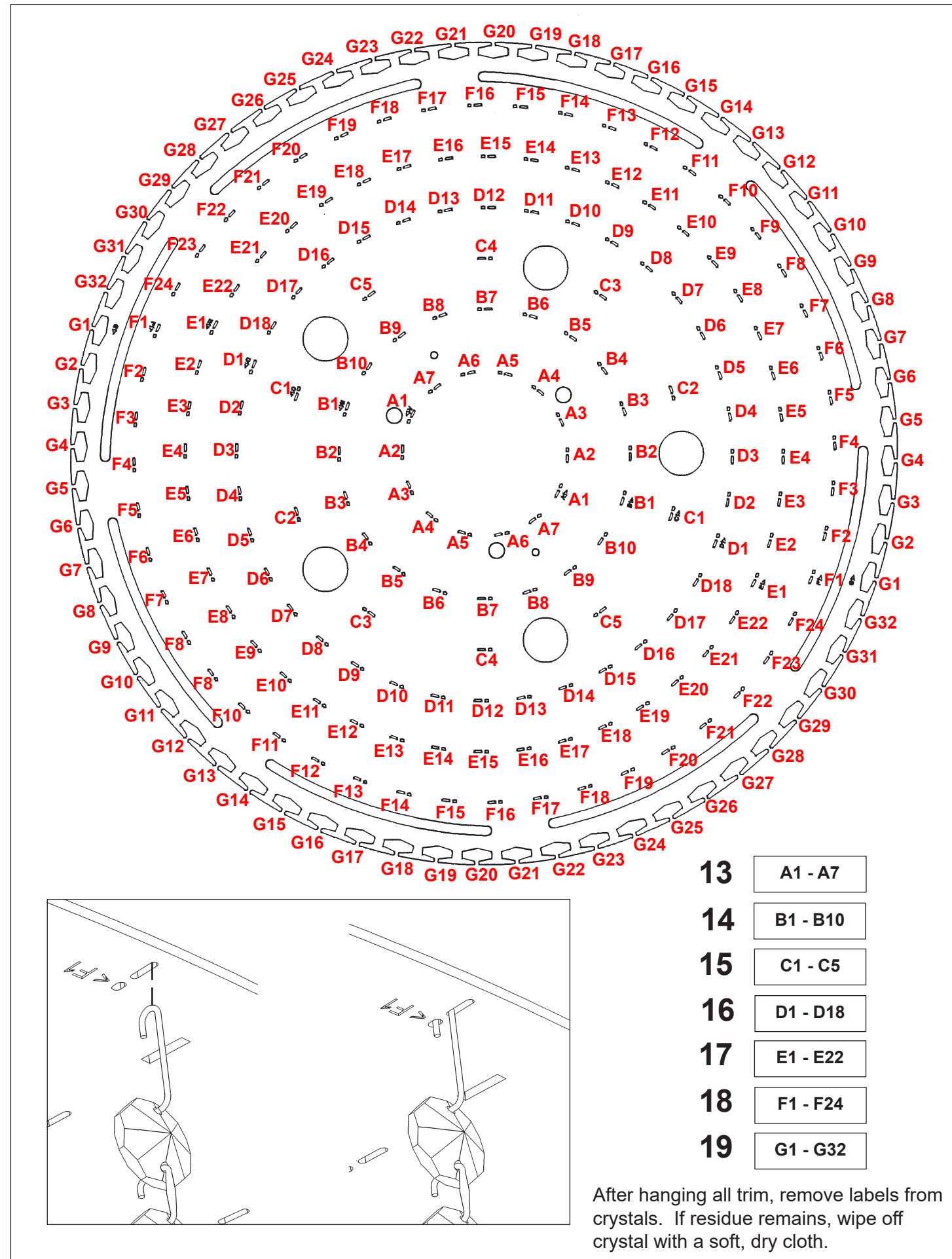
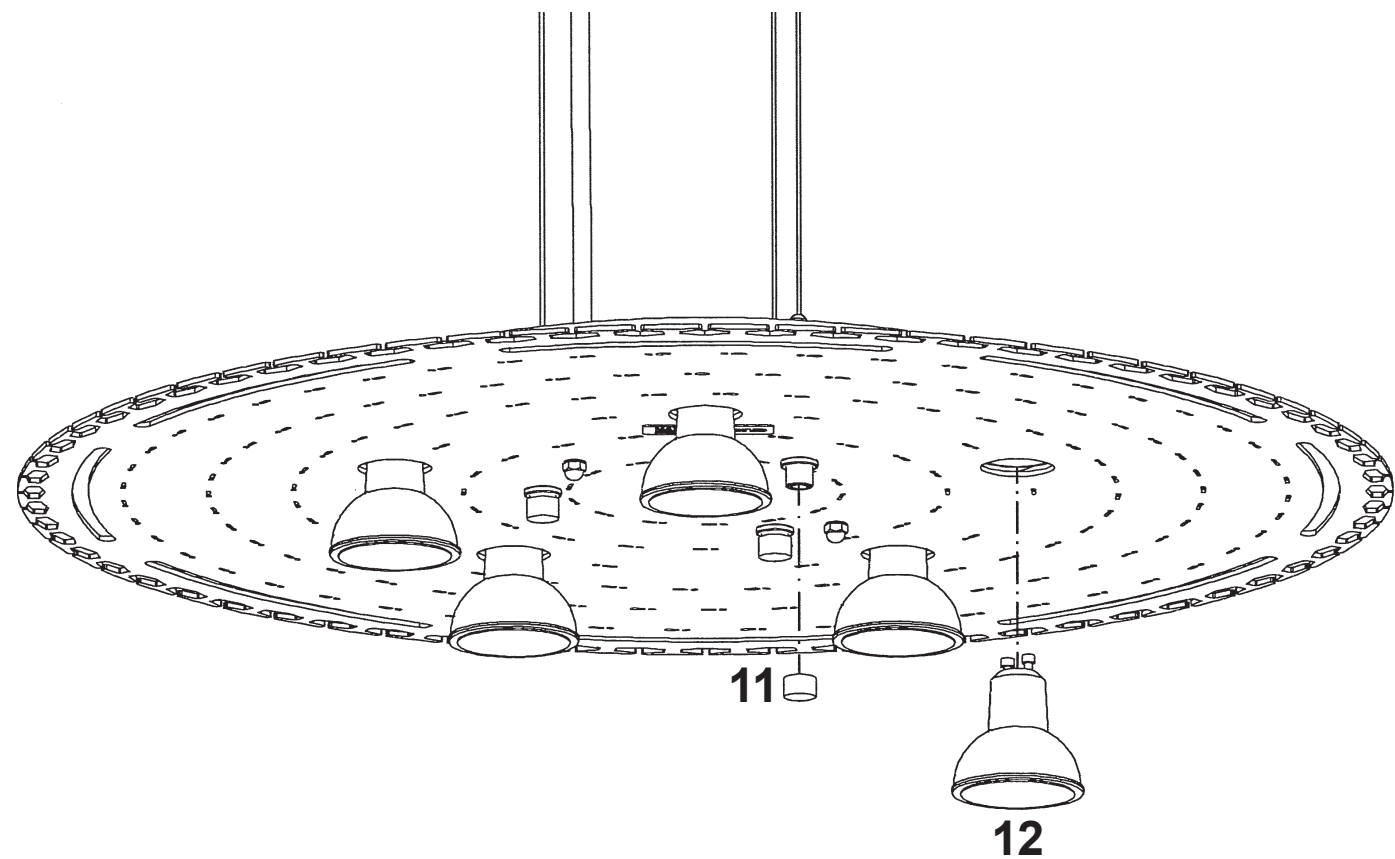

1746







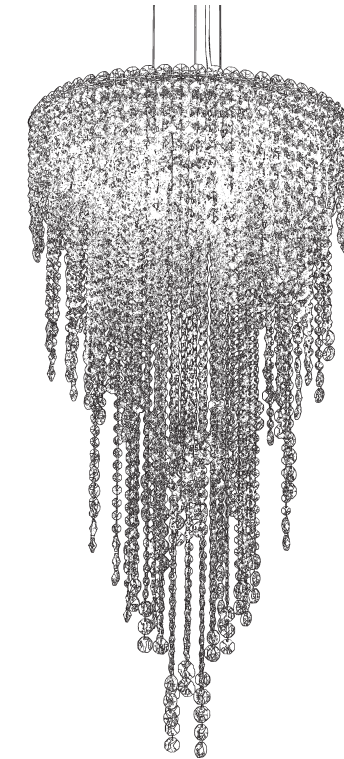
5 X  : GU10 50W MAX 



After hanging all trim, remove labels from crystals. If residue remains, wipe off crystal with a soft, dry cloth.

 **SCHONBEK** | 1870










CHANTANT
CH1812N-__ _R

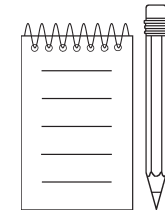
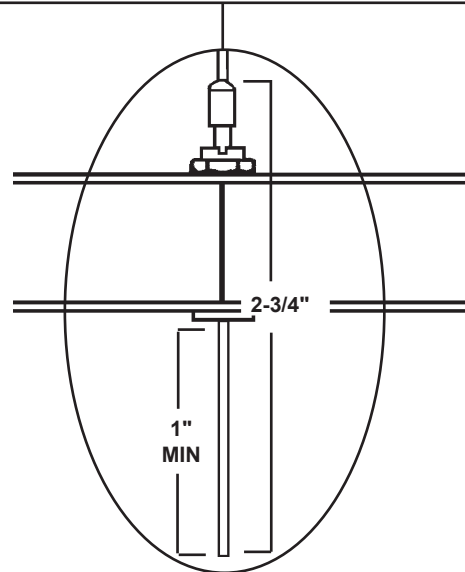
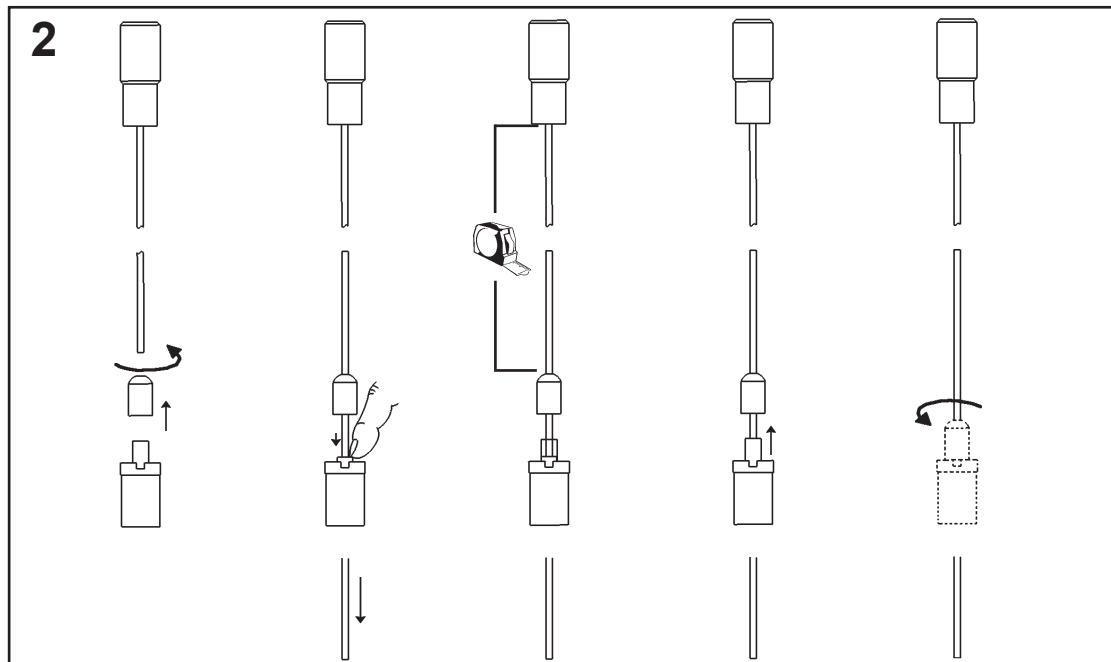
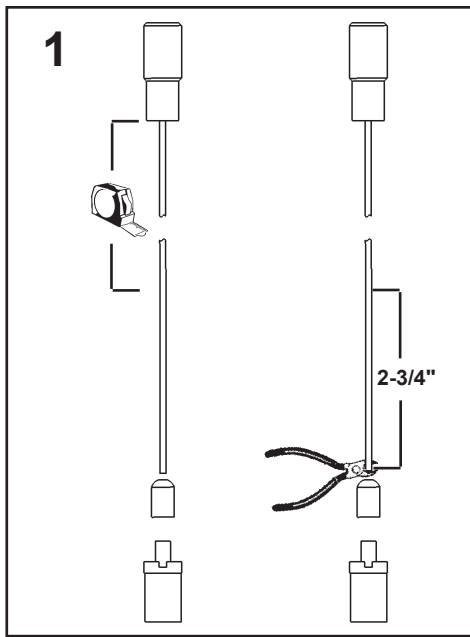


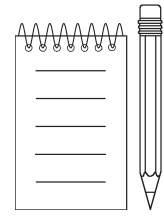
THIS DESIGN IS THE PROPRIETARY
TRADE DRESS/TRADEMARK OF
W SCHONBEK LLC.

5 Lights
Diameter: 21"
Height: 41-1/2"
Hanging Weight: 37lbs.

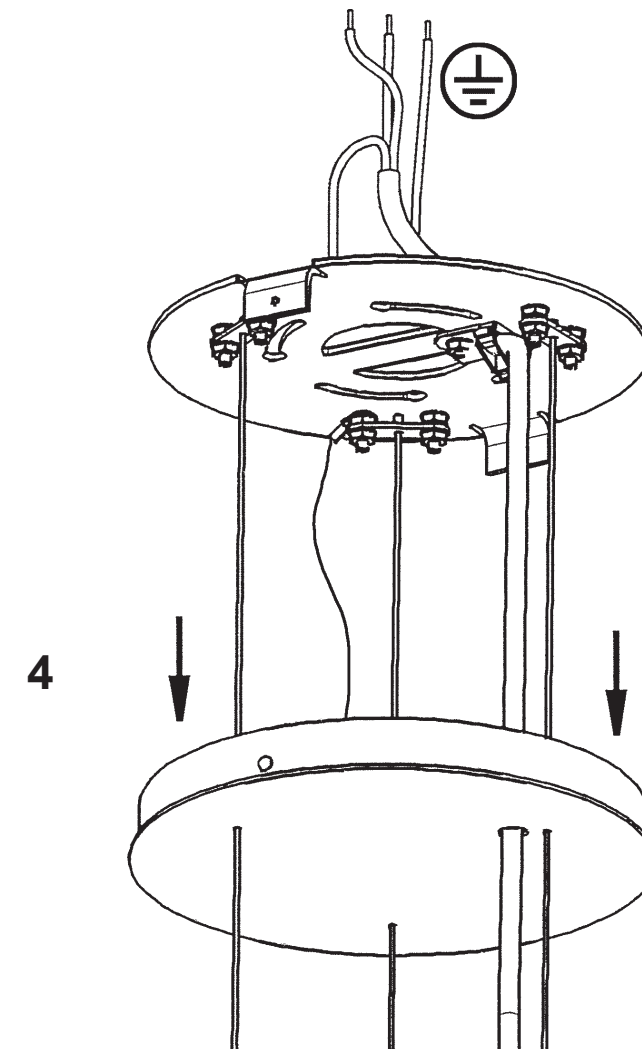
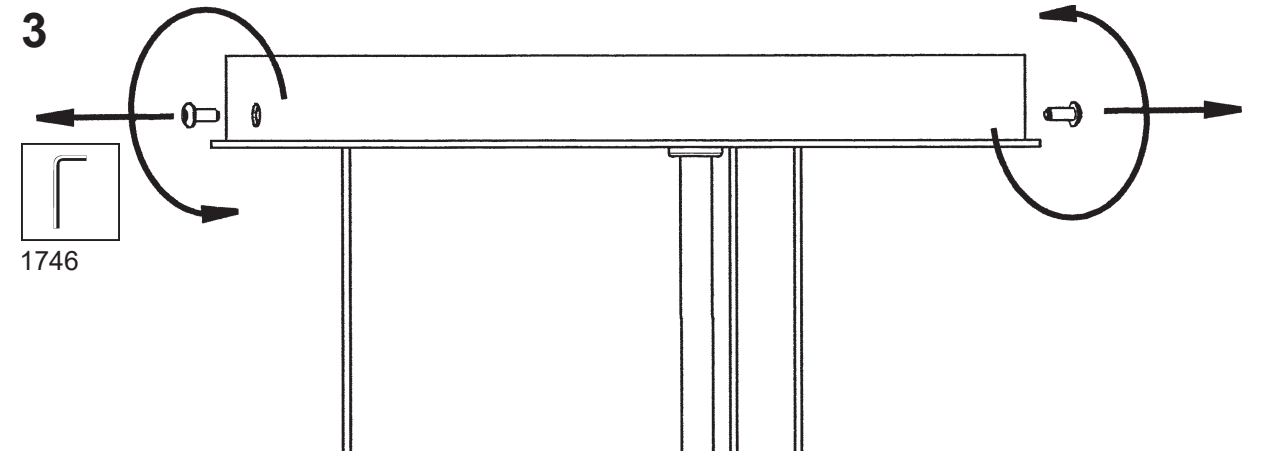
 **SCHONBEK** | 1870

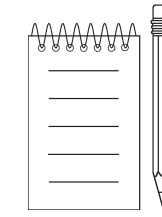
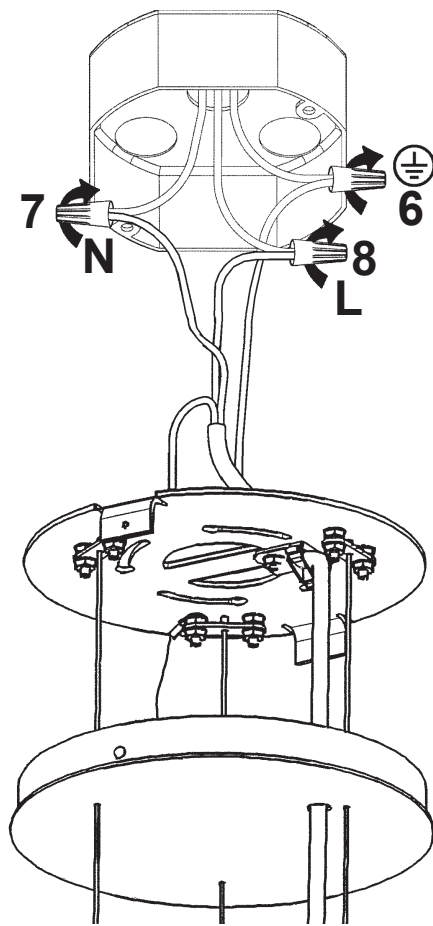
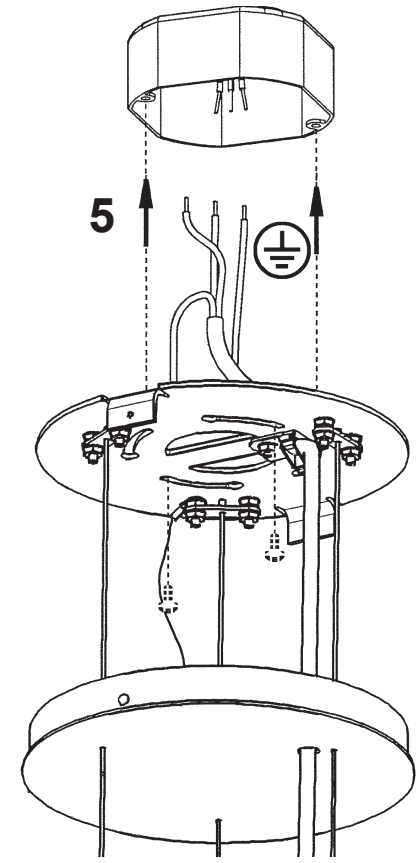
			S					
MAX 50 W	110-120 V							

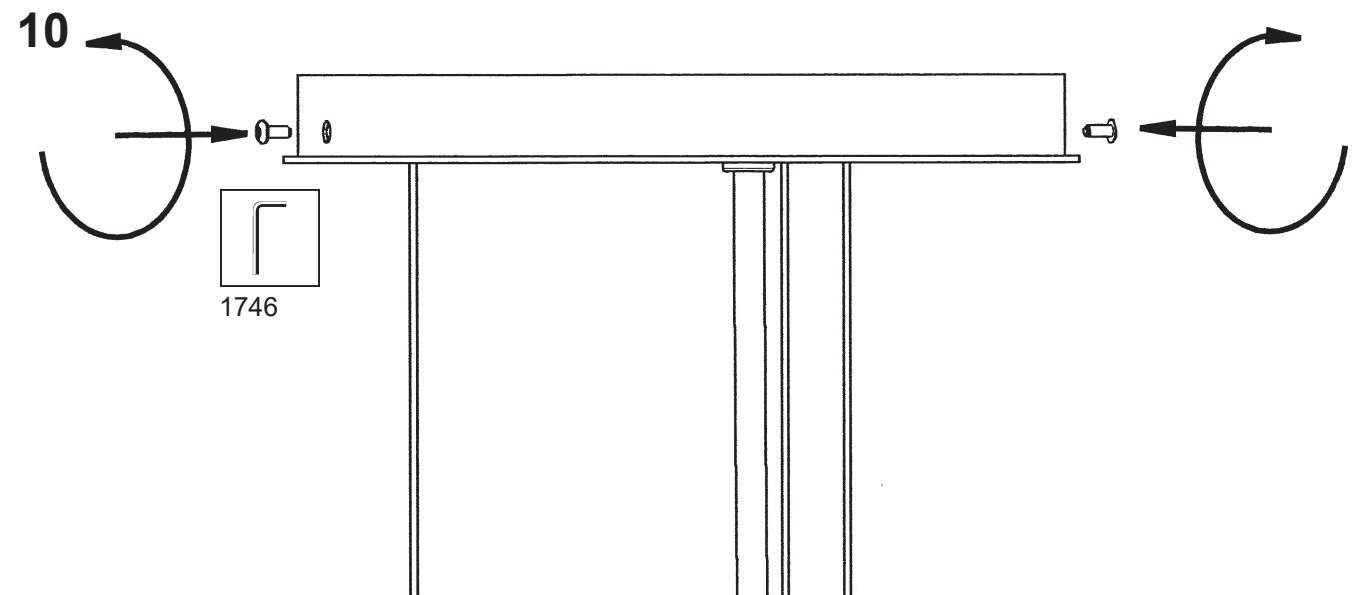
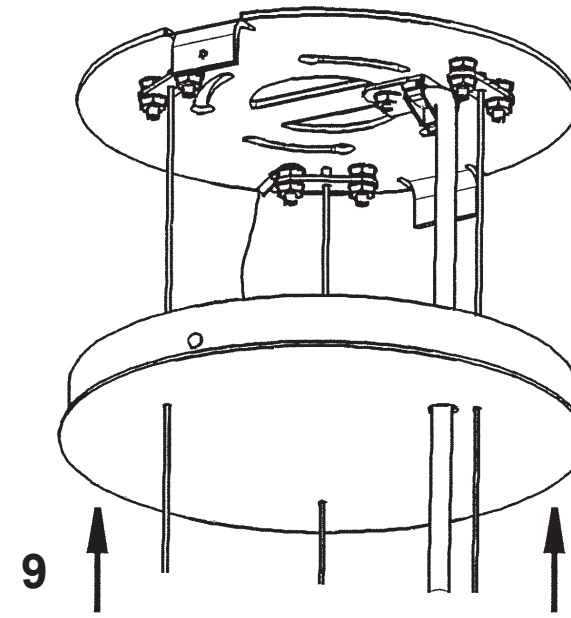
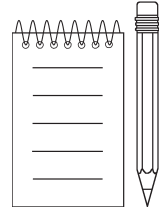


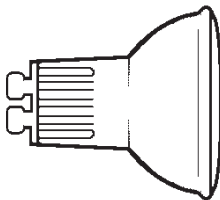



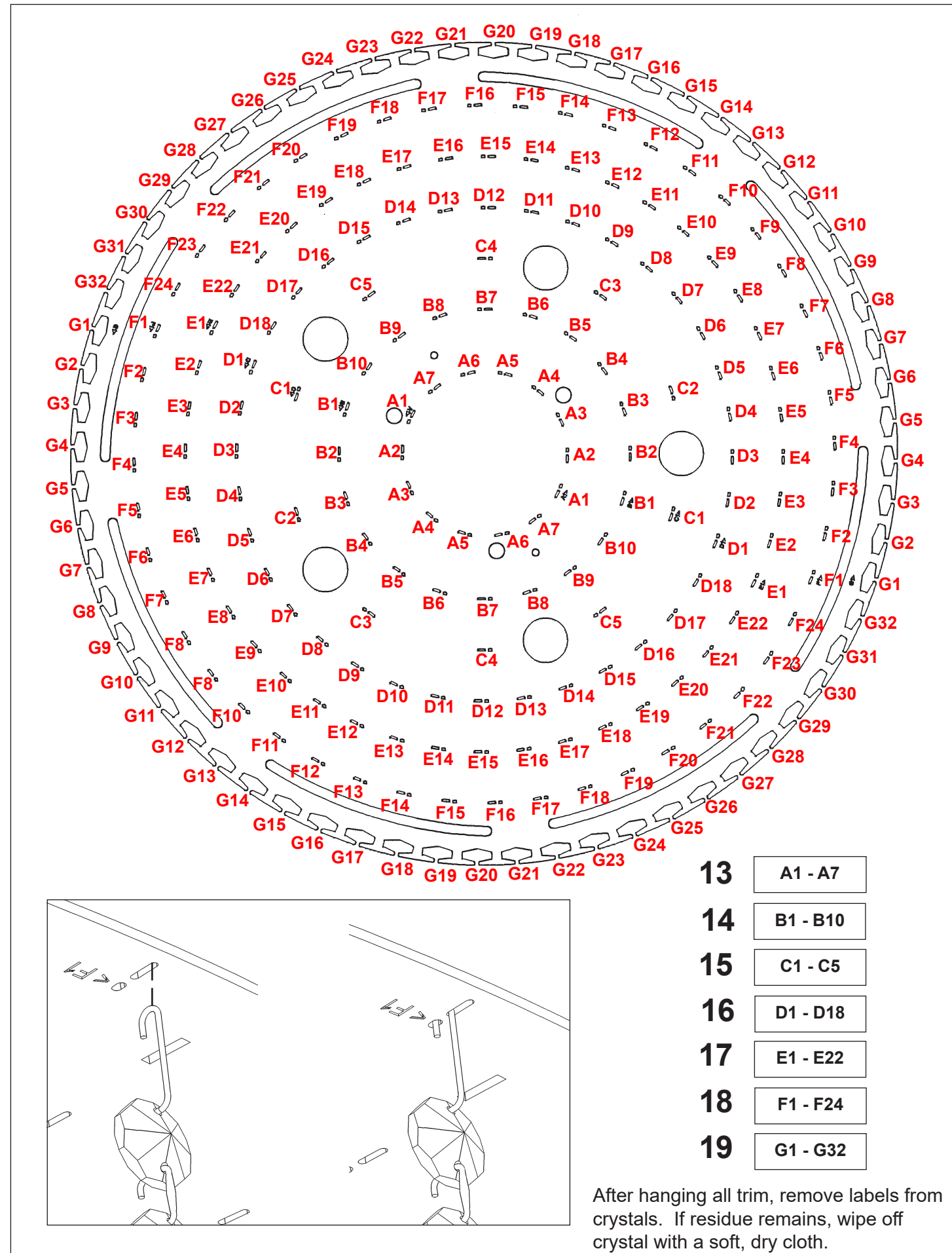
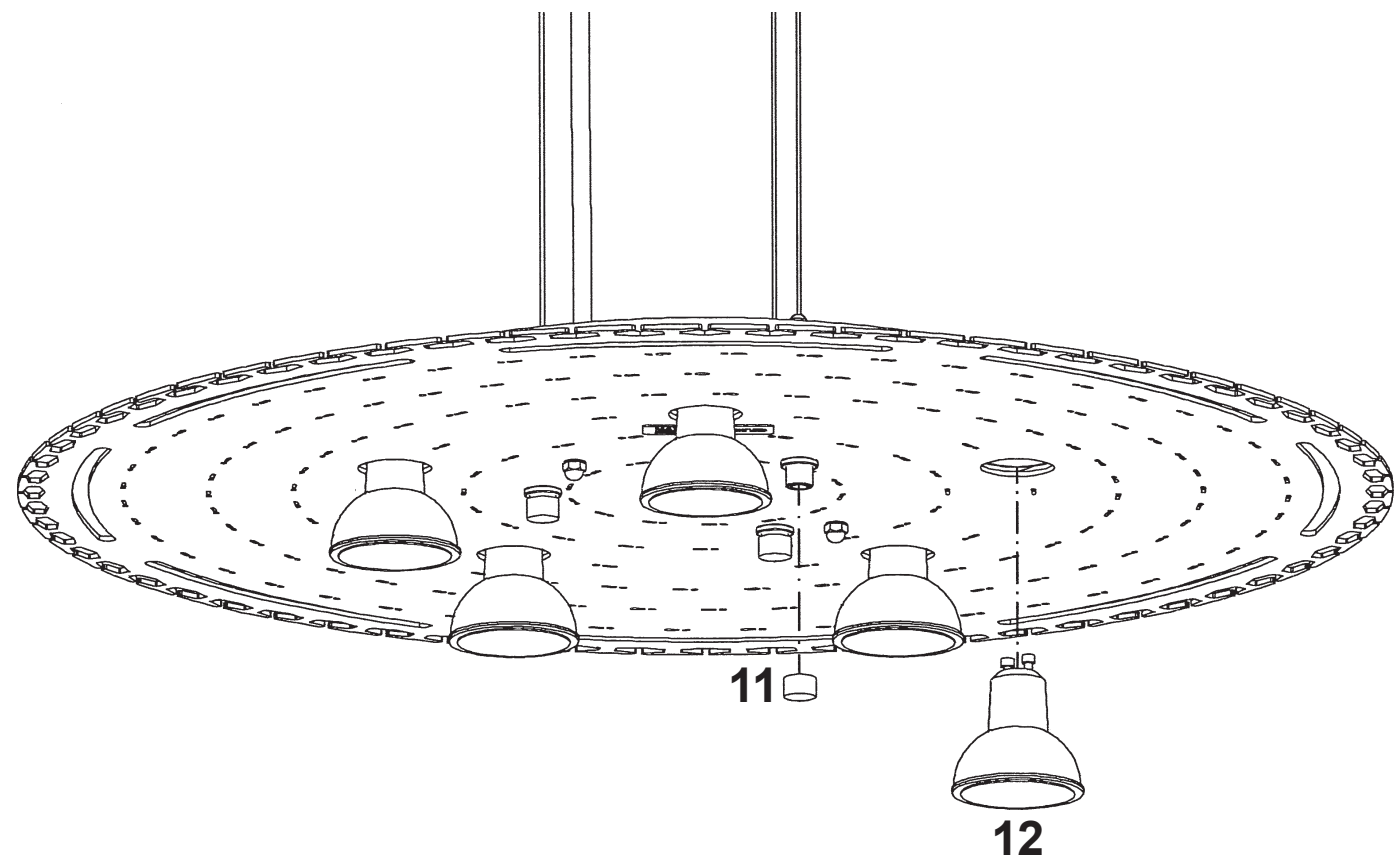
1 X  : 1746



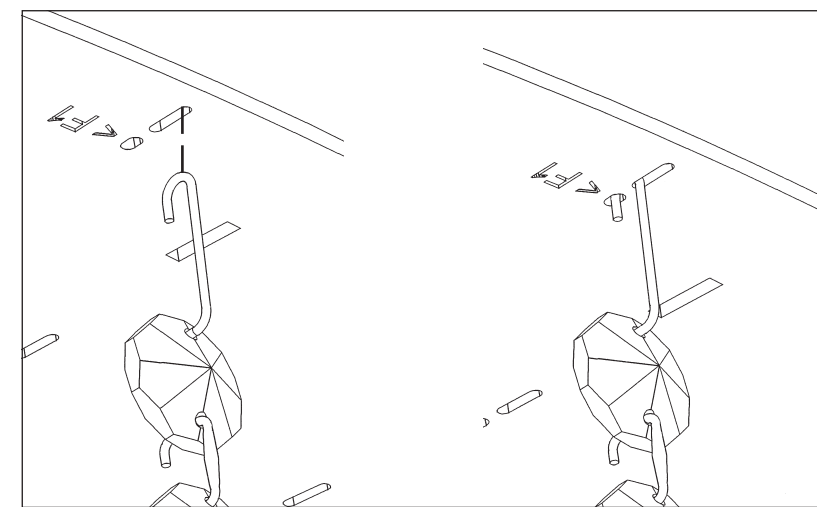




5 X  : GU10 50W MAX 



- 13** A1 - A7
- 14** B1 - B10
- 15** C1 - C5
- 16** D1 - D18
- 17** E1 - E22
- 18** F1 - F24
- 19** G1 - G32



After hanging all trim, remove labels from crystals. If residue remains, wipe off crystal with a soft, dry cloth.