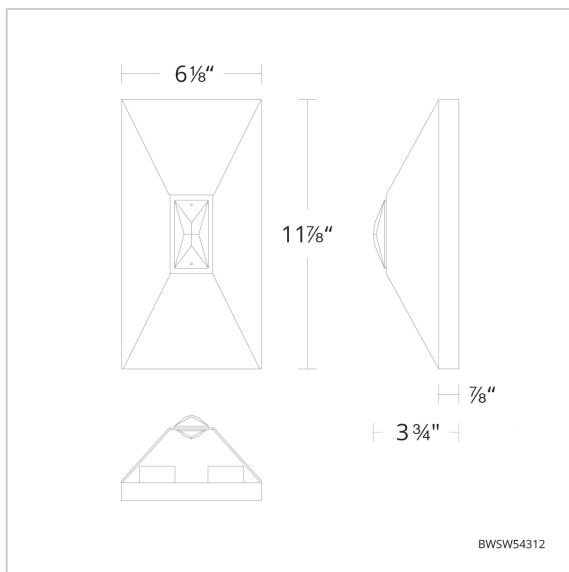


# Vida

BWSW54312



## LINE DRAWING



**Project:**

**Location:**

**Fixture Type:**

**Catalog Number:**

## DESCRIPTION

An angular form accented by a trio of faceted Optic Crystal presents a multi-dimensional design. Lose yourself in the depths of reflection from its up and down illumination.

## FEATURES

- Specifically formulated using powder coat to resist UV and coastal environmental conditions, providing a long-lasting finish with premium 316 Marine mirror grade stainless steel plate and hardware
- Built in color temperature adjustability. Switch from 3000K/3500K/4000K. Switch may be installed in junction box.
- Can be mounted on wall vertically or upside down

## CRYSTAL OPTIONS



Optic Crystal  
(O)

## FINISH OPTIONS



Black  
(-BK)

## SPECIFICATIONS

<b>Light Source</b>	LED
<b>CRI</b>	90
<b>Dimming</b>	ELV, Triac
<b>Standards</b>	ETL/cETL

## REPLACEMENT PARTS

RPL-GLA-54312 - Replacement for BWSW54312

Model	Crystal	Finish	Size	CCT	Voltage	Wattage	Weight	LED Lumens	Delivered Lumens
BWSW54312	O	- BK	12"	3000K/3500K/ 4000K	120V	12W	7.6lbs	1078	Up To 176

Example: BWSW54312-BK