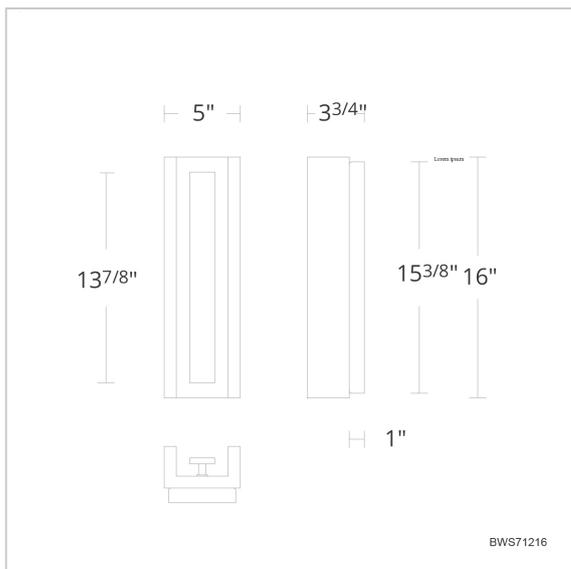


Magnate

BWS71216



LINE DRAWING



Project:

Location:

Fixture Type:

Catalog Number:

DESCRIPTION

Monumentally unique and sophisticated. A bold façade conceals LEDs that illuminate the Schonbek Optic Haze Quartz engineered from natural quartz.

FEATURES

- Optic Haze™, made of natural quartz, has unique variations in luster, hue, patterning and texture inherent to this material. When illuminated, the dimension of the crystal is beautifully accented.
- Built in color temperature adjustability. Switch from 3000K/3500K/4000K. Switch may be installed in junction box.
- Can be mounted on wall in all orientations
- Driver concealed within the fixture

CRYSTAL OPTIONS



Optic Haze
Quartz
(OH)

FINISH OPTIONS



Black
(-BK)

SPECIFICATIONS

Light Source	LED
CRI	90
Dimming Standards	ELV,0-10V, Triac ETL/cETL, Title 24

Model	Crystal	Finish	Size	CCT	Voltage	Wattage	Weight	LED Lumens	Delivered Lumens
BWS71216	OH	- BK	16"	3000K/3500K/ 4000K	120V-277V	25W	10.1lbs	1765	Up To 384

Example: BWS71216-BK