

# MIRAGE

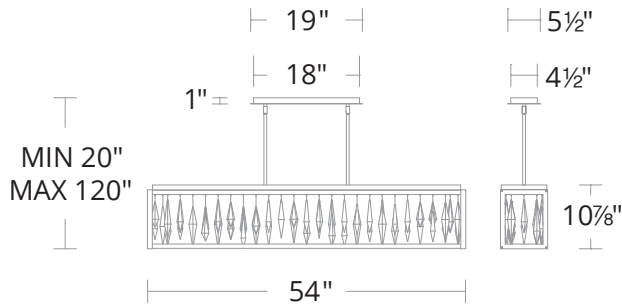
BPD16254



## DESCRIPTION

A twinkling array of suspended diamond-shaped Optic Crystals shimmer in matte black framed illumination. Beams of upward and down light illuminate the crystals in all directions for a magnificent and thought provoking effect.

## LINE DRAWING



Project:

Location:

Fixture Type:

Catalog Number:

## CRYSTAL OPTIONS



Optic Crystal  
(O)

## AVAILABLE FINISHES



BK: Black

## FEATURES

- Inner mirror grade backing plate
- Built-in color temperature adjustability switch from 3000K/3500K/4000K at time of installation
- Thin canopy conceals a proprietary universal 120V-220V-277V driver
- Six 12" and two 6" down rods included (additional sold separately)
- Can be mounted on a sloped ceiling

## SPECIFICATIONS

CRI	90
Dimming	ELV, 0-10V, TRIAC
Standards	ETL/cETL, Damp, Title 24

## REPLACEMENT PARTS

- RPL-GLA-16254-01 - Crystal 01 L22\*W22\*H135
- RPL-GLA-16254-02 - Crystal -02 L25\*W25\*H160
- RPL-GLA-16254-03 - Crystal -03 L20\*W20\*H125
- RPL-GLA-16254-04 - Crystal -04 L30\*W27\*H135
- RPL-GLA-16254-05 - Crystal -05 L35\*W32\*H102
- RPL-GLA-16254-06 - Crystal -06 L30\*W27\*H160
- RPL-GLA-16254-07 - Crystal -07 L35\*W32\*H170
- RPL-ROD-IN06-BK-01 - 6" Rod (BK)
- RPL-ROD-IN12-BK-01 - 12" Rod (BK)

Model	Crystal	Finish	Size	CCT	Voltage	Wattage	Weight	LED Lumens	Delivered Lumens
BPD16254	O	- B	54"	3000K/3500K/ 4000K	120V-277V	63W	43.4lbs	5100	Up To 2490

Example: BPD16254-BK