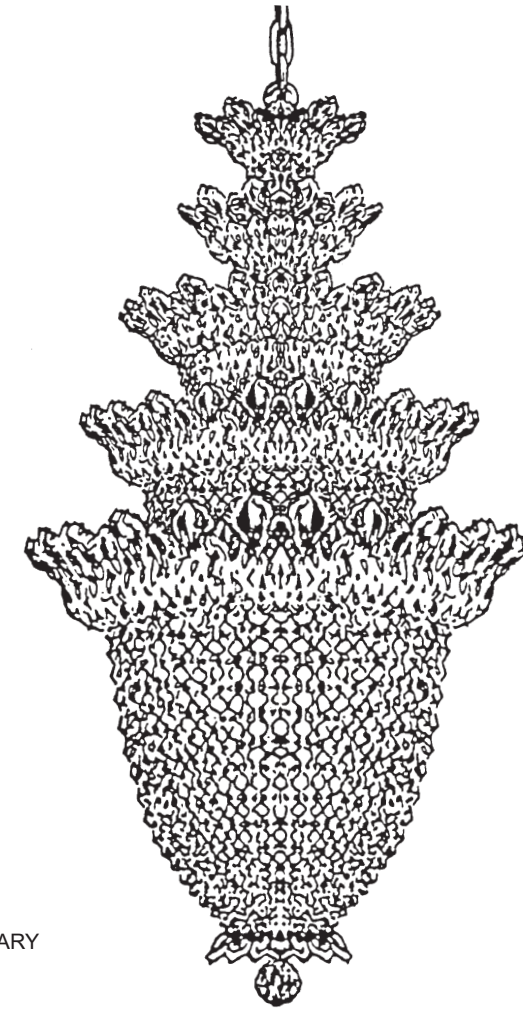




CHANDELIER 5849H TRIM DIAGRAM



THIS DESIGN IS THE PROPRIETARY TRADE DRESS/TRADEMARK OF W SCHONBEK LLC.

48 Lights
Diameter: 33"
Body Length: 51"



CAUTION... RISK OF ELECTRICAL SHOCK. Make sure the electrical supply to the chandelier is turned off at the main fuse or circuit breaker before doing any installation. All electrical components must be installed by a licensed electrician in accordance with the National Electric Code and the appropriate local electrical codes.

HANGING WEIGHT: 88 pounds.

BULBS: (33) Candle shaped candelabra base B10 bulbs, recommend 25 watts for best appearance.
(15) Globe shaped candelabra base G16-1/2 bulbs, recommend 25 watts for best appearance.

40 - Watts Maximum

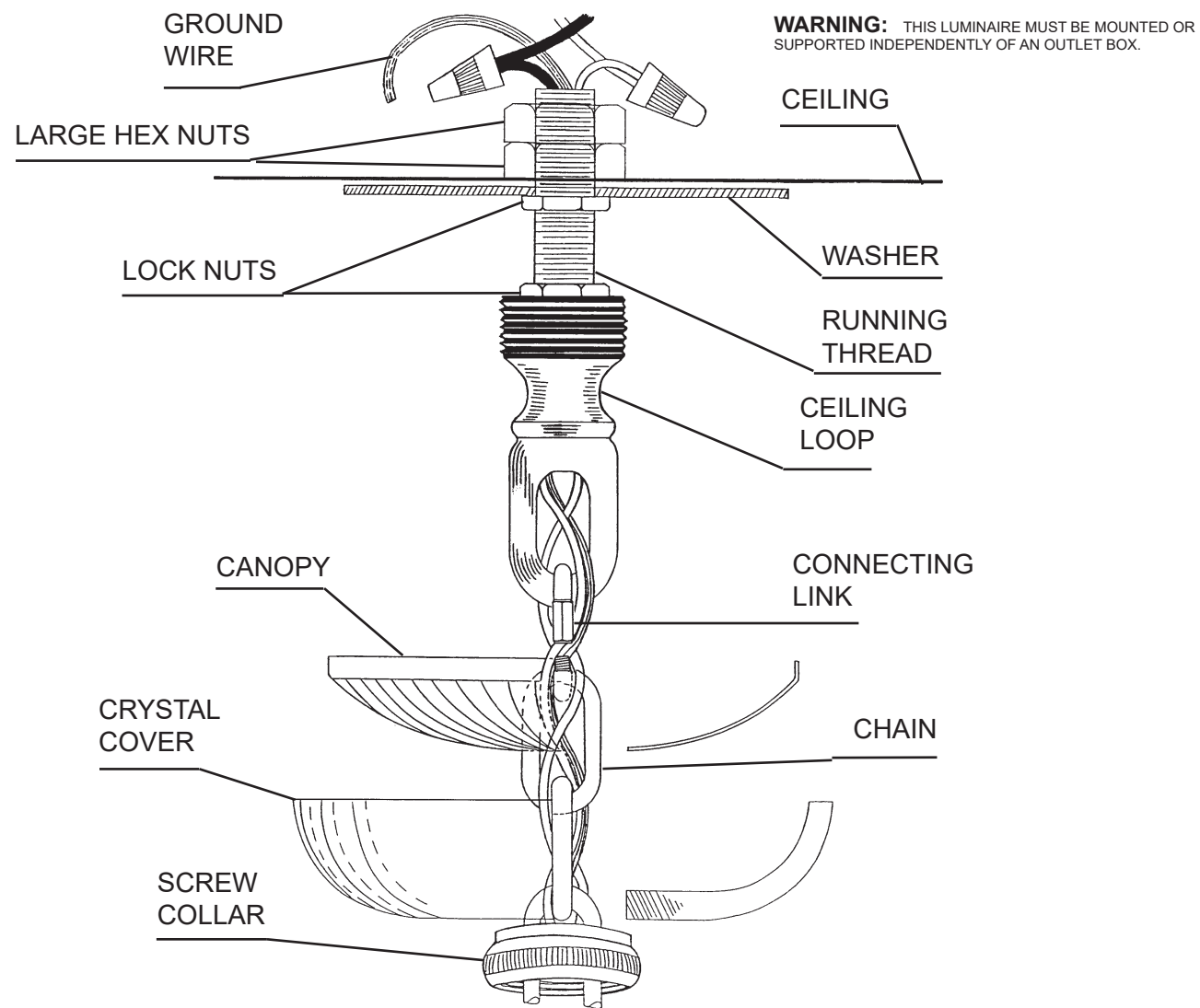
WARNING: This chandelier meets UL/CSA requirements. Any tampering will void UL/CSA certification.

**Follow steps in exact order
Save this trim diagram for future reference**

IMPORTANT

Please record the following information for future service.

CODE # _____ Four-digit number on outside of carton.
PACKER # _____ See crystal package label.
ORDER # _____ See crystal package label.



1 MAKE SURE POWER IS DISCONNECTED!!

2 Attach washer to supporting member in ceiling sufficient to support weight of fixture.

3 Slip screw collar, crystal cover and metal canopy over chain. Determine the suspension length of the fixture and cut chain, if necessary. Use two connecting links to attach chain to chandelier loop and ceiling loop.

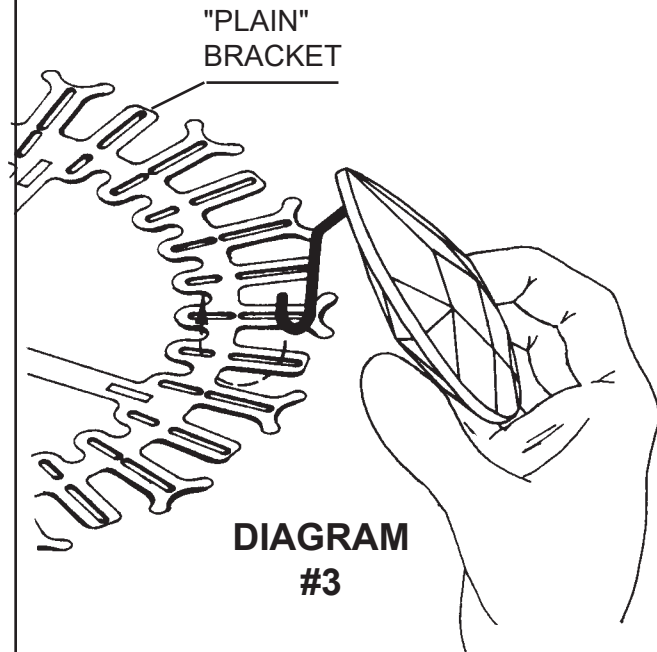
4 Insert stem wire through chain and ceiling loop. Connect wires, fixture MUST be grounded.

5 Check distance from ceiling to loop to assure canopy assembly will be flush against ceiling.

6 Attach canopy to ceiling with screw collar. Screw bulbs into all sockets. Test power to insure proper wiring before hanging trim from fixture.

NOTES:

Installation of Crystal "G" and "K"

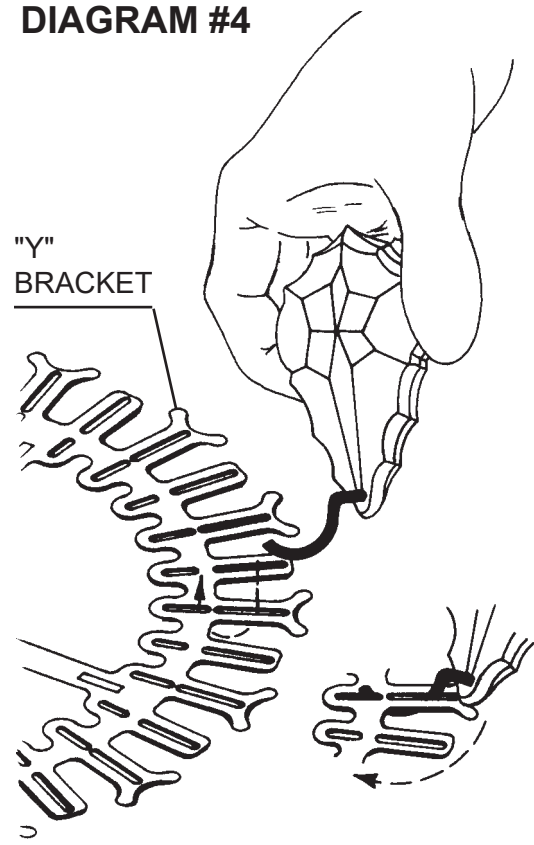


Position the crystal above the "plain" bracket so that the end of the hook enters the slot, gently push toward the center of the fixture and raise the crystal making sure that the end of the hook comes up through the inner slot, in line with the outer slot.

With the hook in the bracket, as shown, pivot the crystal downwards so that the hook rests in the end of the outer slot.



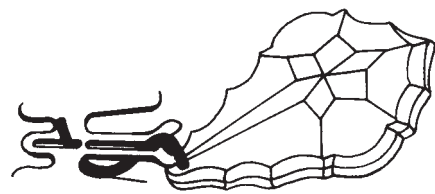
DIAGRAM #4



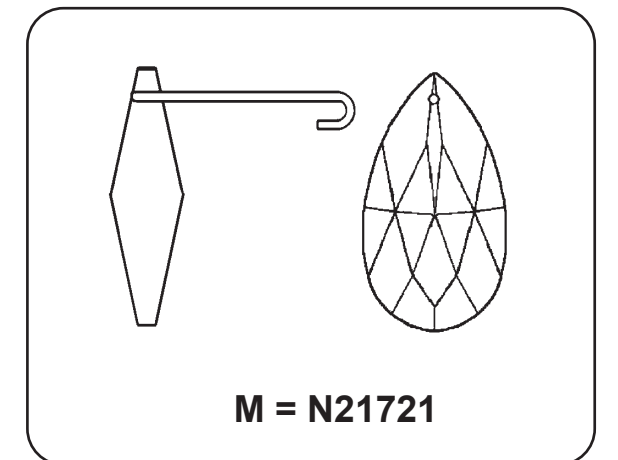
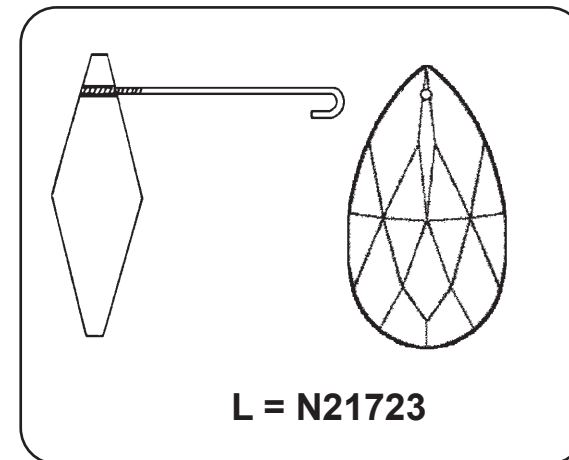
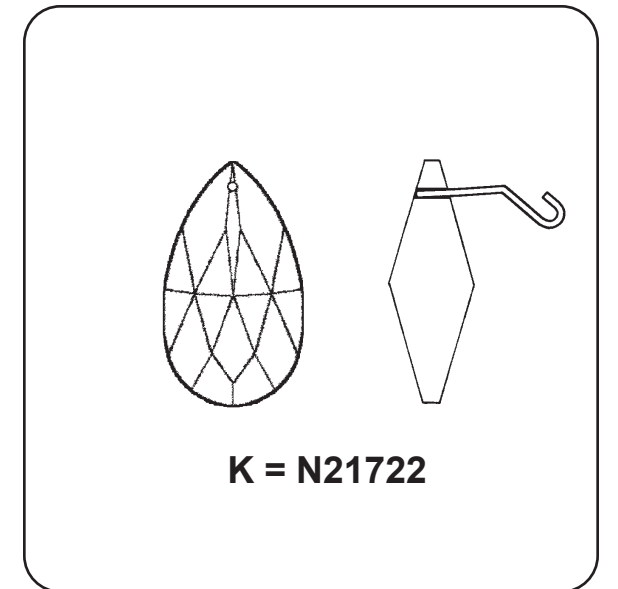
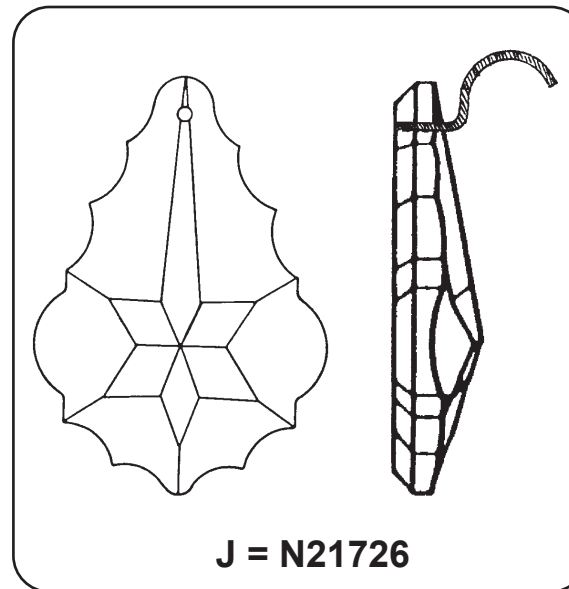
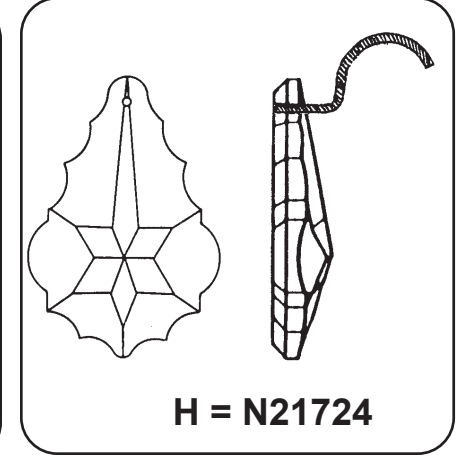
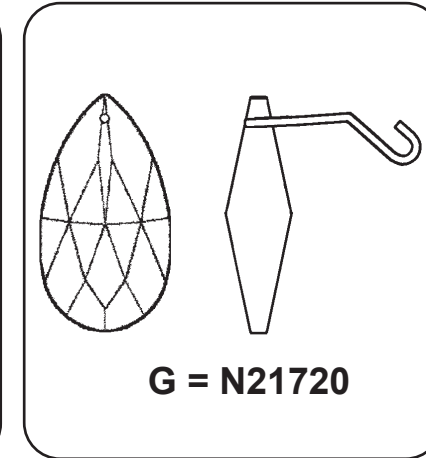
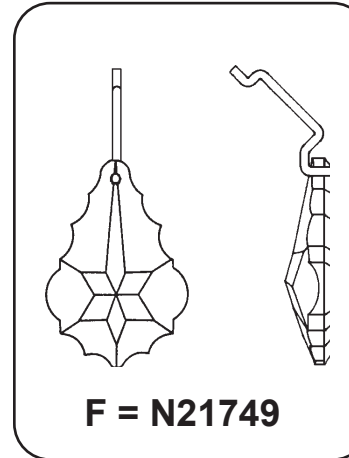
Installation of Crystal "H" and "J"

Position the crystal above the "Y" bracket so that the end of the hook enters the long slot, gently push toward the center of the fixture and raise the crystal making sure that the end of the hook comes up through the short slot, in line with the long slot.

With the hook in the bracket, as shown, pivot the crystal downwards so that the hook rests in the end of the long slot.



TRIM ID SHEET FOR ORDERING SPARE PARTS. PLEASE SAVE FOR CLEANING FIXTURE!



7 Hook Crystal Chain "A" into ring #2 and hook the bottom of the crystal chain into the washer. Close bottom hook after inserting into washer. Hook Crystal Chain "B" into ring #4 and hook the bottom of the crystal chain into the washer. Close bottom hook after inserting into washer.

Hook Crystal Chain "C" into ring #6 and hook the bottom of the crystal chain into the washer.

Close bottom hook after inserting into washer. Hook Crystal Chain "D" into ring #8 and hook the bottom of the crystal chain into the washer. Close bottom hook after inserting into washer.

8 Hook Crystal Chain "E" into ring #11. NOTE: Allow the bottom of Crystal Chain "E" to hang loose.

9 Hook Crystal "F" into the washer. (See diagram #1 for detailed instructions.) Hook the bottom of Chains "E" into the washer. Close bottom hook after inserting into washer.

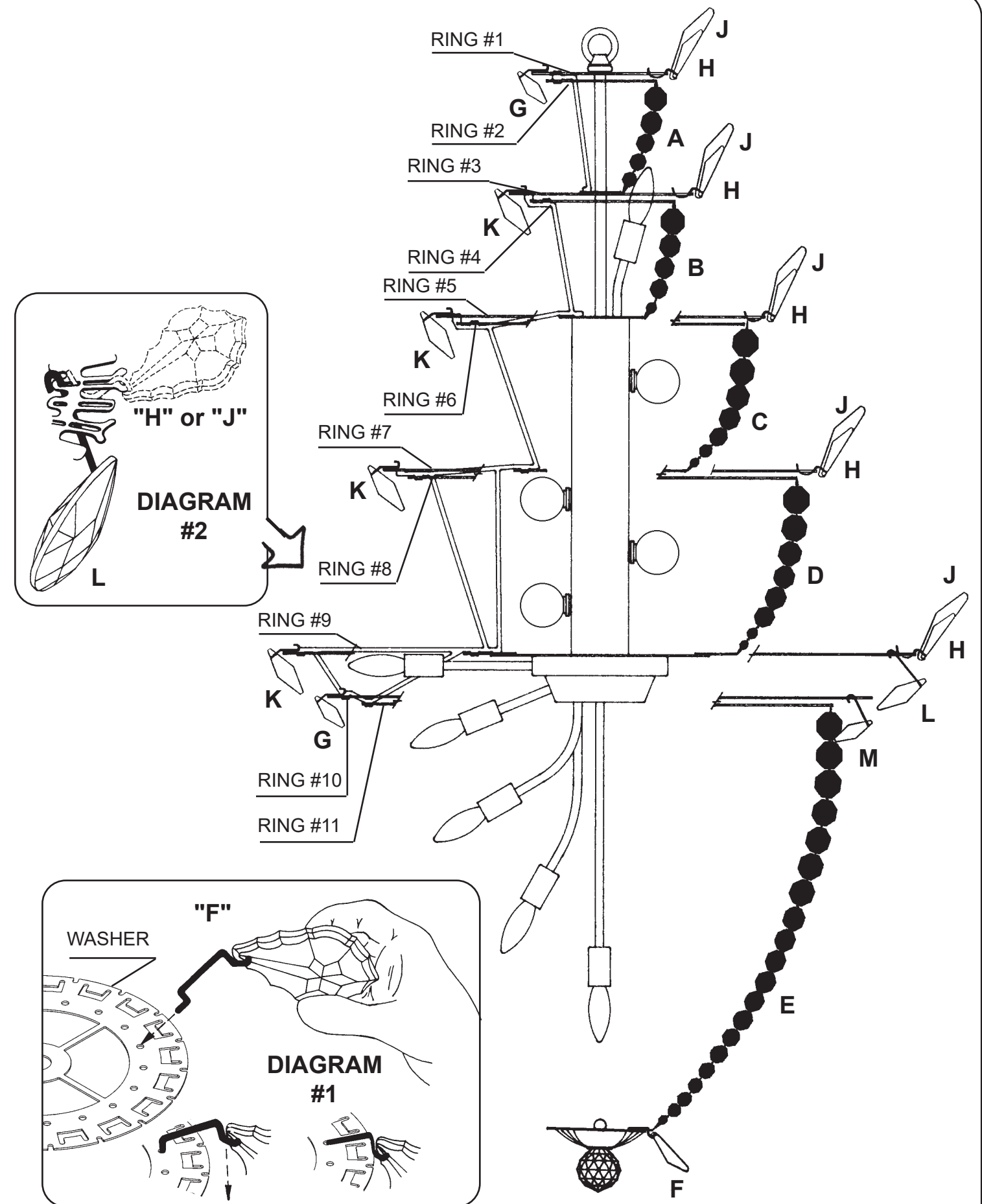
10 Hook Crystal "G" into the "plain" bracket of ring #1. (See diagram #3 on page 6 for detailed instructions.) Hook small Crystal "H" into every second "Y" bracket on ring #1. (See diagram #4 on page 6 for detailed instructions.) Hook large Crystal "J" into the remaining "Y" brackets on ring #1. (See diagram #4 on page 6 for detailed instructions.)

11 Hook Crystal "K" into the "plain" bracket of ring #3. (See diagram #3 on page 6 for detailed instructions.) Hook Crystal "H" into every second "Y" bracket of ring #3. (See diagram #4 on page 6 for detailed instructions.) Hook Crystal "J" into the remaining "Y" brackets on ring #3. (See diagram #4 on page 6 for detailed instructions.)

12 Repeat Step #11 for rings #5 & #7.

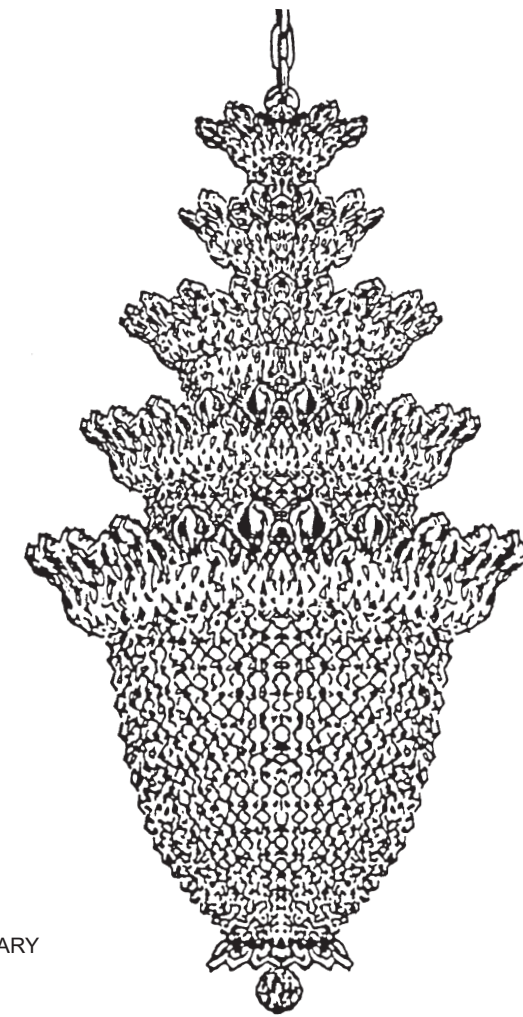
13 Hook Crystal "M" into the back slot (the "Y" is cut off) on ring #10. Hook Crystal "G" into the "plain" bracket on ring #10. (See diagram #3 on page 6 for detailed instructions.) Hook Crystal "L" into the back slot of the "Y" brackets on ring #9. (See diagram #4 for detailed instructions.)

14 Repeat Step #11 for ring #9.





CHANDELIER 5849R TRIM DIAGRAM



THIS DESIGN IS THE PROPRIETARY TRADE DRESS/TRADEMARK OF W SCHONBEK LLC.

48 Lights
Diameter: 33"
Body Length: 51"



CAUTION... RISK OF ELECTRICAL SHOCK. Make sure the electrical supply to the chandelier is turned off at the main fuse or circuit breaker before doing any installation. All electrical components must be installed by a licensed electrician in accordance with the National Electric Code and the appropriate local electrical codes.

HANGING WEIGHT: 88 pounds.

BULBS: (33) Candle shaped candelabra base B10 bulbs, recommend 25 watts for best appearance.
(15) Globe shaped candelabra base G16-1/2 bulbs, recommend 25 watts for best appearance.
40 - Watts Maximum

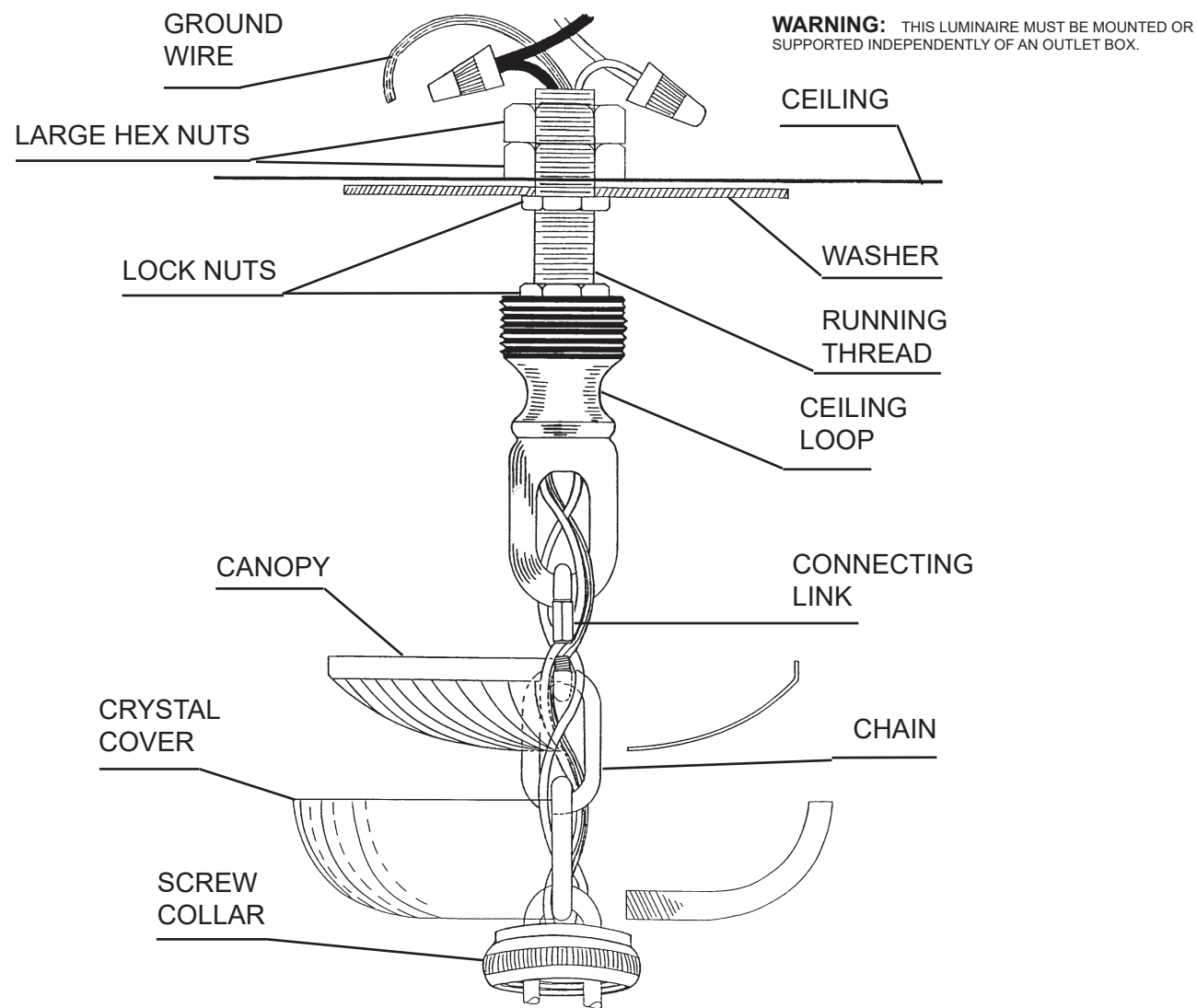
WARNING: This chandelier meets UL/CSA requirements. Any tampering will void UL/CSA certification.

**Follow steps in exact order
Save this trim diagram for future reference**

IMPORTANT

Please record the following information for future service.

CODE # _____ Four-digit number on outside of carton.
PACKER # _____ See crystal package label.
ORDER # _____ See crystal package label.



WARNING: THIS LUMINAIRE MUST BE MOUNTED OR SUPPORTED INDEPENDENTLY OF AN OUTLET BOX.

NOTES:

1 MAKE SURE POWER IS DISCONNECTED!!

2 Attach washer to supporting member in ceiling sufficient to support weight of fixture.

3 Slip screw collar, crystal cover and metal canopy over chain. Determine the suspension length of the fixture and cut chain, if necessary. Use two connecting links to attach chain to chandelier loop and ceiling loop.

4 Insert stem wire through chain and ceiling loop. Connect wires, fixture MUST be grounded.

5 Check distance from ceiling to loop to assure canopy assembly will be flush against ceiling.

6 Attach canopy to ceiling with screw collar. Screw bulbs into all sockets. Test power to insure proper wiring before hanging trim from fixture.

Installation of Crystal "G" and "K"

Position the crystal above the "plain" bracket so that the end of the hook enters the slot, gently push toward the center of the fixture and raise the crystal making sure that the end of the hook comes up through the inner slot, in line with the outer slot.

With the hook in the bracket, as shown, pivot the crystal downwards so that the hook rests in the end of the outer slot.

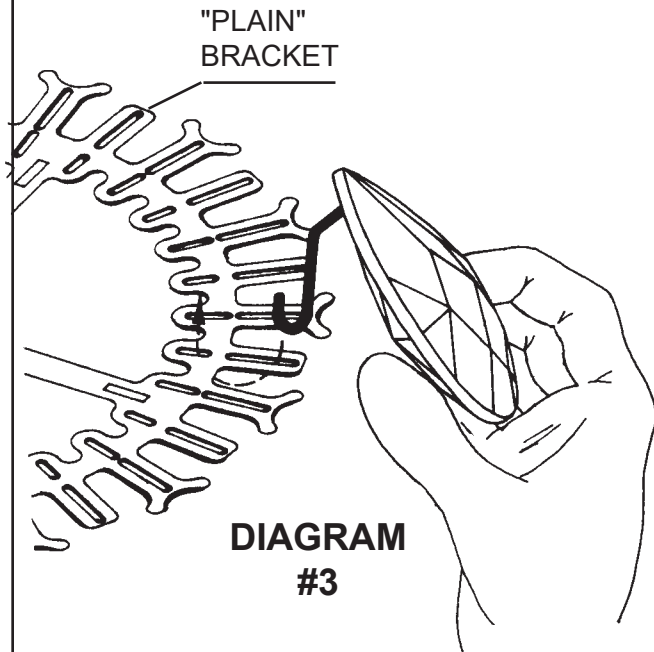


DIAGRAM
#3

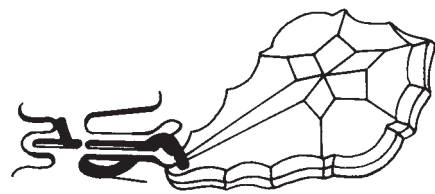
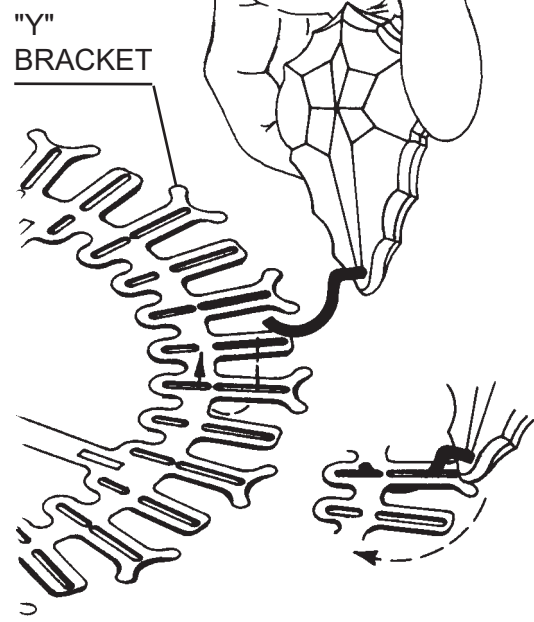


DIAGRAM #4

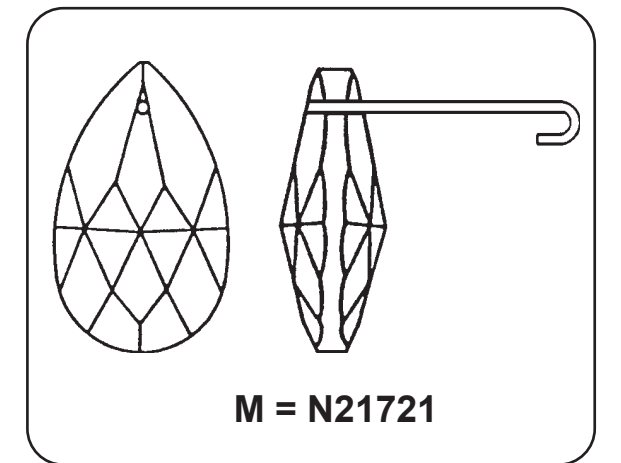
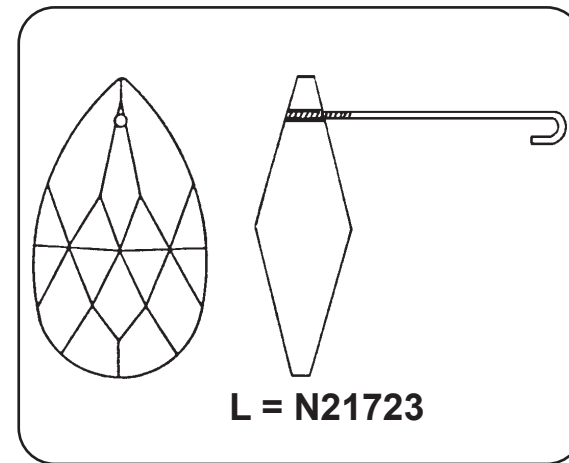
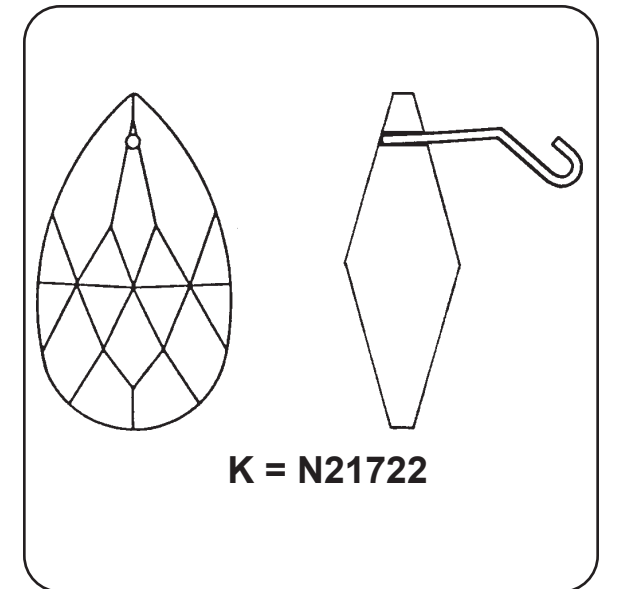
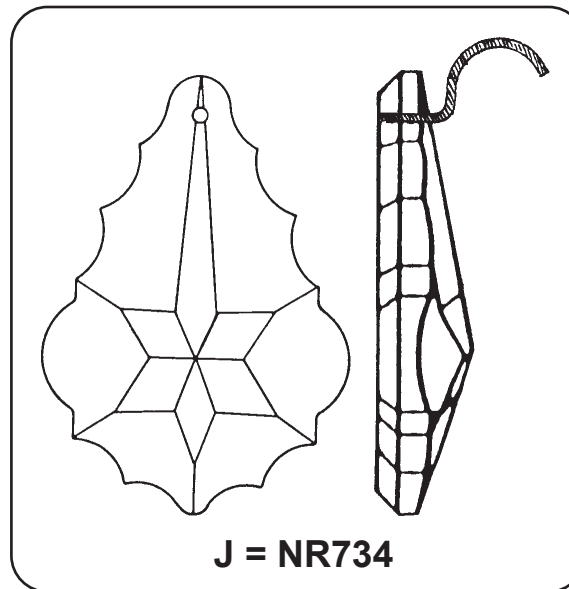
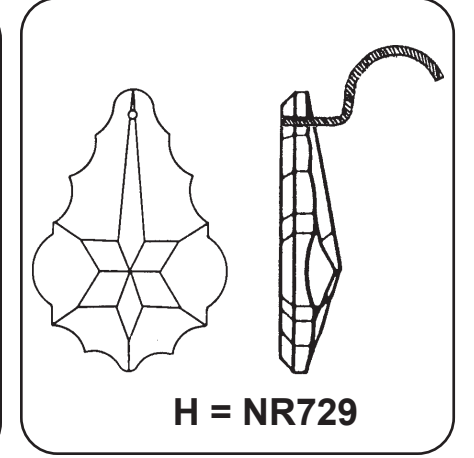
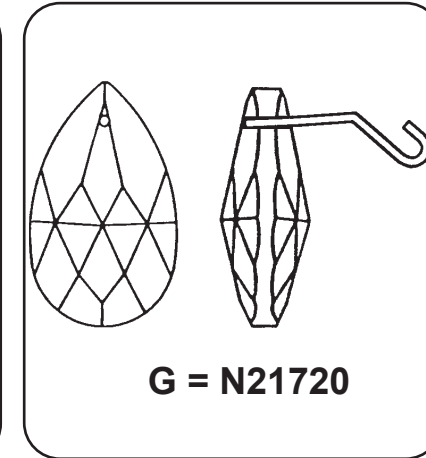
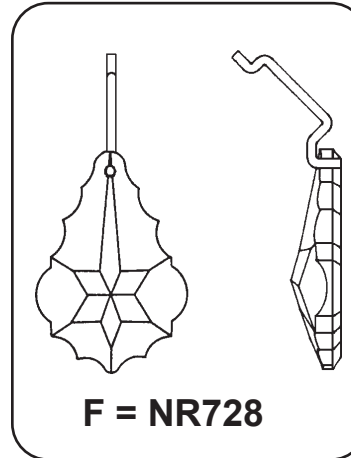
Installation of Crystal "H" and "J"

Position the crystal above the "Y" bracket so that the end of the hook enters the long slot, gently push toward the center of the fixture and raise the crystal making sure that the end of the hook comes up through the short slot, in line with the long slot.

With the hook in the bracket, as shown, pivot the crystal downwards so that the hook rests in the end of the long slot.



TRIM ID SHEET FOR ORDERING SPARE PARTS. PLEASE SAVE FOR CLEANING FIXTURE!



7 Hook Crystal Chain "A" into ring #2 and hook the bottom of the crystal chain into the washer. Close bottom hook after inserting into washer. Hook Crystal Chain "B" into ring #4 and hook the bottom of the crystal chain into the washer. Close bottom hook after inserting into washer. Hook Crystal Chain "C" into ring #6 and hook the bottom of the crystal chain into the washer. Close bottom hook after inserting into washer. Hook Crystal Chain "D" into ring #8 and hook the bottom of the crystal chain into the washer. Close bottom hook after inserting into washer.

8 Hook Crystal Chain "E" into ring #11. NOTE: Allow the bottom of Crystal Chain "E" to hang loose.

9 Hook Crystal "F" into the washer. (See diagram #1 for detailed instructions.)
Hook the bottom of Chains "E" into the lexan washer. Close bottom hook after inserting into washer.

10 Hook Crystal "G" into the "plain" bracket of ring #1. (See diagram #3 on page 6 for detailed instructions.)
Hook small Crystal "H" into every second "Y" bracket on ring #1. (See diagram #4 on page 6 for detailed instructions.)
Hook large Crystal "J" into the remaining "Y" brackets on ring #1. (See diagram #4 on page 6 for detailed instructions.)

11 Hook Crystal "K" into the "plain" bracket of ring #3. (See diagram #3 on page 6 for detailed instructions.)
Hook Crystal "H" into every second "Y" bracket of ring #3. (See diagram #4 on page 6 for detailed instructions.)
Hook Crystal "J" into the remaining "Y" brackets on ring #3. (See diagram #4 on page 6 for detailed instructions.)

12 Repeat Step #11 for rings #5 & #7.

13 Hook Crystal "M" into the back slot (the "Y" is cut off) on ring #10. Hook Crystal "G" into the "plain" bracket on ring #10. (See diagram #3 on page 6 for detailed instructions.) Hook Crystal "L" into the back slot of the "Y" brackets on ring #9. (See diagram #4 for detailed instructions.)

14 Repeat Step #11 for ring #9.

