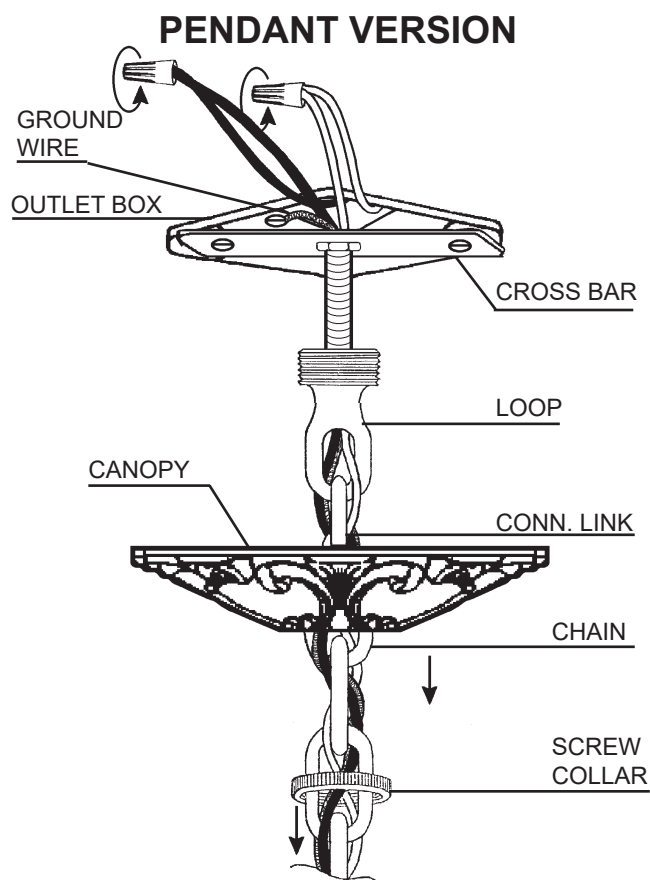


Instructions for electrician
STEPS 2 - 6

2 **WARNING:**

Electrical Danger **Turn Power Off**

All electrical components must be installed by a licensed electrician in accordance with the National Electric Code and the appropriate local electrical codes.



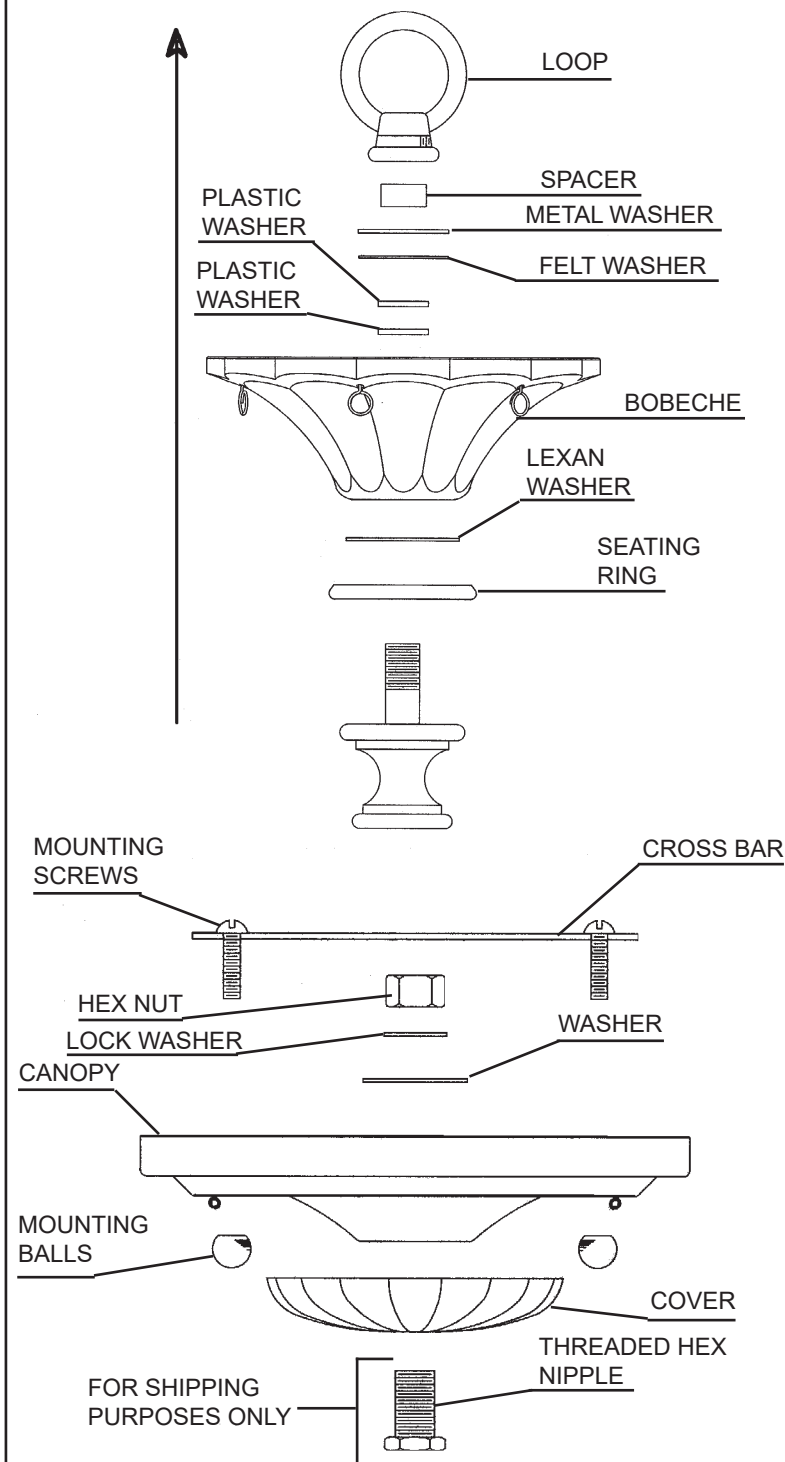
3 Attach crossbar to outlet box.

4 Slip screw collar and metal canopy over chain. Determine the suspension length of the fixture and cut chain, if necessary. Use two connecting links to attach chain to chandelier loop and ceiling loop.

5 Insert stem wire through chain and ceiling loop. Connect wire. Fixture **MUST** be grounded. Check distance from ceiling to loop to assure canopy assembly will be flush against ceiling and tighten with lock nut. Attach canopy to ceiling with screw collar.

6 Screw bulbs into sockets. Test power to insure proper wiring before hanging trim from fixture.

CLOSE TO CEILING VERSION



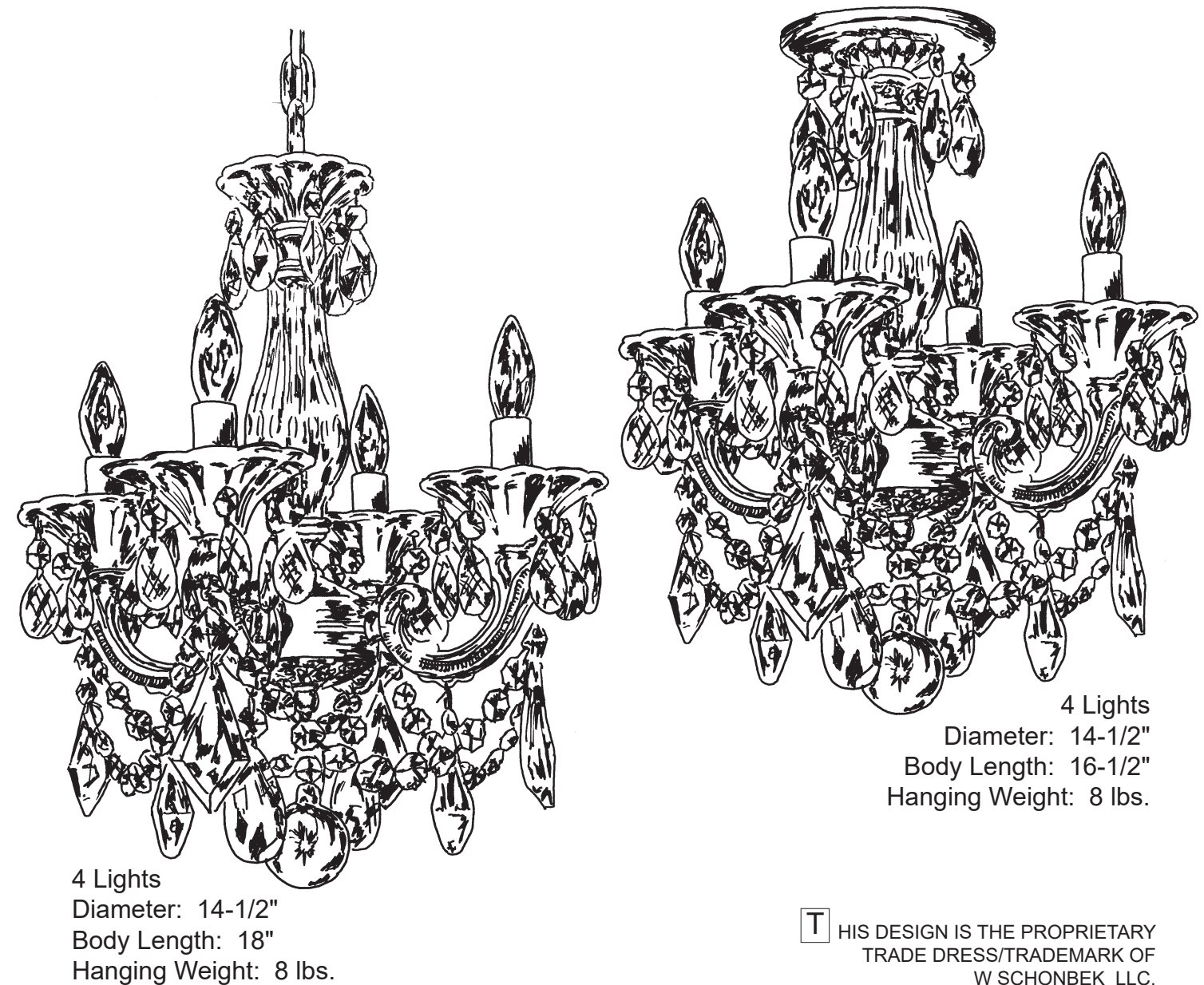
3 Remove set screw from loop with tool provided. Remove all component parts from loop to seating ring. Remove threaded hex nipple and nut from assembled canopy. Run wires up through cover, canopy and component parts and tighten hex nut.

4 Attach cross bar to outlet box. Connect wire.

5 Attach canopy to ceiling with mounting balls, thereby retaining complete fixture against ceiling.

6 Screw bulbs into sockets. Test power to insure proper wiring before hanging trim from fixture.

CHANDELIER 5344- _____ TRIM DIAGRAM
(Finish Option)



T HIS DESIGN IS THE PROPRIETARY TRADE DRESS/TRADEMARK OF W SCHONBEK LLC.



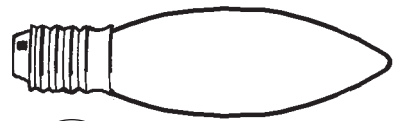
See diagram on back page
Follow steps in exact order
Save this trim diagram for future reference

1 **IMPORTANT**
Person who opens carton should record the following information for future service.

CODE # _____	Four-digit number on outside of carton.
PACKER # _____	See crystal package label.
ORDER # _____	See crystal package label.



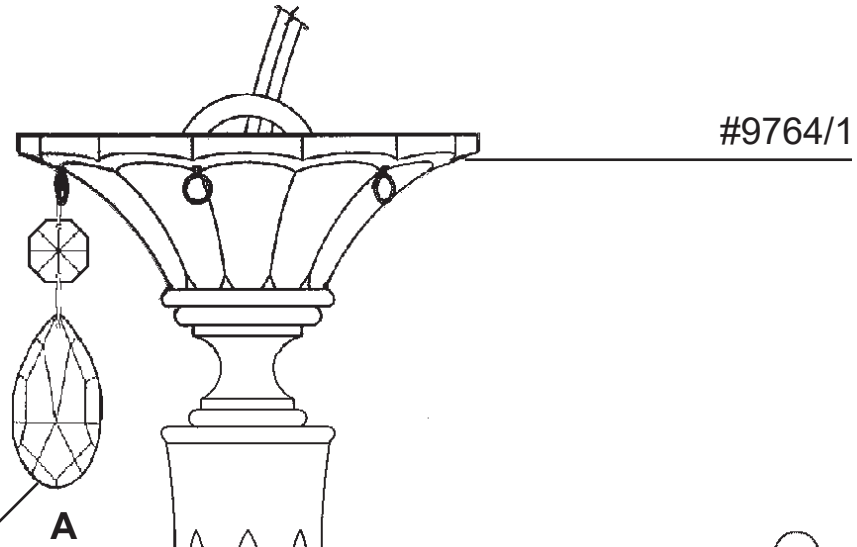
Instructions for crystal trimming
STEPS 7 - 14



7

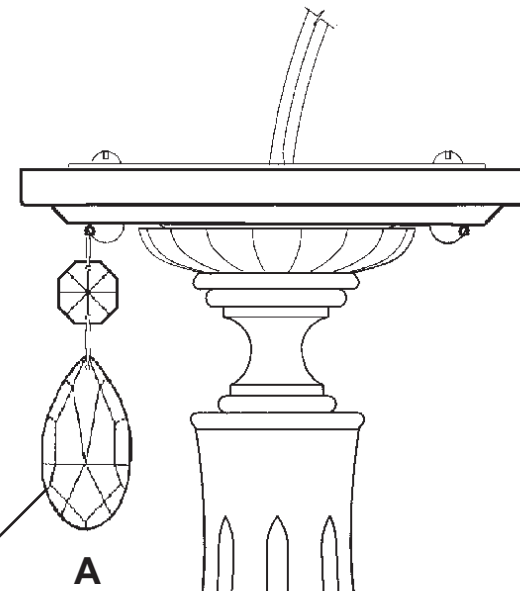
You will need 4 - B10
25 Watts Recommended
40 Watts Max

Install bulbs and be
sure to test fixture
BEFORE trimming.



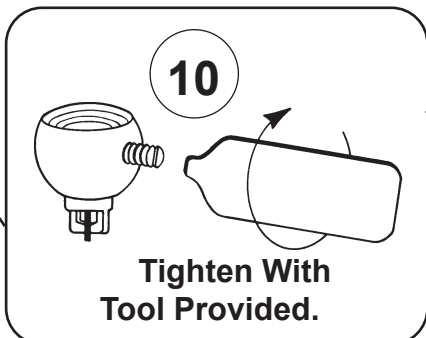
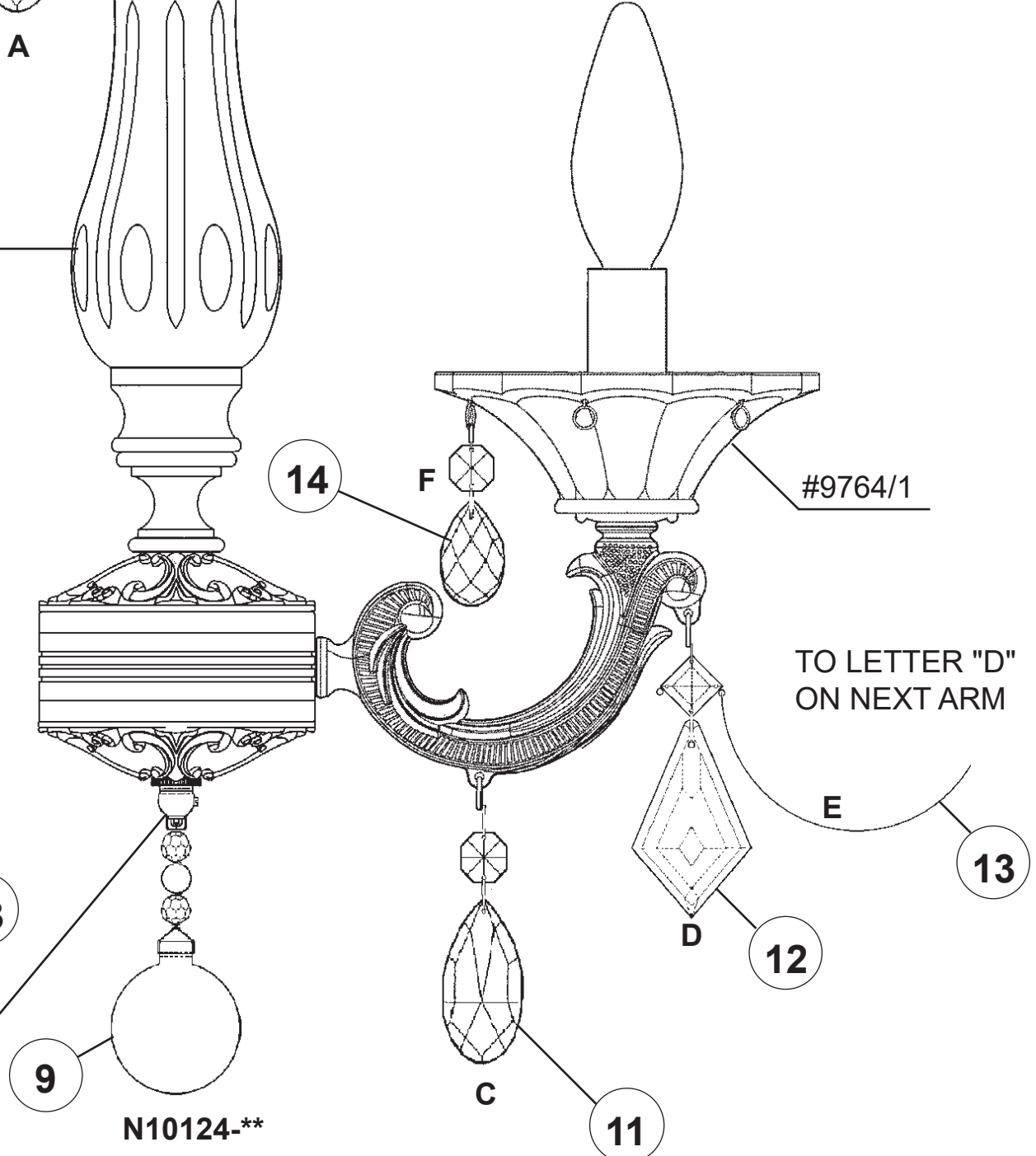
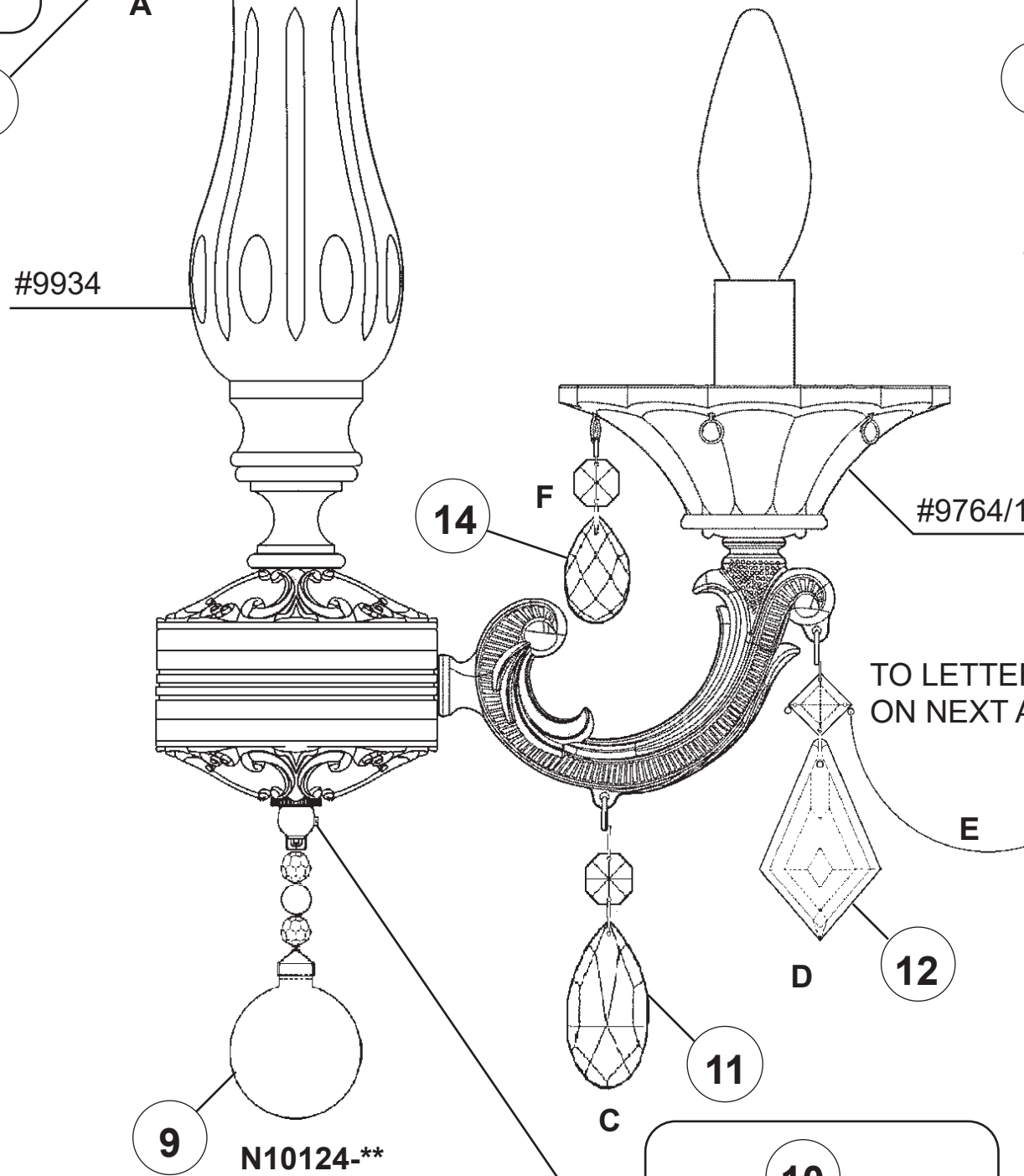
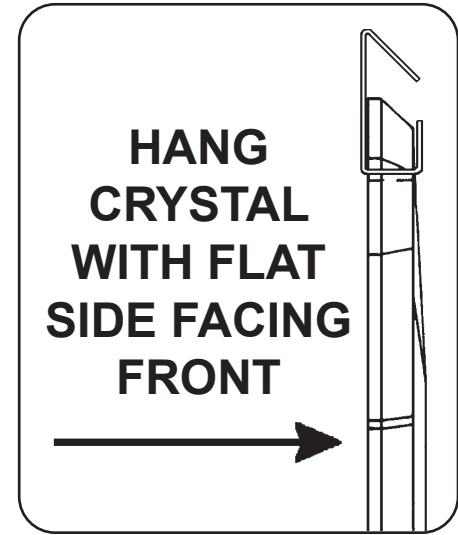
8

#9934

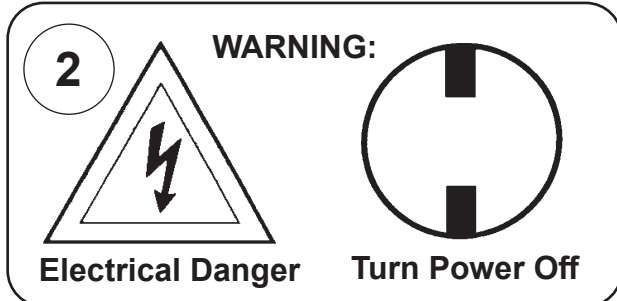


8

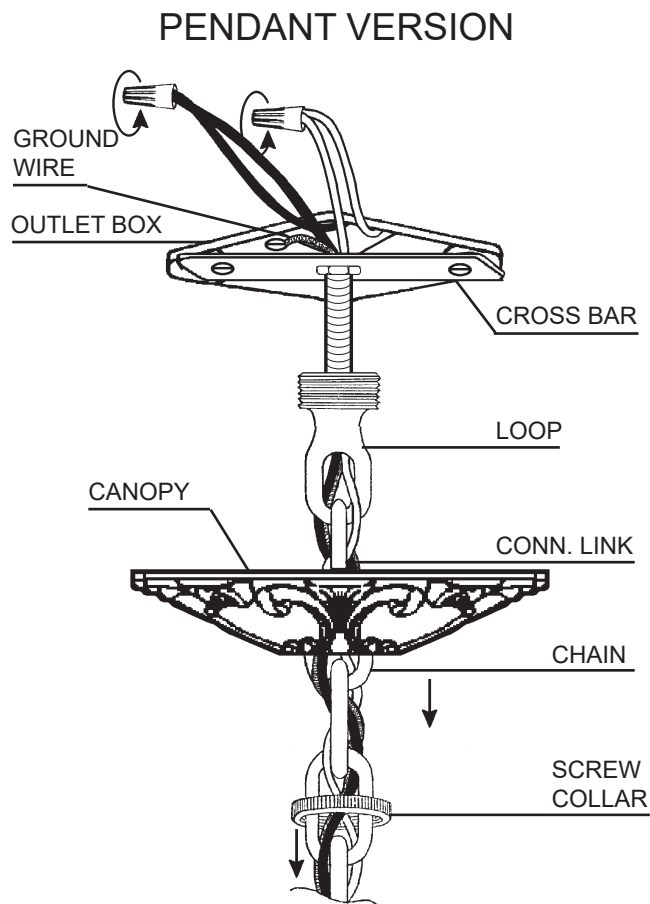
#9934



Instructions for electrician STEPS 2 - 6



All electrical components must be installed by a licensed electrician in accordance with the National Electric Code and the appropriate local electrical codes.



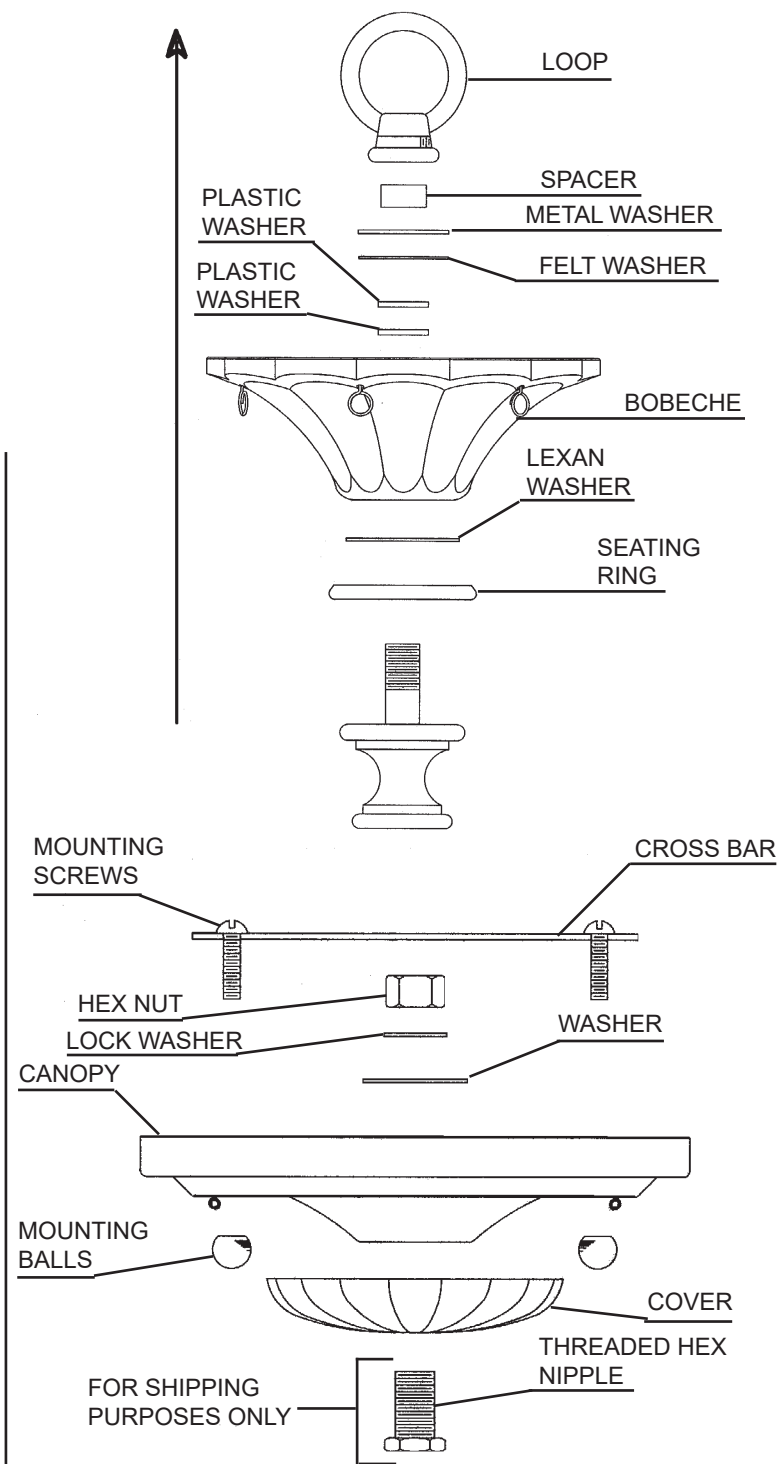
3 Attach crossbar to outlet box.

4 Slip screw collar and metal canopy over chain. Determine the suspension length of the fixture and cut chain, if necessary. Use two connecting links to attach chain to chandelier loop and ceiling loop.

5 Insert stem wire through chain and ceiling loop. Connect wire. Fixture **MUST** be grounded. Check distance from ceiling to loop to assure canopy assembly will be flush against ceiling and tighten with lock nut. Attach canopy to ceiling with screw collar.

6 Screw bulbs into sockets. Test power to insure proper wiring before hanging trim from fixture.

CLOSE TO CEILING VERSION



3 Remove set screw from loop with tool provided. Remove all component parts from loop to seating ring. Remove threaded hex nipple and nut from assembled canopy. Run wires up through cover, canopy and component parts and tighten hex nut.

4 Attach cross bar to outlet box. Connect wire.

5 Attach canopy to ceiling with mounting balls, thereby retaining complete fixture against ceiling.

6 Screw bulbs into sockets. Test power to insure proper wiring before hanging trim from fixture.

CHANDELIER 5344-___ __R TRIM DIAGRAM

(Finish Option)



4 Lights
Diameter: 14-1/2"
Body Length: 18"
Hanging Weight: 8 lbs.

4 Lights
Diameter: 14-1/2"
Body Length: 16-1/2"
Hanging Weight: 8 lbs.

THIS DESIGN IS THE PROPRIETARY TRADE DRESS/TRADEMARK OF W SCHONBEK LLC.



SCHONBEK | 1870

**See diagram on back page
Follow steps in exact order
Save this trim diagram for future reference**

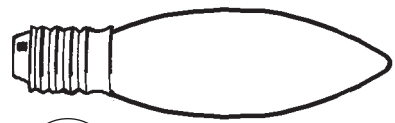
1

IMPORTANT
Person who opens carton should record the following information for future service.

CODE # _____ Four-digit number on outside of carton.
PACKER # _____ See crystal package label.
ORDER # _____ See crystal package label.



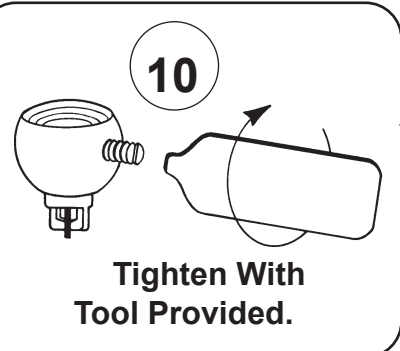
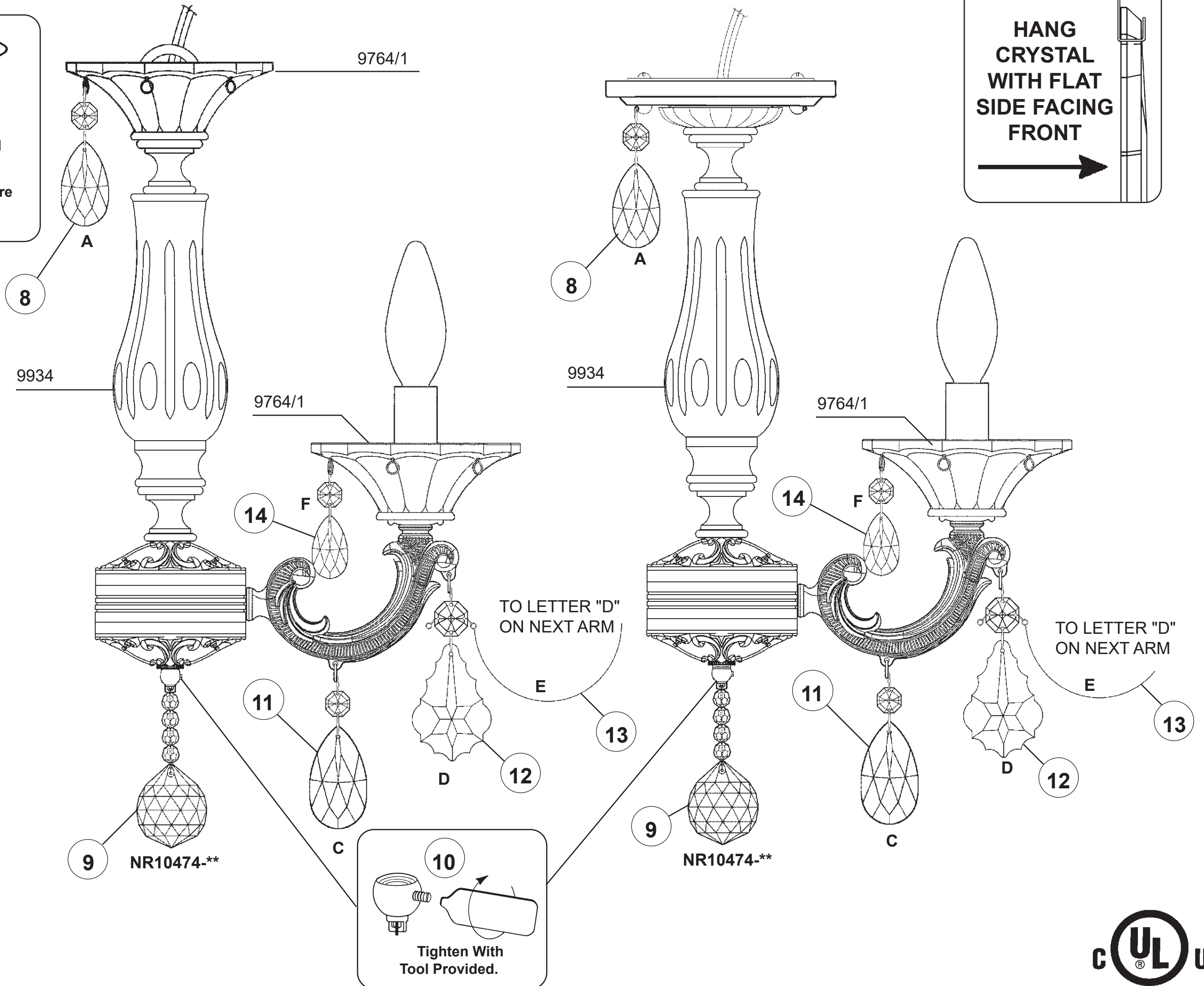
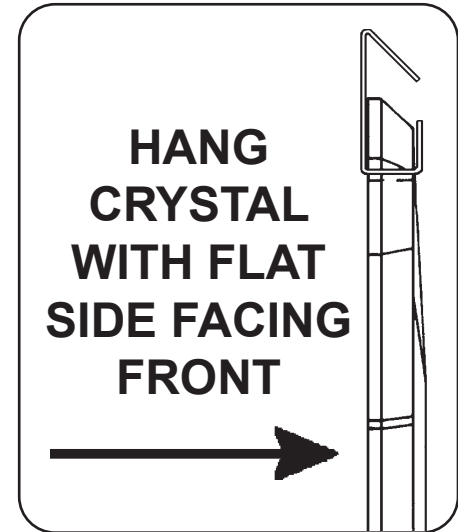
Instructions for crystal trimming
STEPS 7 - 14



7

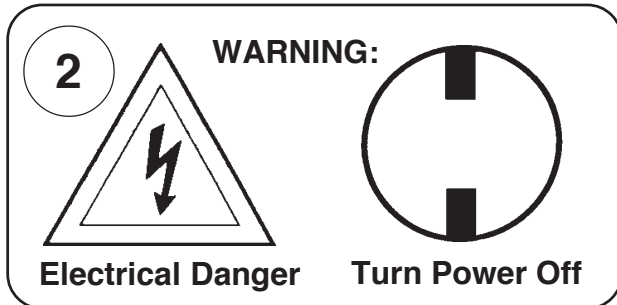
You will need 4 - B10
25 Watts Recommended
40 Watts Max

**Install bulbs and be sure
to test fixture BEFORE
trimming.**



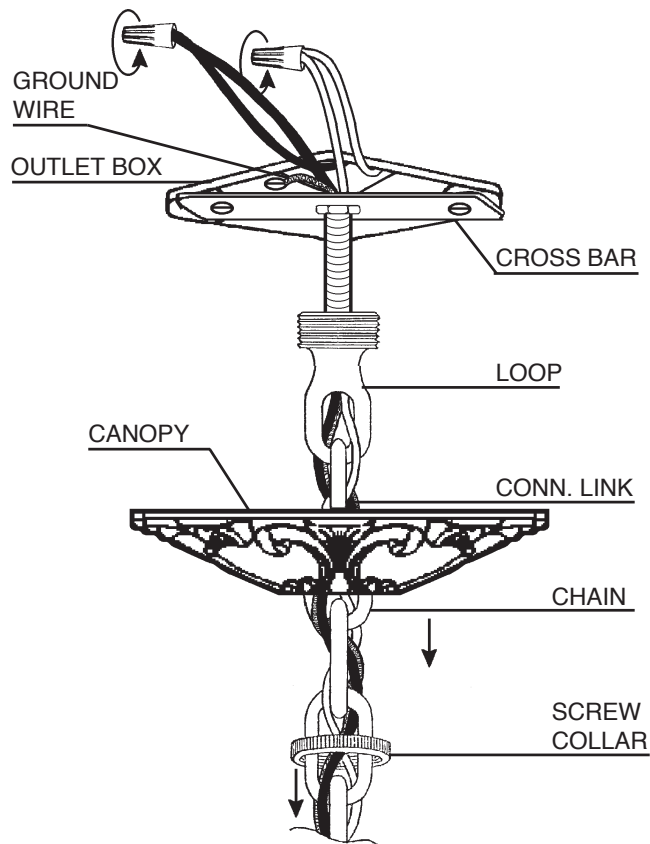
Instructions for electrician

STEPS 2 - 6



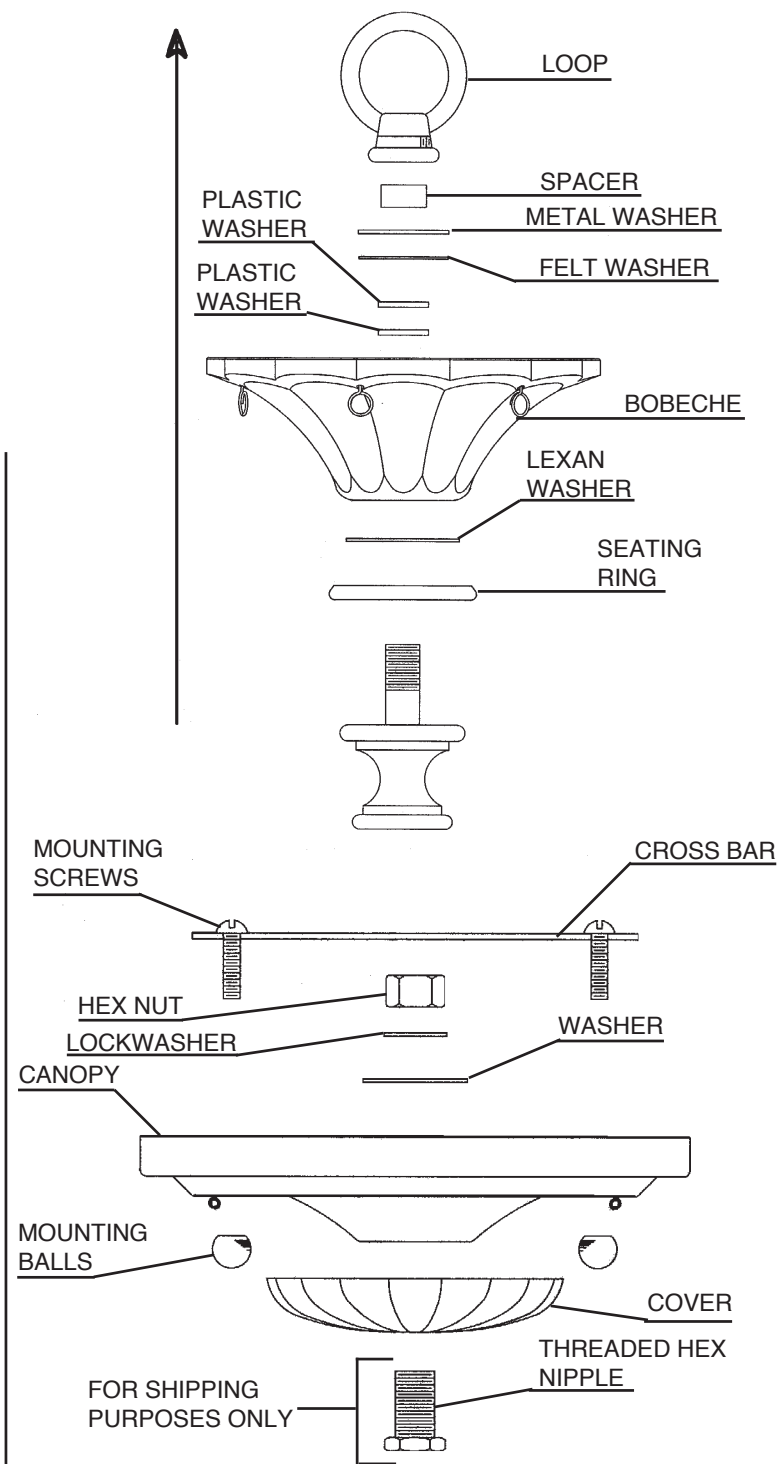
All electrical components must be installed by a licensed electrician in accordance with the National Electric Code and the appropriate local electrical codes.

PENDANT VERSION



- 3** Attach crossbar to outlet box.
- 4** Slip screw collar and metal canopy over chain. Determine the suspension length of the fixture and cut chain, if necessary. Use two connecting links to attach chain to chandelier loop and ceiling loop.
- 5** Insert stem wire through chain and ceiling loop. Connect wire. Fixture **MUST** be grounded. Check distance from ceiling to loop to assure canopy assembly will be flush against ceiling and tighten with lock nut. Attach canopy to ceiling with screw collar.
- 6** Screw bulbs into sockets. Test power to insure proper wiring before hanging trim from fixture.

CLOSE TO CEILING VERSION



- 3** Remove set screw from loop with tool provided. Remove all component parts from loop to seating ring. Remove threaded hex nipple and nut from assembled canopy. Run wires up through cover, canopy and component parts and tighten hex nut.
- 4** Attach cross bar to outlet box. Connect wire.
- 5** Attach canopy to ceiling with mounting balls, thereby retaining complete fixture against ceiling.
- 6** Screw bulbs into sockets. Test power to insure proper wiring before hanging trim from fixture.

CHANDELIER 5344- _____ TRIM DIAGRAM

(Finish Option) (Trim Option)



4 Lights
Diameter: 14-1/2"
Body Length: 18"
Hanging Weight: 8 lbs.

4 Lights
Diameter: 14-1/2"
Body Length: 16-1/2"
Hanging Weight: 8 lbs.

THIS DESIGN IS THE PROPRIETARY TRADE DRESS/TRADE MARK OF SCHONBEK WORLDWIDE LIGHTING INC.

SCHONBEK®

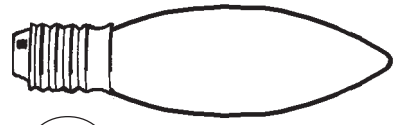
See diagram on back page
Follow steps in exact order
Save this trim diagram for future reference

1

IMPORTANT
Person who opens carton should record the following information for future service.

CODE # _____ Four-digit number on outside of carton.
PACKER # _____ See crystal package label.
ORDER # _____ See crystal package label.

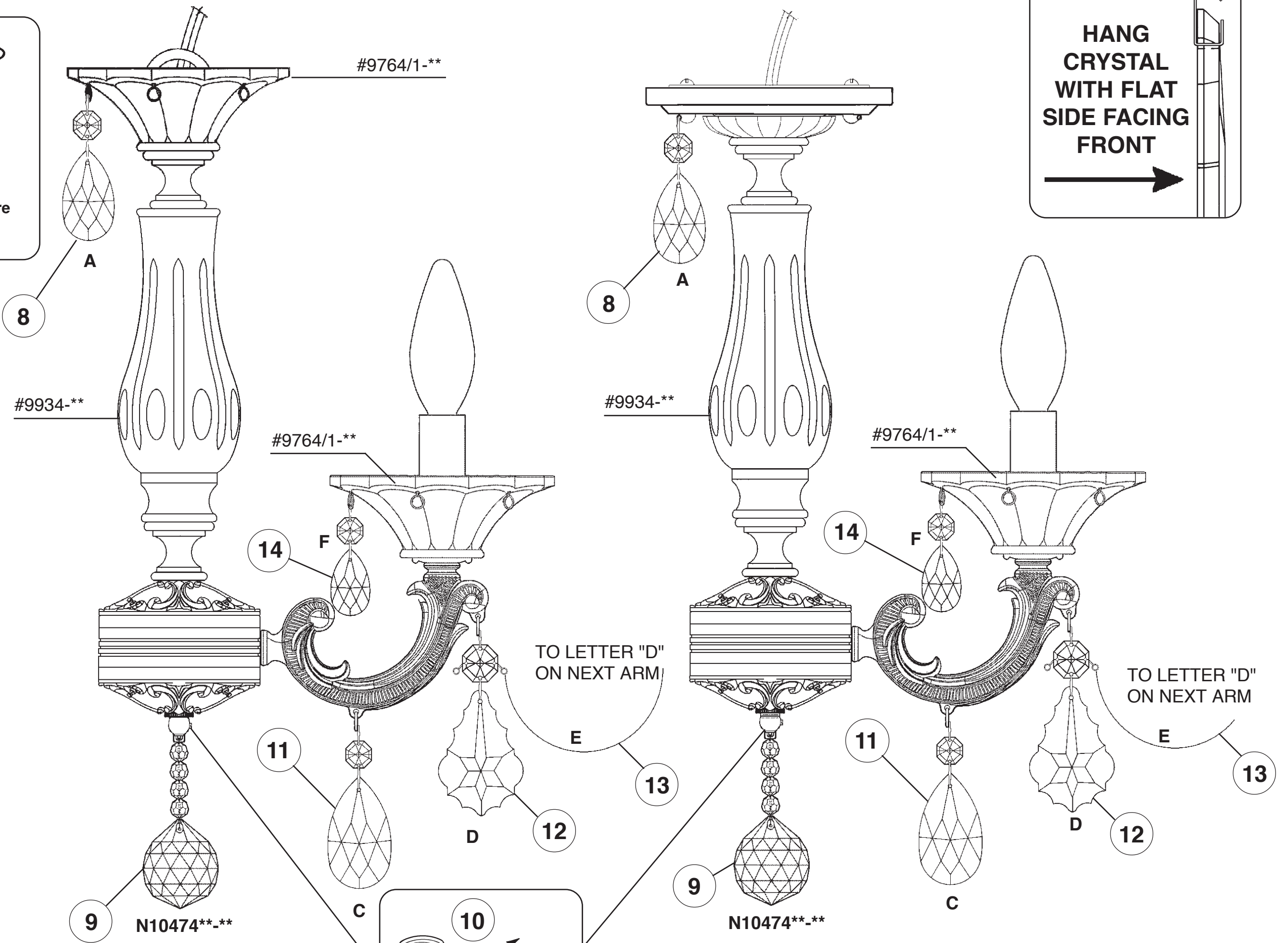
**Instructions for crystal
trimming
STEPS 7 - 14**



7

You will need 4 - B10
25 Watts Recommended
40 Watts Max

Install bulbs and be sure
to test fixture **BEFORE**
trimming.



**HANG
CRYSTAL
WITH FLAT
SIDE FACING
FRONT**

10

**Tighten With
Tool Provided.**

TO LETTER "D"
ON NEXT ARM!

TO LETTER "D"
ON NEXT ARM

