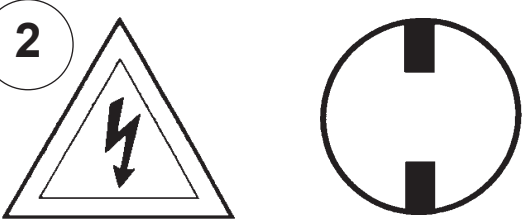


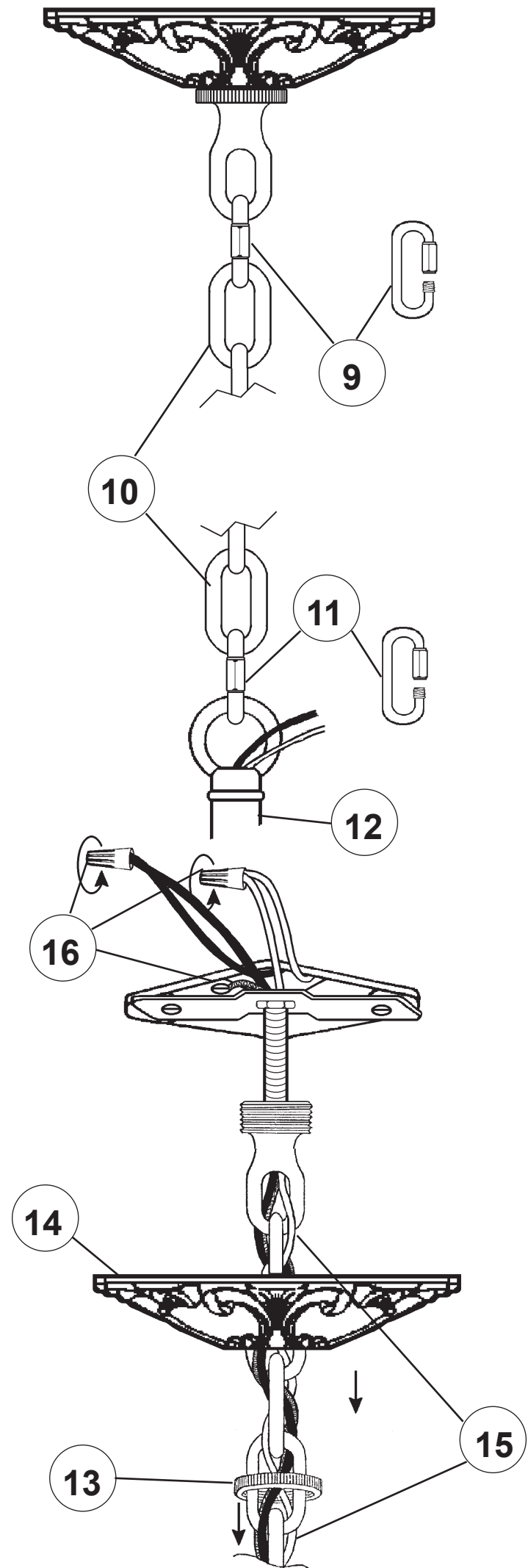
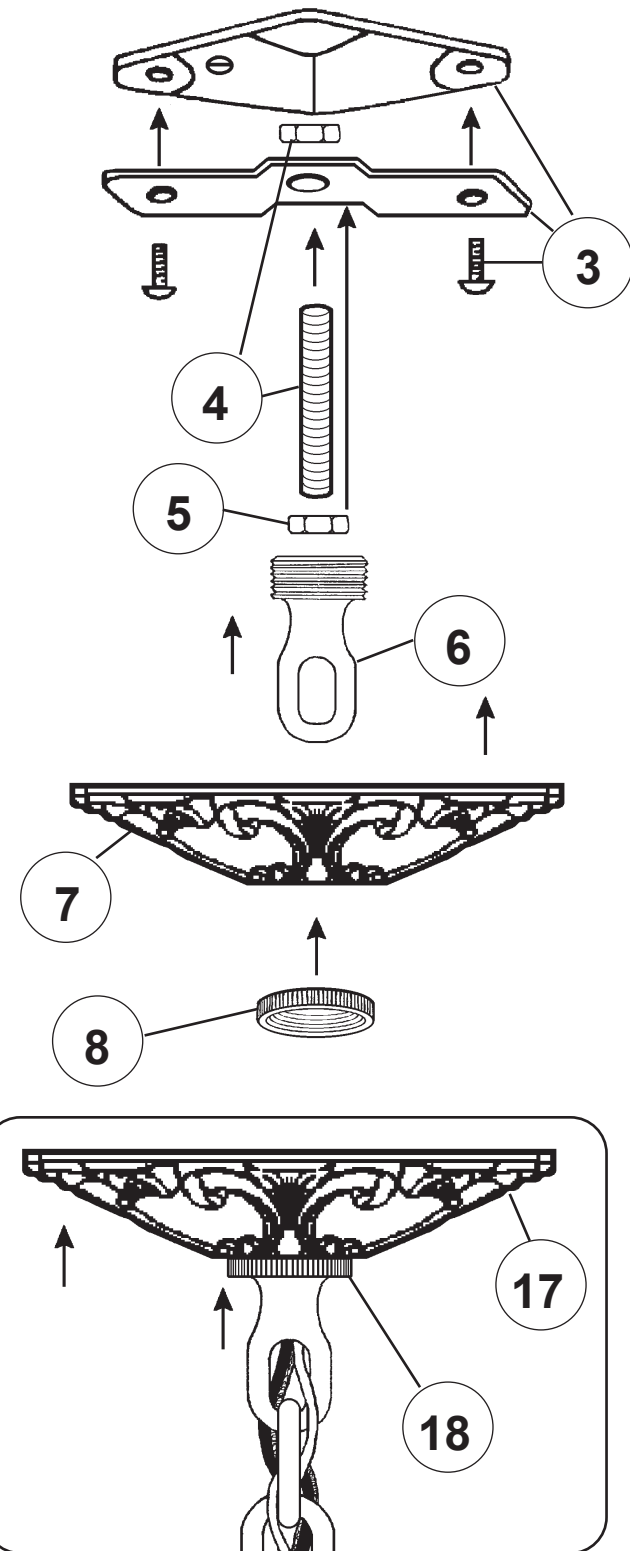
**Instructions for electrician**  
**STEPS 2 - 18**

**WARNING:**



**Electrical Danger Turn Power Off**

All electrical components must be installed by a licensed electrician in accordance with the National Electric Code and the appropriate local electrical codes.



**CHANDELIER 5075-\_\_\_ TRIM DIAGRAM**  
(FINISH OPTION)

THIS DESIGN IS THE PROPRIETARY TRADE DRESS/TRADEMARK OF W SCHONBEK LLC.



15 Lights  
Diameter: 28"  
Body Length: 32"  
Hanging Weight: 44 lbs



**See diagram on back page**  
**Follow steps in exact order**  
**Save this trim diagram for future reference**

**1 IMPORTANT**  
*Person who opens carton should record the following information for future service.*  
CODE # \_\_\_\_\_ Four-digit number on outside of carton.  
PACKER # \_\_\_\_\_ See crystal package label.  
ORDER # \_\_\_\_\_ See crystal package label.

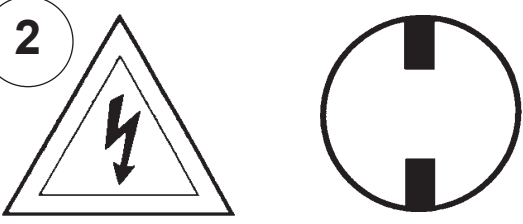






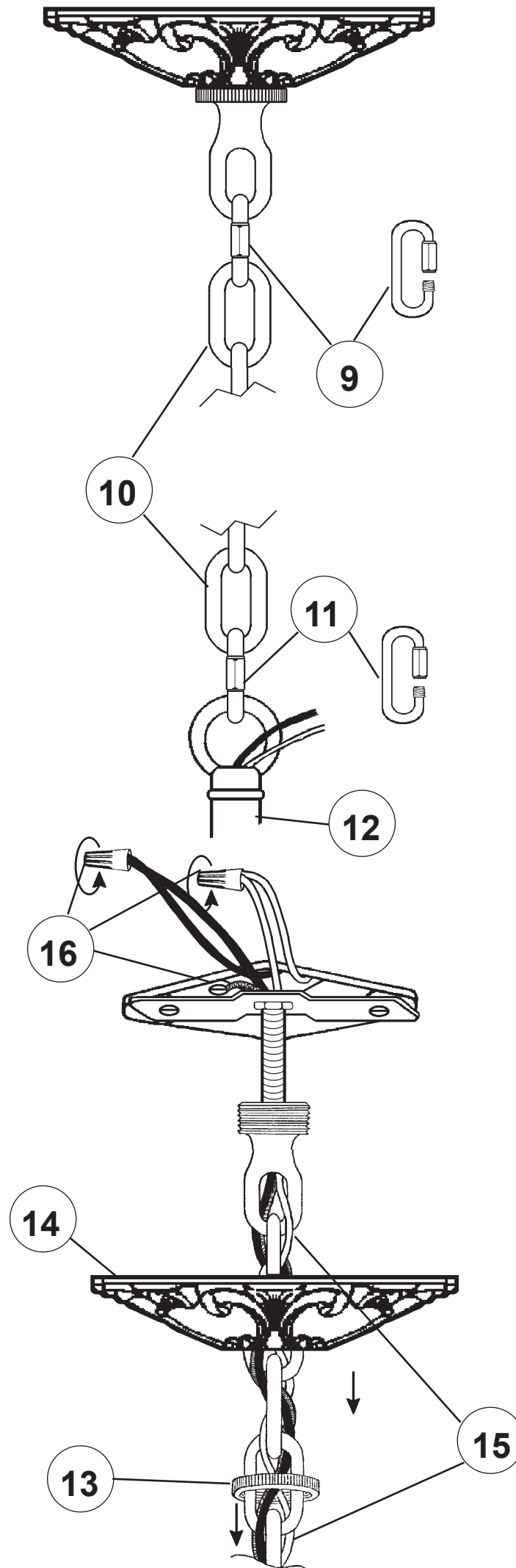
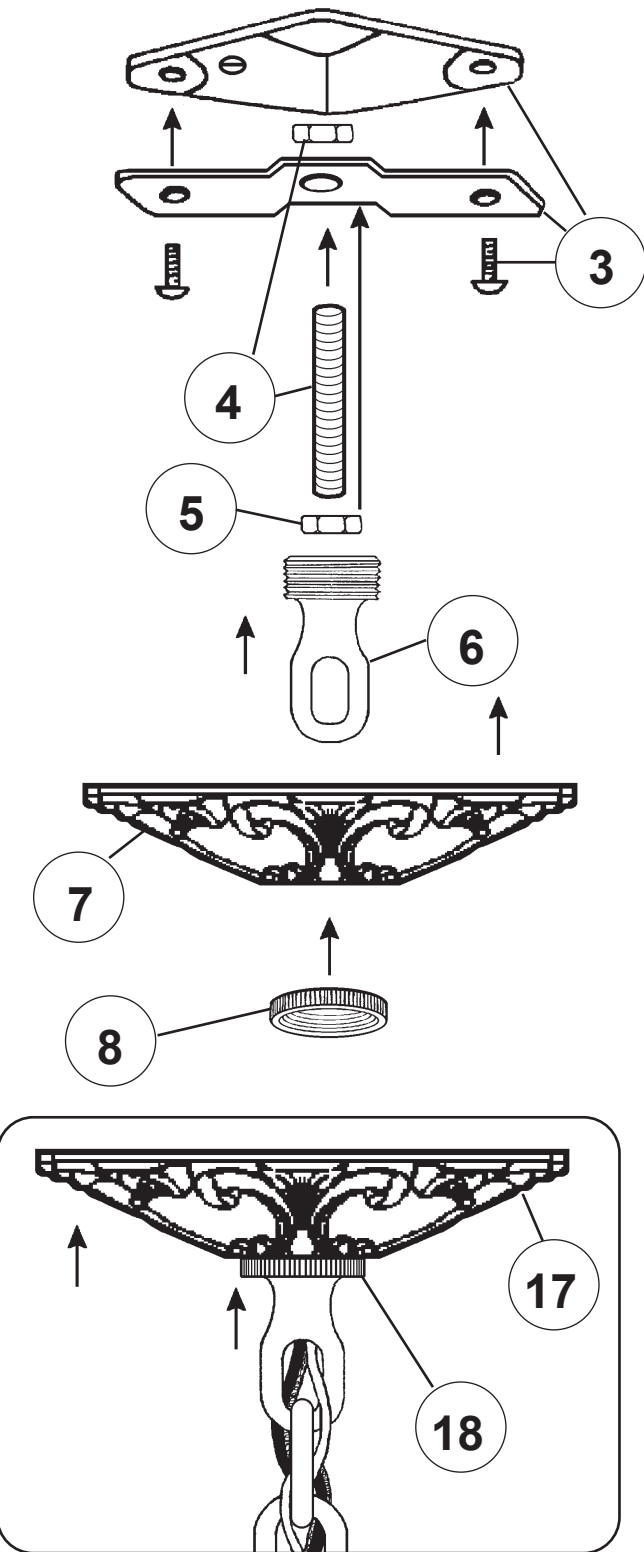
**Instructions for electrician**  
**STEPS 2 - 18**

**WARNING:**



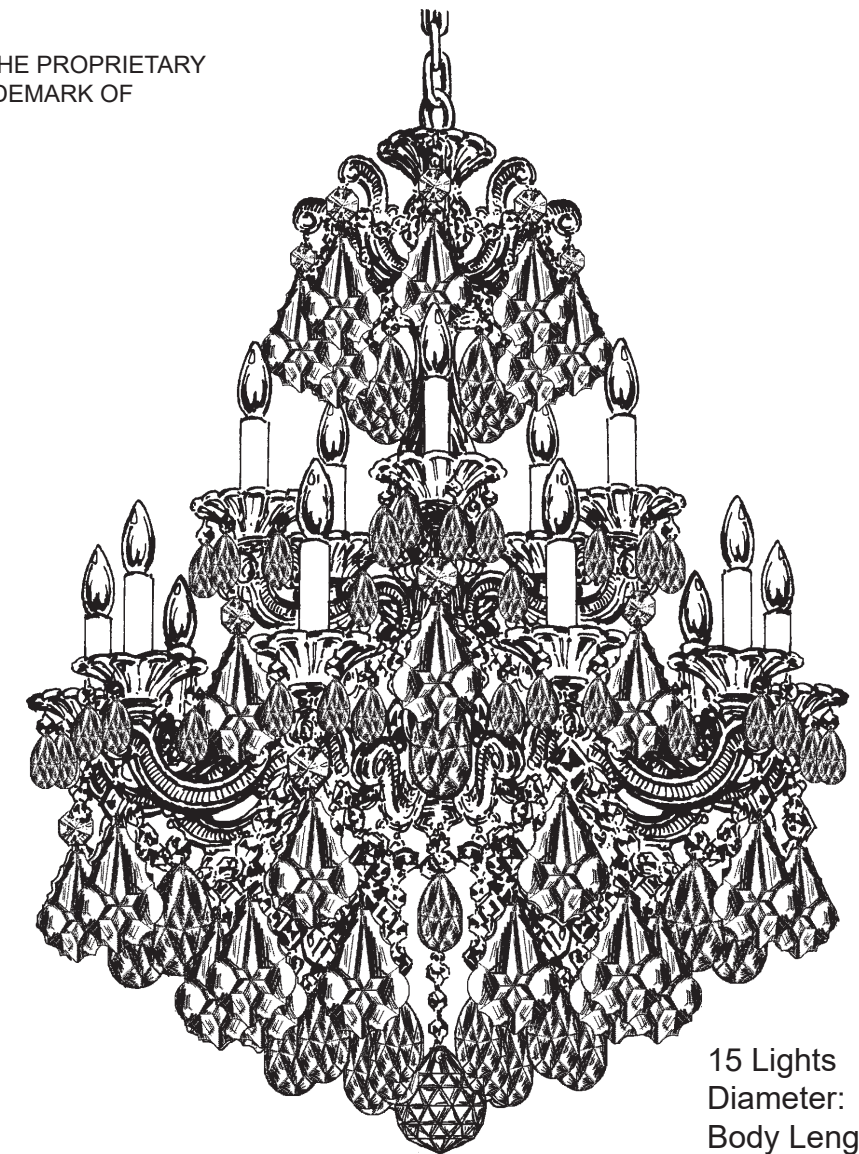
**Electrical Danger Turn Power Off**

All electrical components must be installed by a licensed electrician in accordance with the National Electric Code and the appropriate local electrical codes.



**CHANDELIER 5075-\_\_\_ \_\_R TRIM DIAGRAM**  
(FINISH OPTION)

THIS DESIGN IS THE PROPRIETARY TRADE DRESS/TRADEMARK OF W SCHONBEK LLC.



15 Lights  
Diameter: 28"  
Body Length: 32"  
Hanging Weight: 42lbs



**SCHONBEK** | 1870

**See diagram on back page**  
**Follow steps in exact order**  
**Save this trim diagram for future reference**

**IMPORTANT**  
**1** Person who opens carton should record the following information for future service.  
CODE # \_\_\_\_\_ Four-digit number on outside of carton.  
PACKER # \_\_\_\_\_ See crystal package label.  
ORDER # \_\_\_\_\_ See crystal package label.

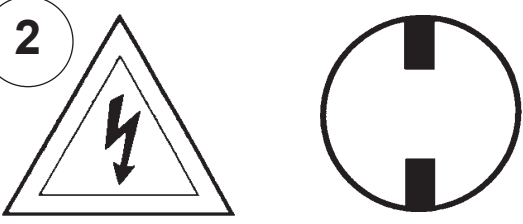






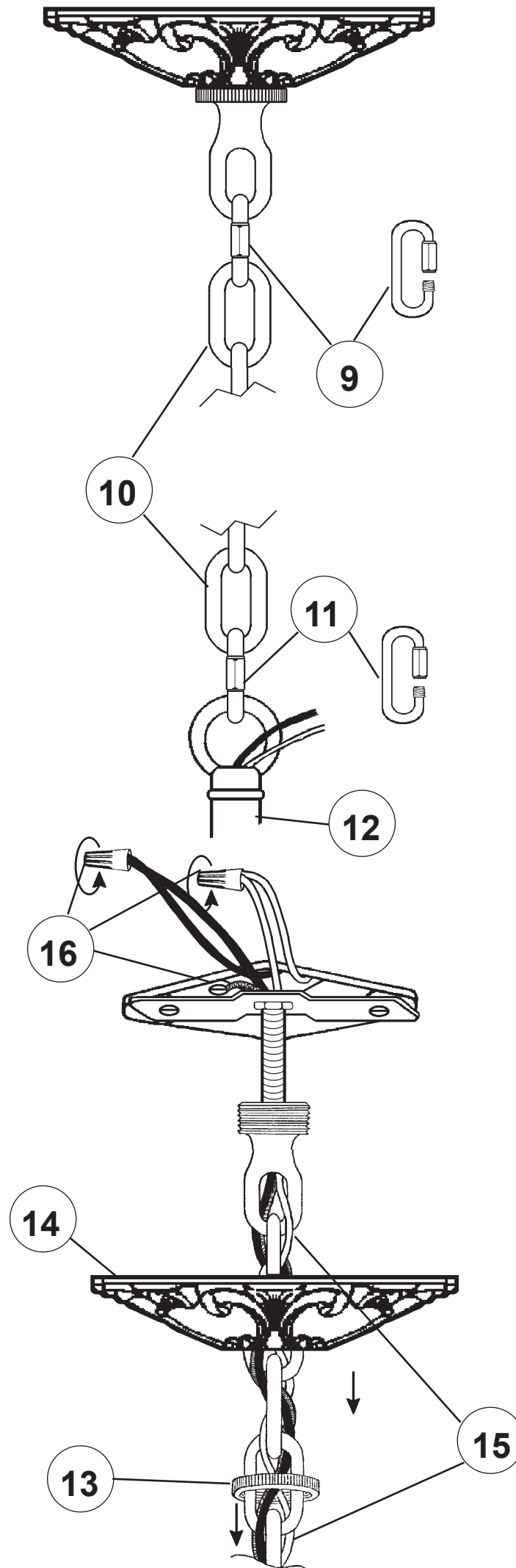
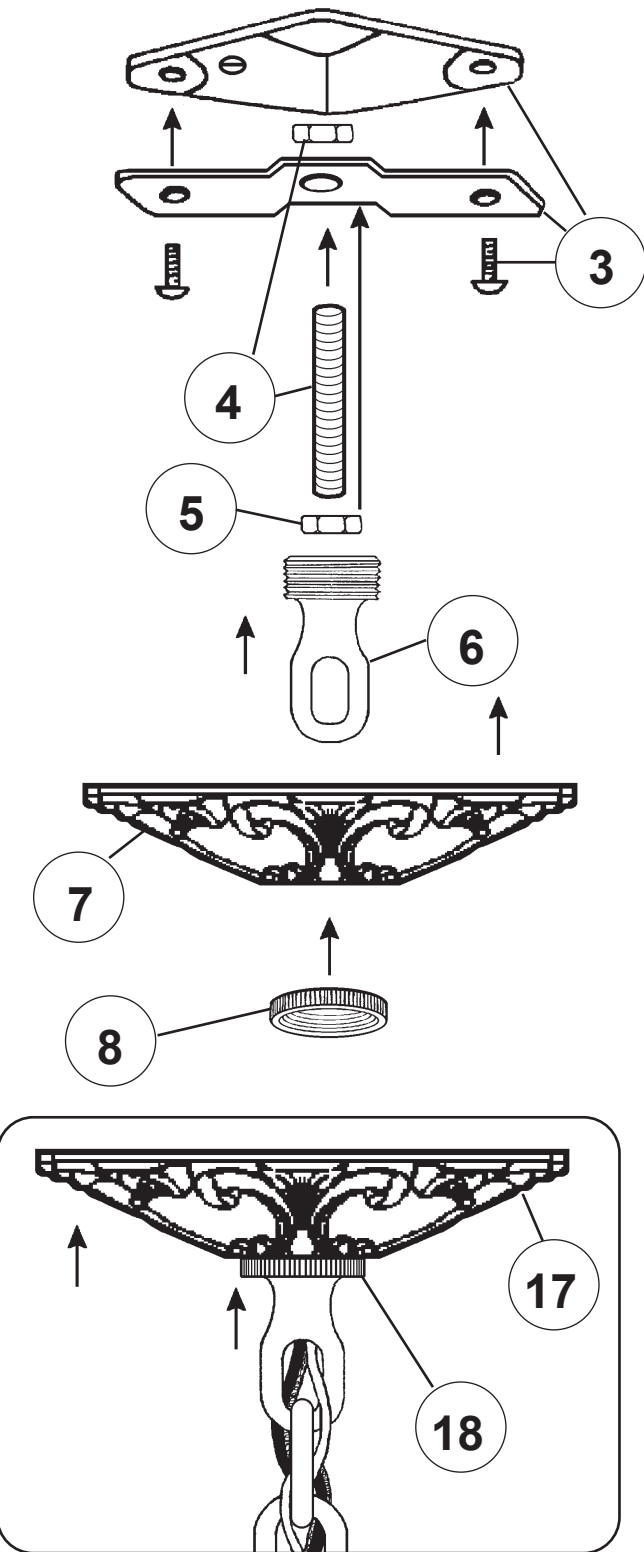
**Instructions for electrician**  
**STEPS 2 - 18**

**WARNING:**



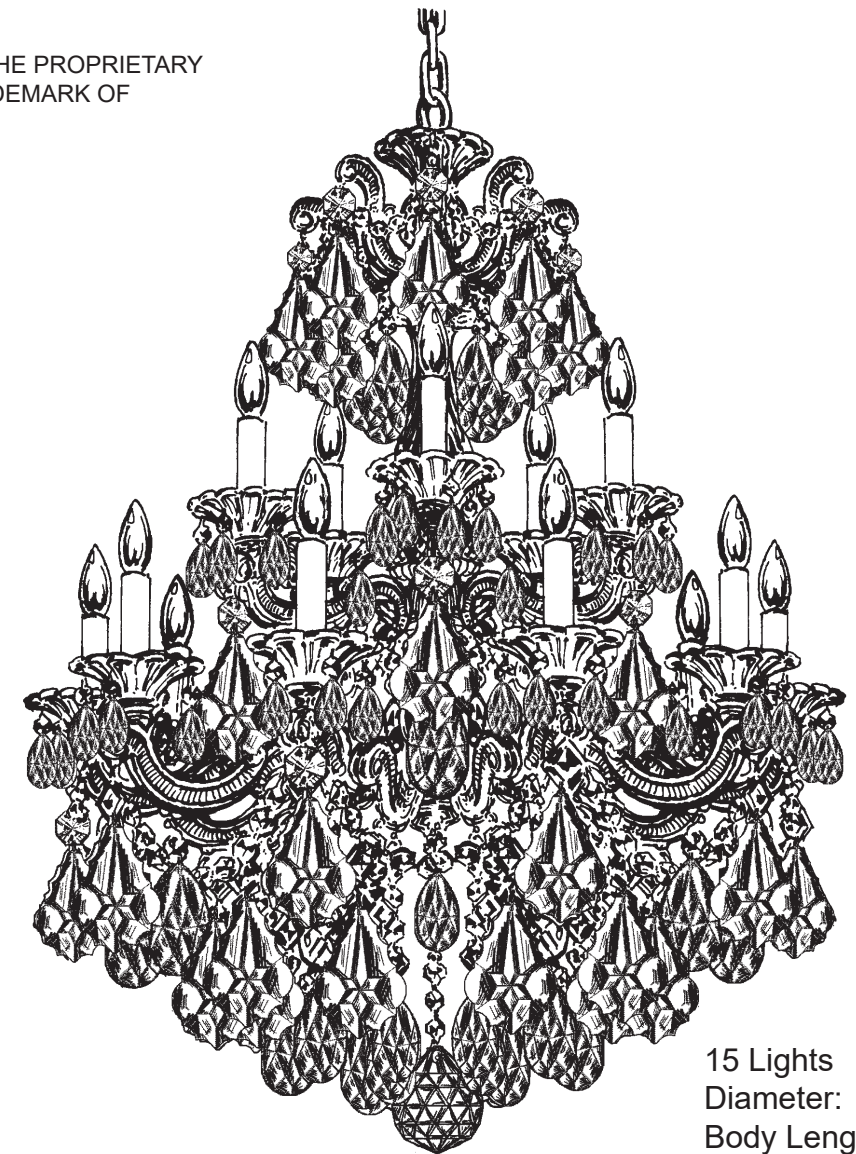
**Electrical Danger Turn Power Off**

All electrical components must be installed by a licensed electrician in accordance with the National Electric Code and the appropriate local electrical codes.



**CHANDELIER 5075-** \_\_\_\_\_ **TRIM DIAGRAM**  
(FINISH OPTION) (TRIM OPTION)

THIS DESIGN IS THE PROPRIETARY TRADE DRESS/TRADEMARK OF W SCHONBEK LLC.



15 Lights  
Diameter: 28"  
Body Length: 32"  
Hanging Weight: 42lbs



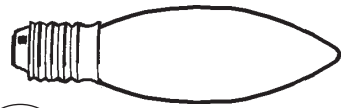
**SCHONBEK** | 1870

**See diagram on back page**  
**Follow steps in exact order**  
**Save this trim diagram for future reference**

**IMPORTANT**  
**1** Person who opens carton should record the following information for future service.  
CODE # \_\_\_\_\_ Four-digit number on outside of carton.  
PACKER # \_\_\_\_\_ See crystal package label.  
ORDER # \_\_\_\_\_ See crystal package label.

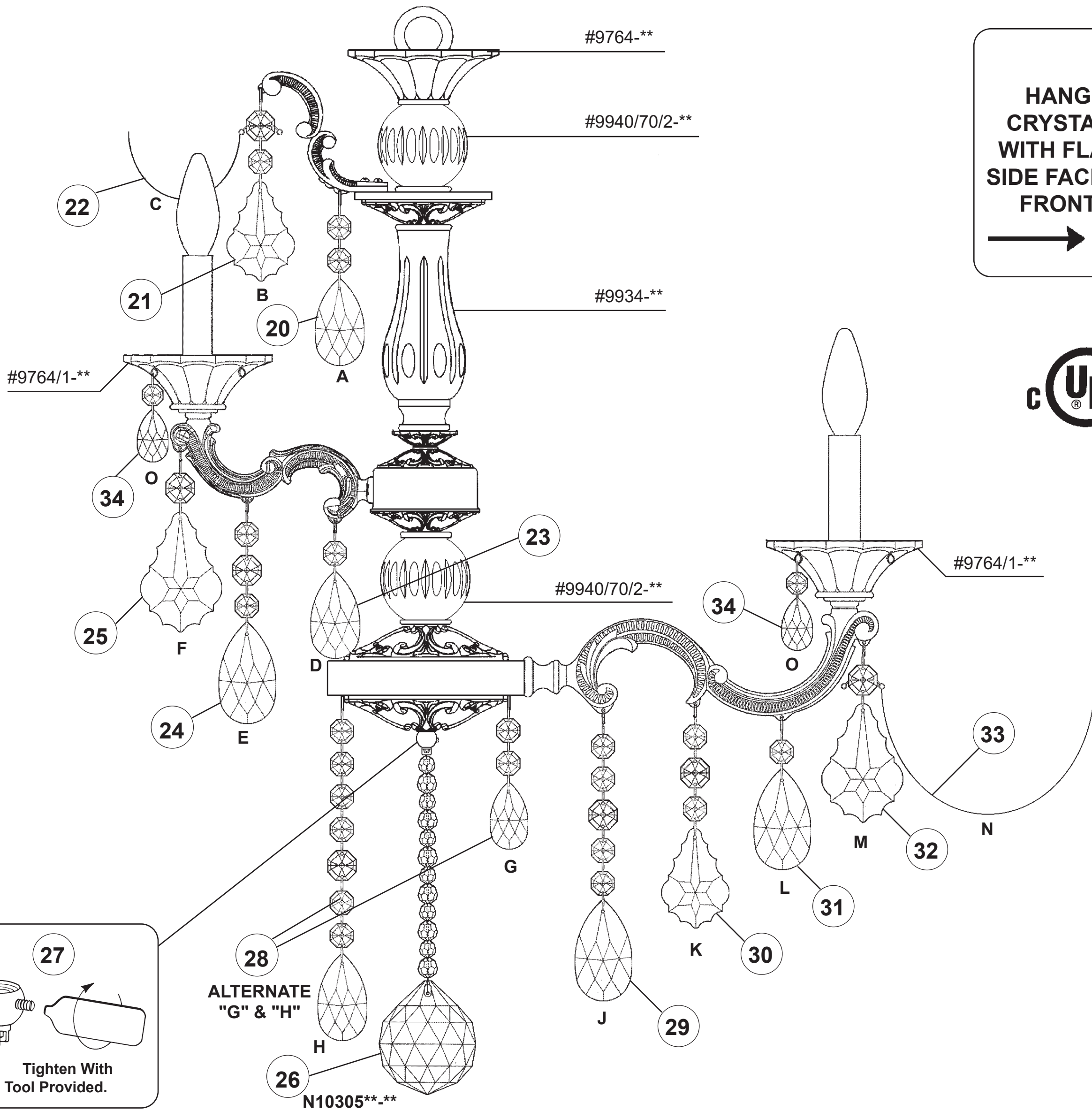


STEPS #2 - #18 ON  
BACK PAGE



19

15 - B10  
60 Watts Max  
25 Watts Recommend



HANG  
CRYSTAL  
WITH FLAT  
SIDE FACING  
FRONT

