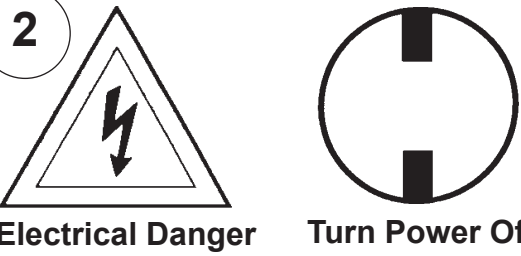
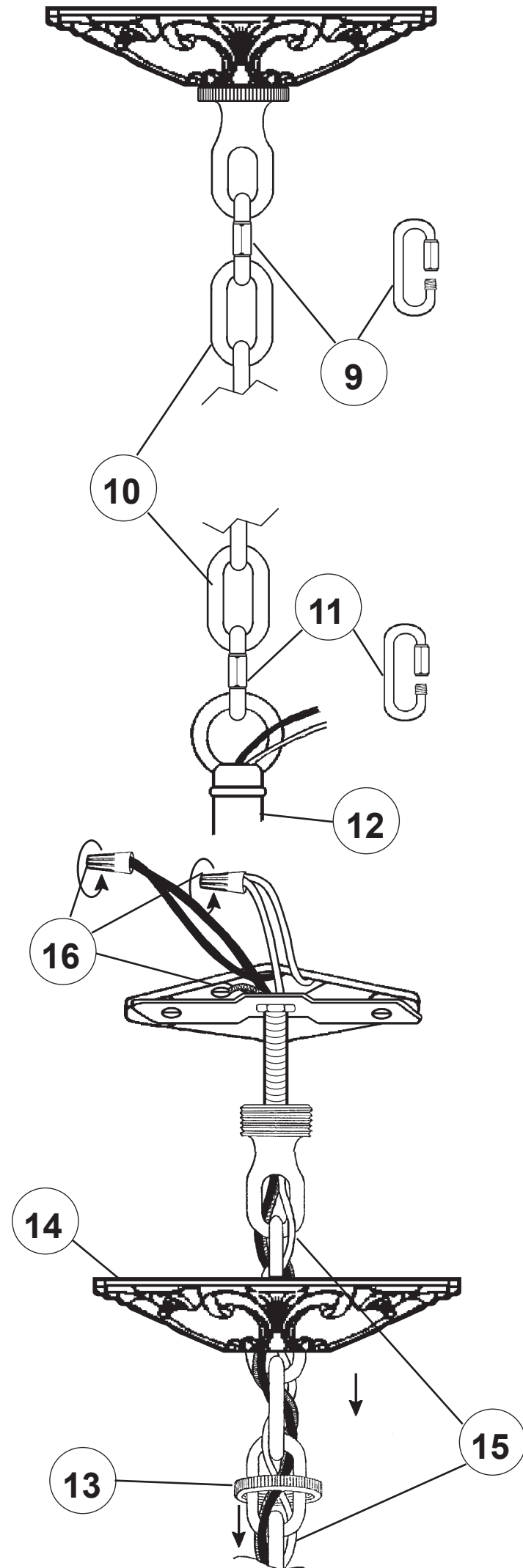
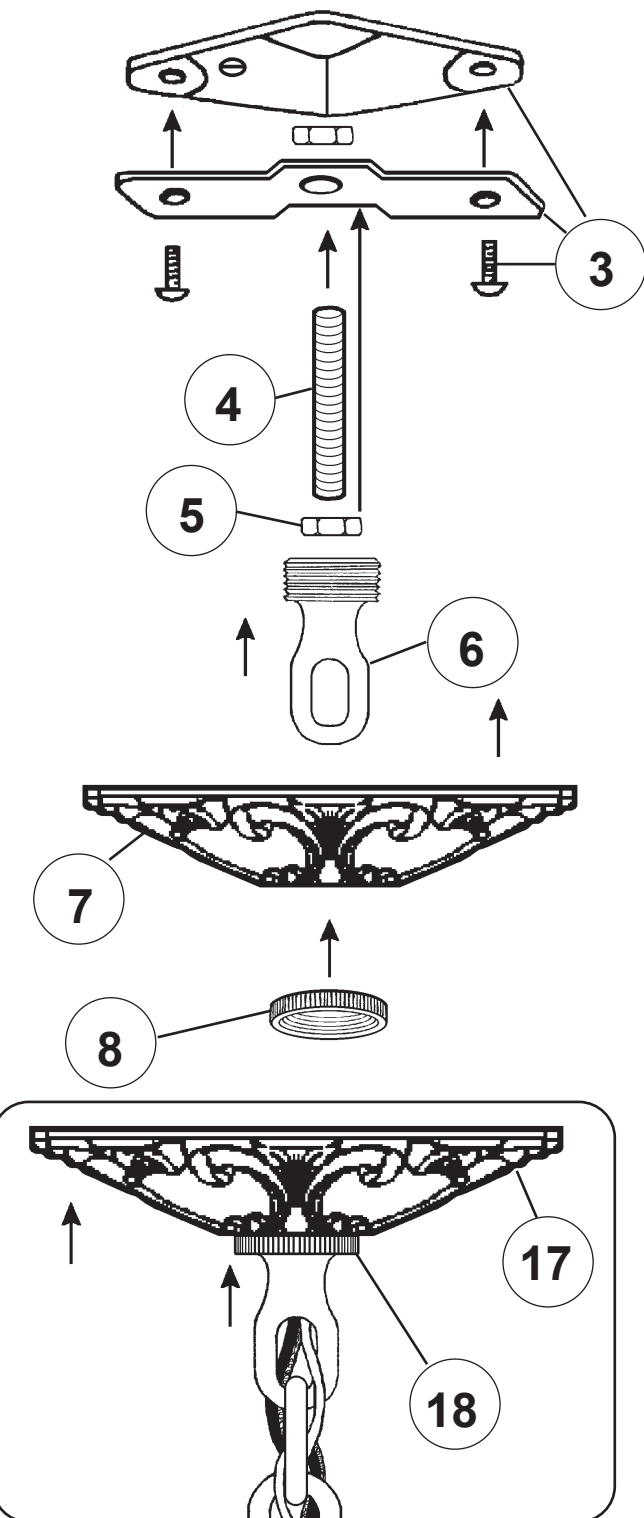


Instructions for electrician
STEPS 2 - 18

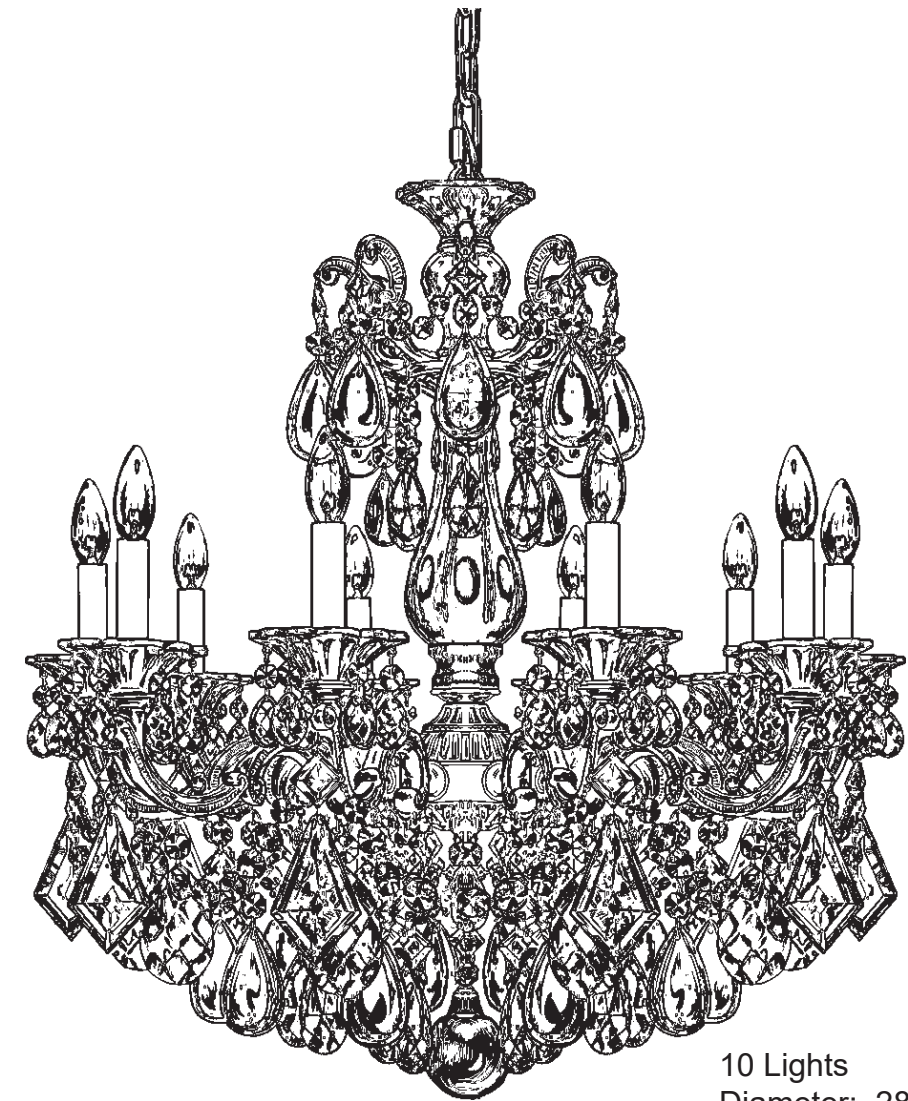
WARNING:



All electrical components must be installed by a licensed electrician in accordance with the National Electric Code and the appropriate local electrical codes.



CHANDELIER 5074-____ TRIM DIAGRAM
(Finish Option)



10 Lights
Diameter: 28"
Body Length: 29-1/2"
Hanging Weight: 35 lbs.

THIS DESIGN IS THE PROPRIETARY TRADE DRESS/TRADEMARK OF W SCHONBEK LLC.



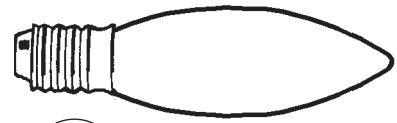
See diagram on back page
Follow steps in exact order
Save this trim diagram for future reference

1 **IMPORTANT**
Person who opens carton should record the following information for future service.
CODE # _____ Four-digit number on outside of carton.
PACKER # _____ See crystal package label.
ORDER # _____ See crystal package label.



Instructions for crystal trimming

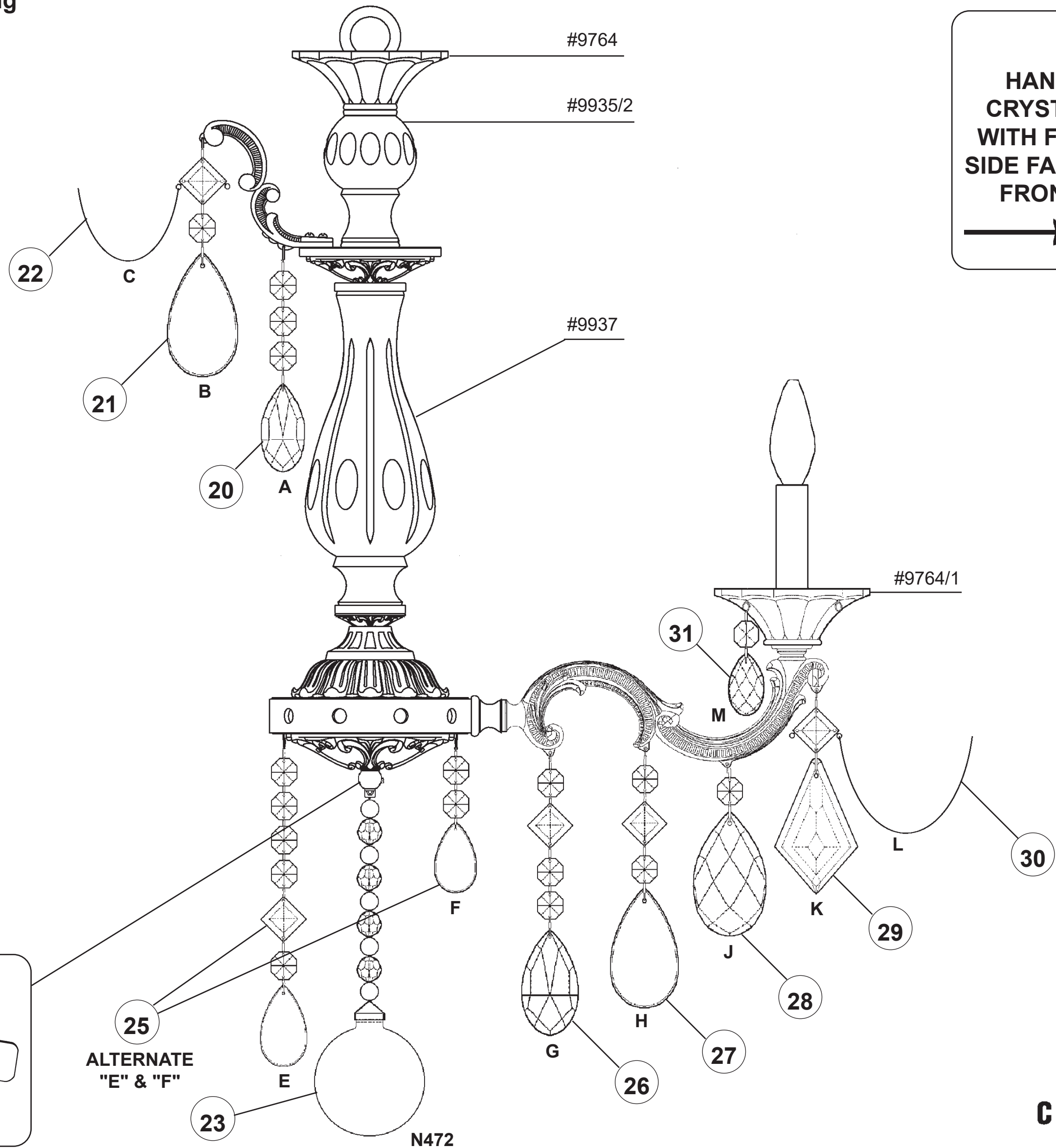
STEPS 19 - 31



19

You will need 10 - B10
25 Watts Recommended
60 Watts Max

Install bulbs and be sure
to test fixture **BEFORE**
trimming.



**HANG
CRYSTAL
WITH FLAT
SIDE FACING
FRONT**



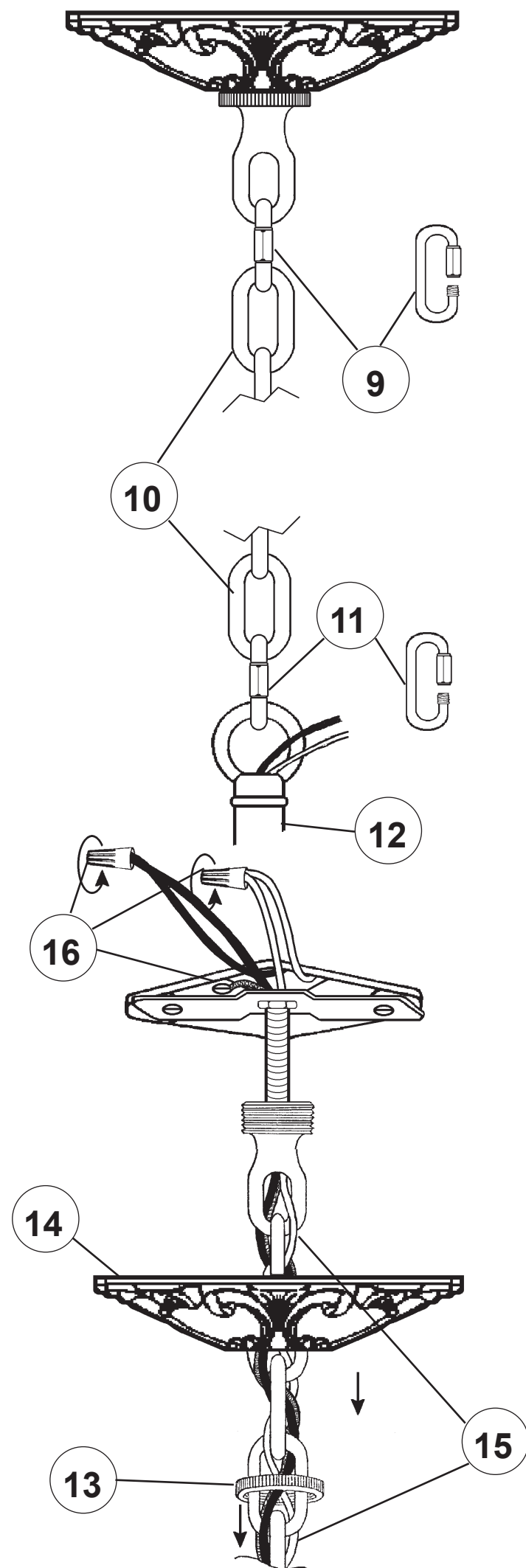
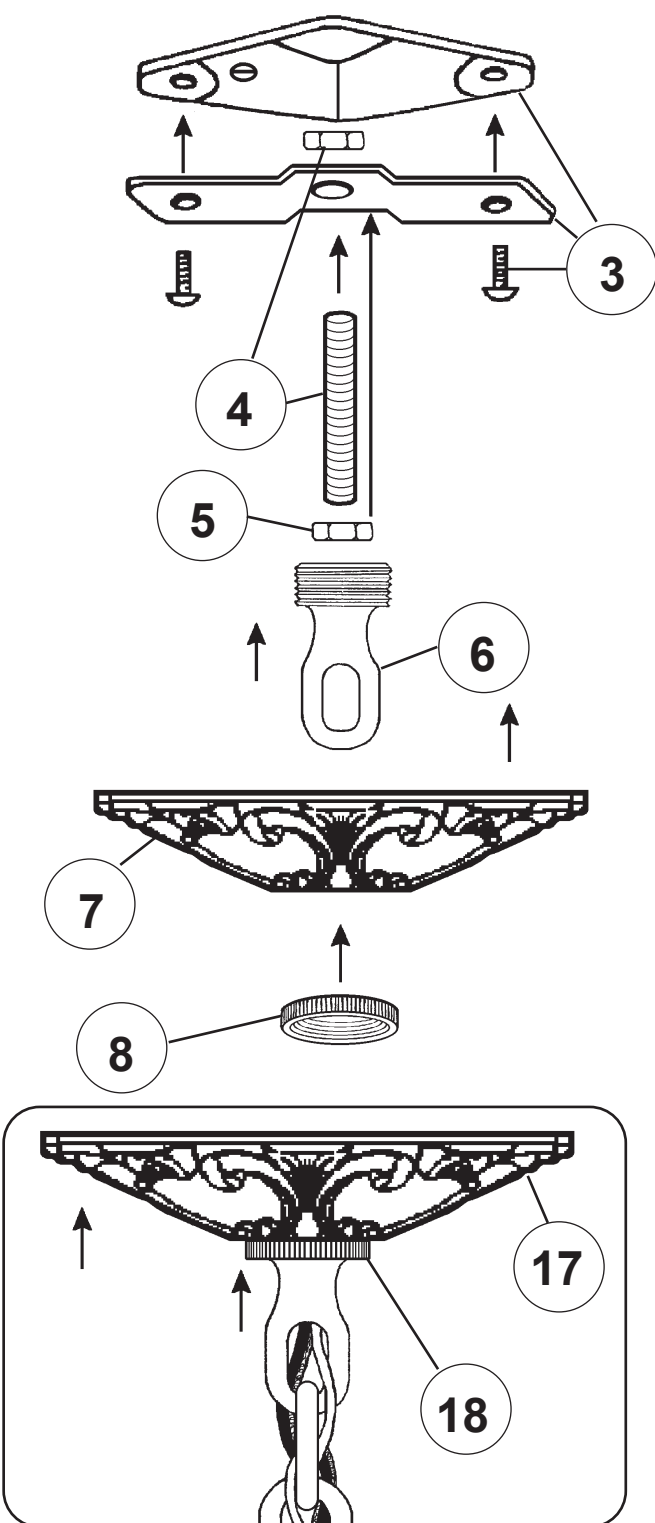
Instructions for electrician
STEPS 2 - 18

WARNING:

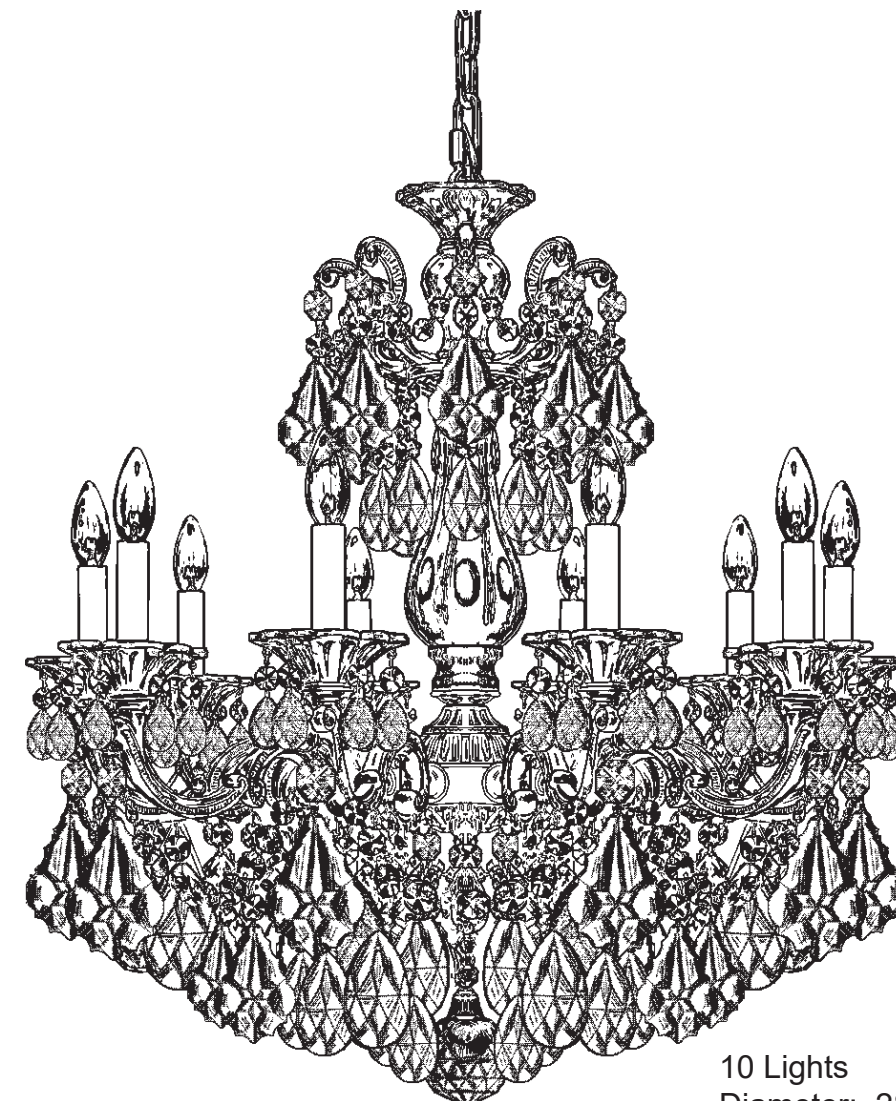


Electrical Danger Turn Power Off

All electrical components must be installed by a licensed electrician in accordance with the National Electric Code and the appropriate local electrical codes.



CHANDELIER 5074-___R TRIM DIAGRAM
(Finish Option)



10 Lights
Diameter: 28"
Body Length: 30"
Hanging Weight: 35 lbs.

THIS DESIGN IS THE PROPRIETARY TRADE DRESS/TRADEMARK OF W SCHONBEK LLC.

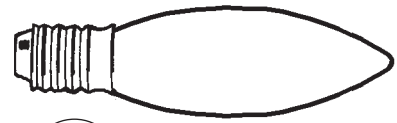


See diagram on back page
Follow steps in exact order
Save this trim diagram for future reference

1 IMPORTANT
Person who opens carton should record the following information for future service.
CODE # _____ Four-digit number on outside of carton.
PACKER # _____ See crystal package label.
ORDER # _____ See crystal package label.

Instructions for crystal trimming

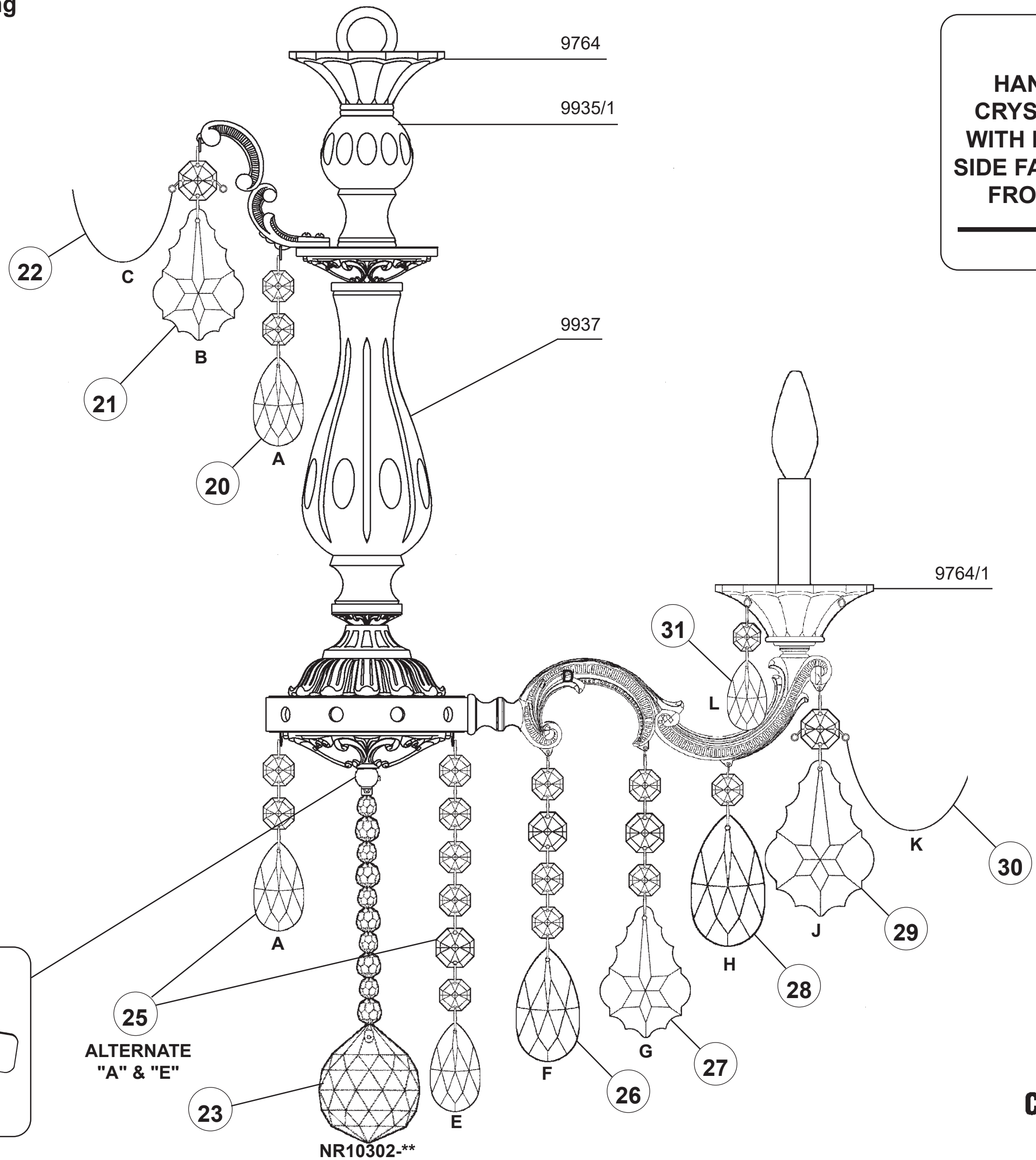
STEPS 19 - 31



19

You will need 10 - B10
25 Watts Recommended
60 Watts Max

Install bulbs and be sure
to test fixture BEFORE
trimming.



HANG
CRYSTAL
WITH FLAT
SIDE FACING
FRONT

24

Tighten With
Tool Provided.

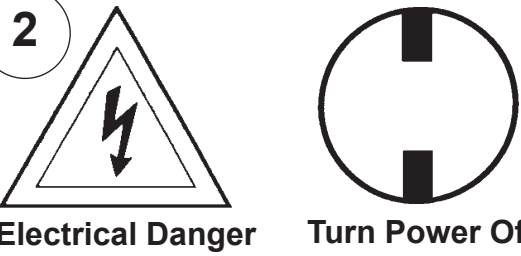
25
ALTERNATE
"A" & "E"

23

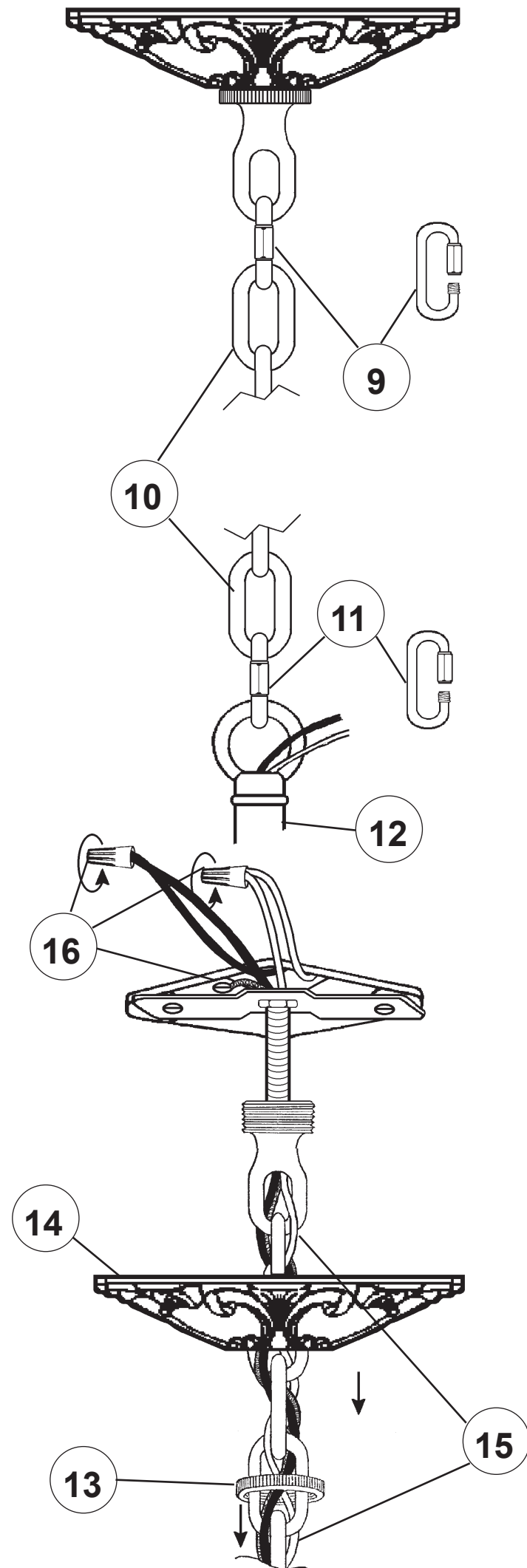
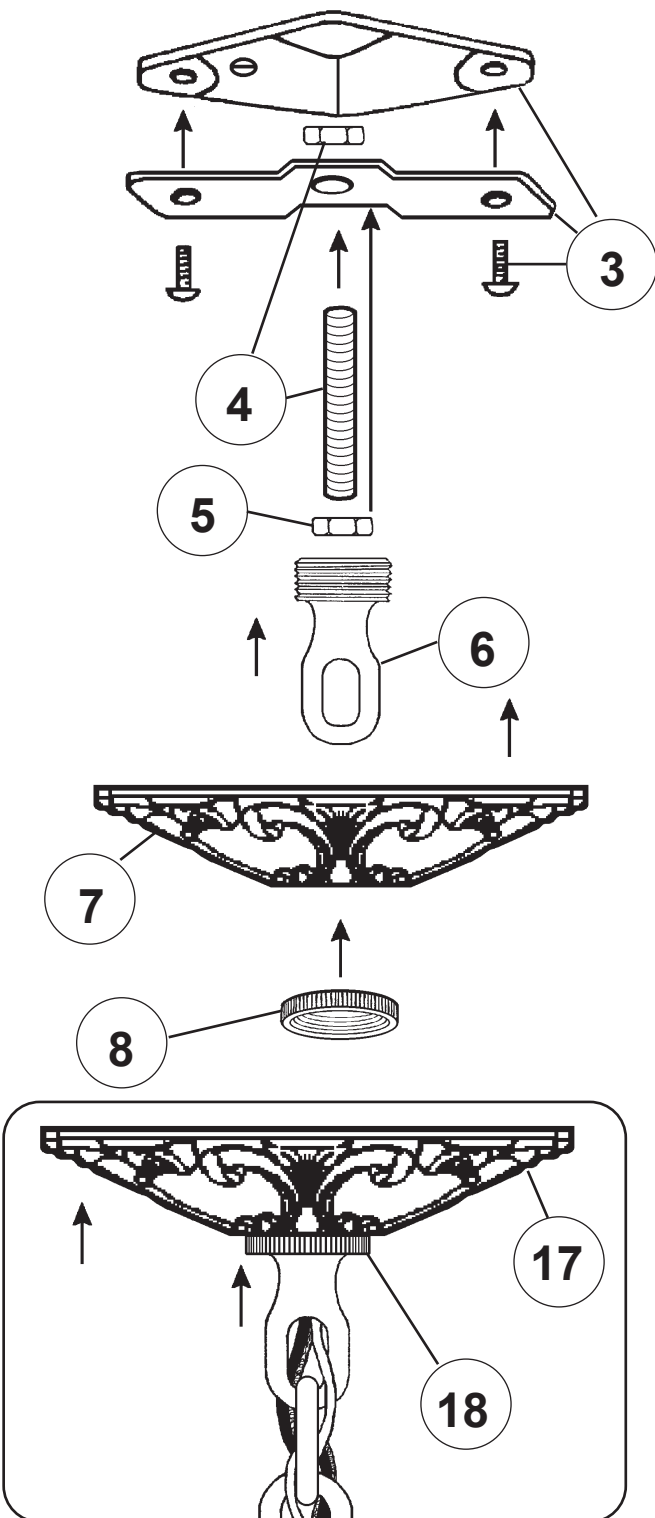
NR10302-**

Instructions for electrician
STEPS 2 - 18

WARNING:

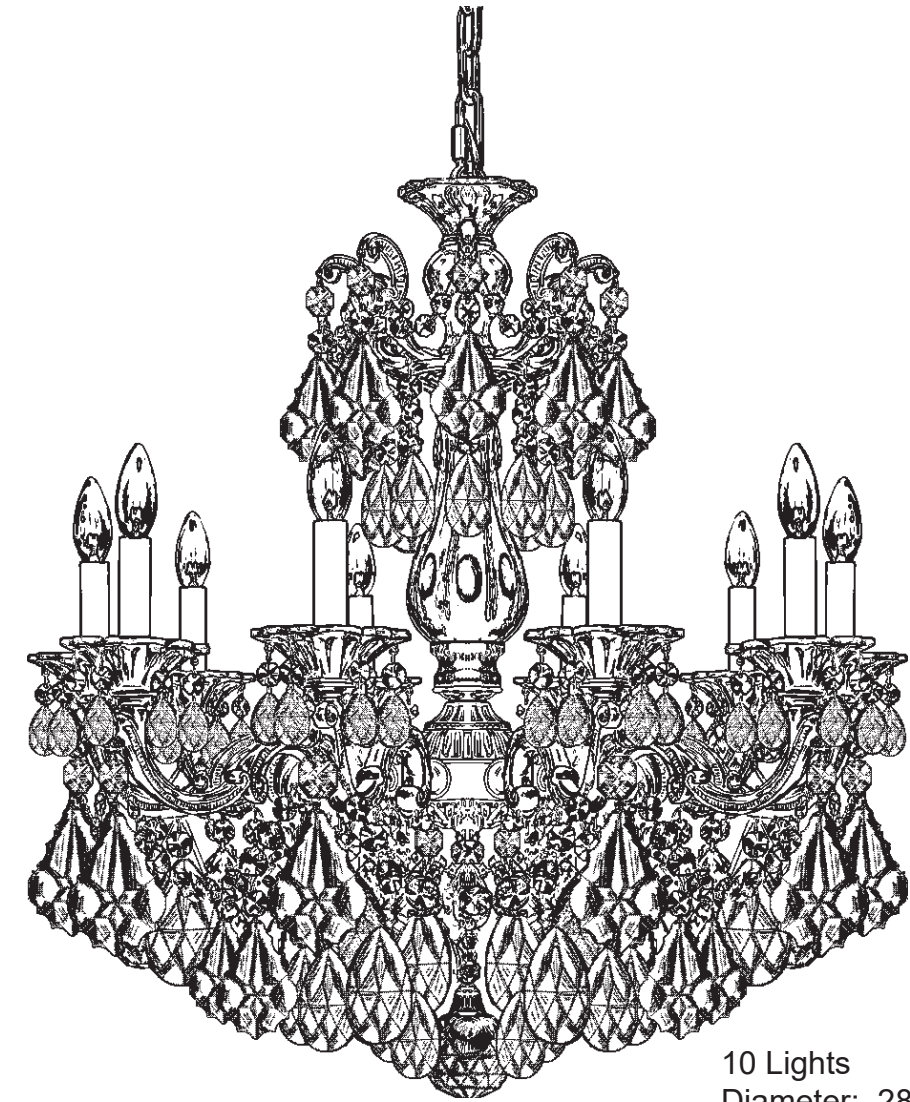


All electrical components must be installed by a licensed electrician in accordance with the National Electric Code and the appropriate local electrical codes.



CHANDELIER 5074- _____ TRIM DIAGRAM

(Finish Option) (Trim Option)



10 Lights
Diameter: 28"
Body Length: 30"
Hanging Weight: 35 lbs.

THIS DESIGN IS THE PROPRIETARY TRADE DRESS/TRADEMARK OF W SCHONBEK LLC.



See diagram on back page
Follow steps in exact order
Save this trim diagram for future reference

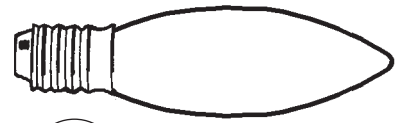
1 IMPORTANT
Person who opens carton should record the following information for future service.

CODE # _____ Four-digit number on outside of carton.
PACKER # _____ See crystal package label.
ORDER # _____ See crystal package label.



Instructions for crystal trimming

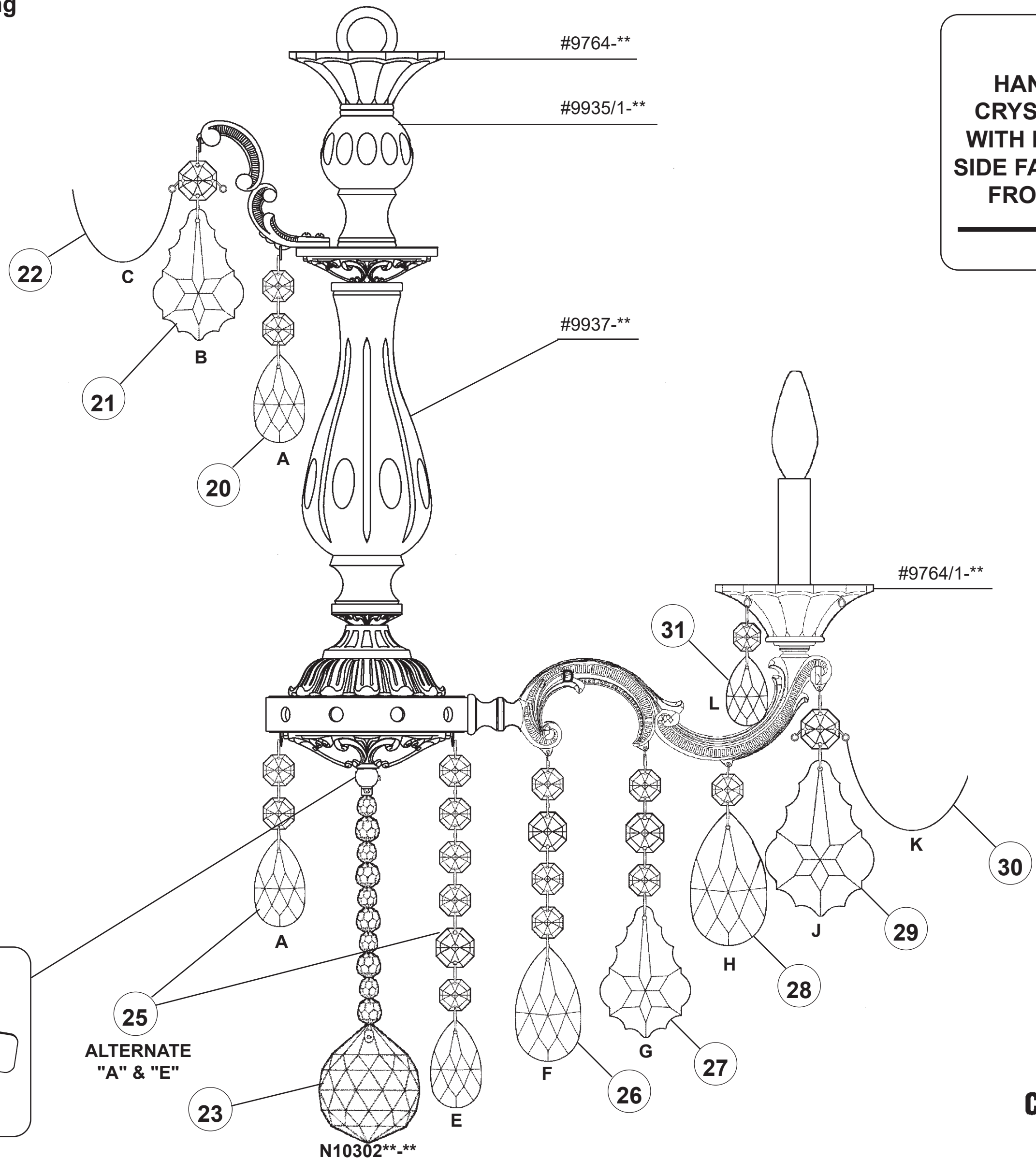
STEPS 19 - 31



19

You will need 10 - B10
25 Watts Recommended
60 Watts Max

Install bulbs and be sure
to test fixture **BEFORE**
trimming.



**HANG
CRYSTAL
WITH FLAT
SIDE FACING
FRONT**



24

Tighten With
Tool Provided.

25
ALTERNATE
"A" & "E"

23

N10302**-**