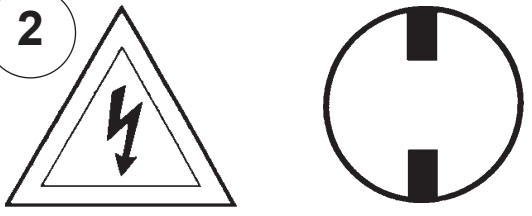


Instructions for electrician STEPS 2 - 18

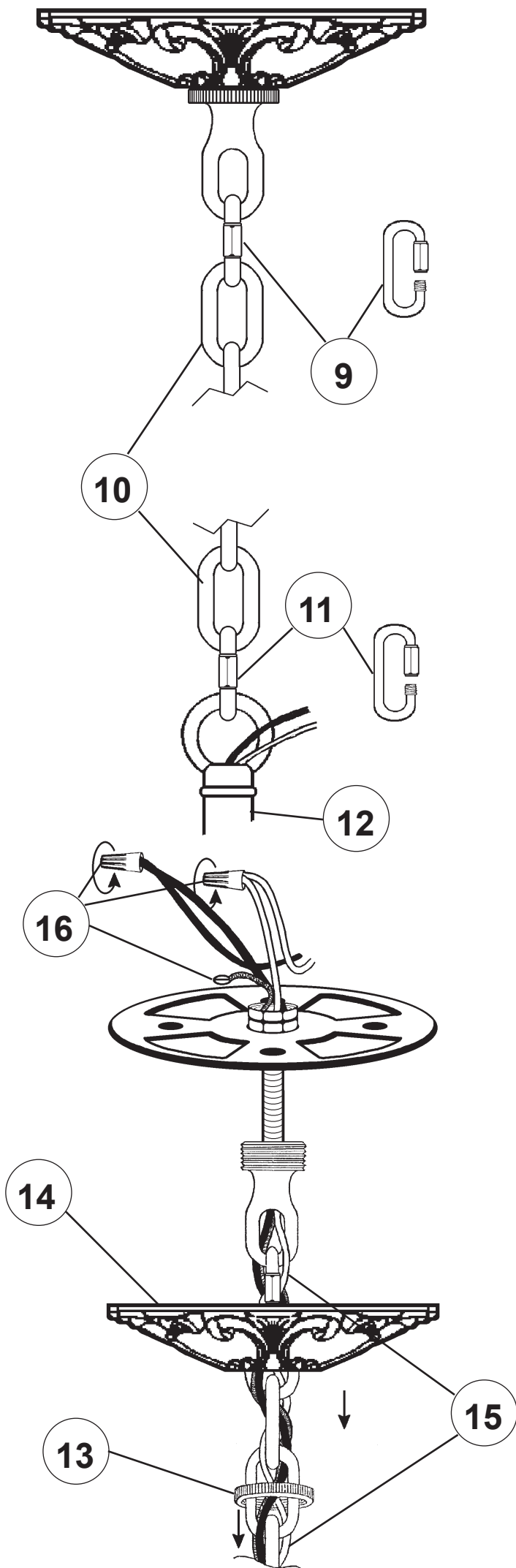
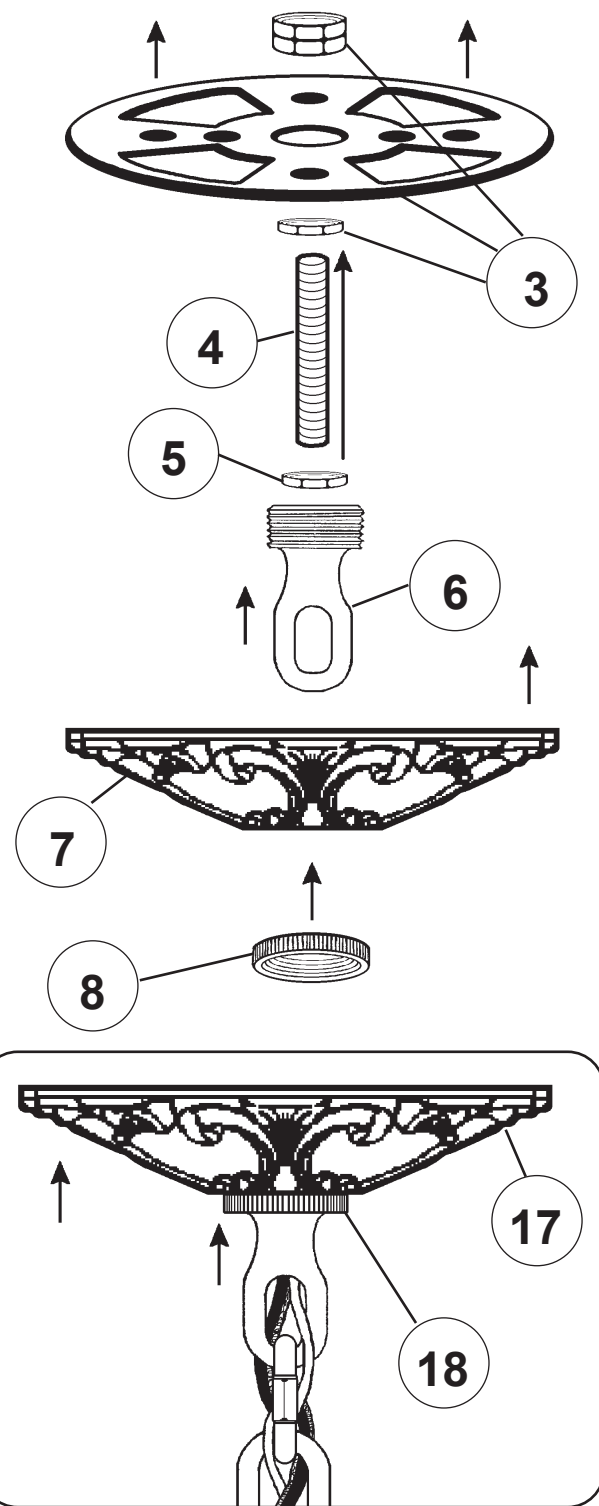
WARNING: THIS LUMINAIRE MUST BE MOUNTED OR SUPPORTED INDEPENDENTLY OF AN OUTLET BOX.

WARNING:



Electrical Danger Turn Power Off

All electrical components must be installed by a licensed electrician in accordance with the National Electric Code and the appropriate local electrical codes.



CHANDELIER 5011- _____ TRIM DIAGRAM

(Finish Option)



12 Lights
Diameter: 33"
Body Length: 41"
Hanging Weight: 80 lbs.

THIS DESIGN IS THE PROPRIETARY TRADE DRESS/TRADEMARK OF W SCHONBEK LLC.



SCHONBEK

1870

**See diagram on back page
Follow steps in exact order
Save this trim diagram for future reference**

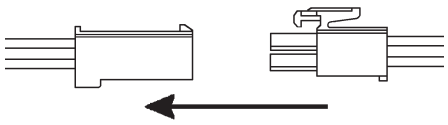
1

IMPORTANT
Person who opens carton should record the following information for future service.

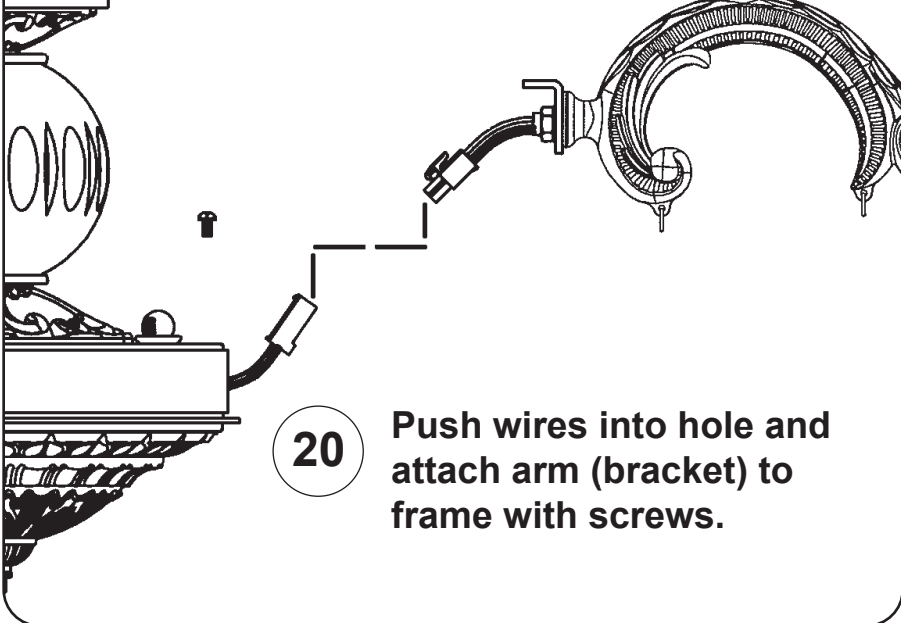
CODE # _____ Four-digit number on outside of carton.
PACKER # _____ See crystal package label.
ORDER # _____ See crystal package label.

Instructions for crystal trimming
STEPS 19 - 37

19 Connect plug-in connectors:



20 Push wires into hole and attach arm (bracket) to frame with screws.



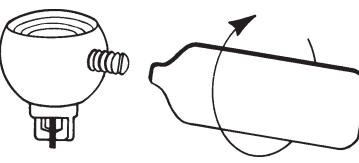
21



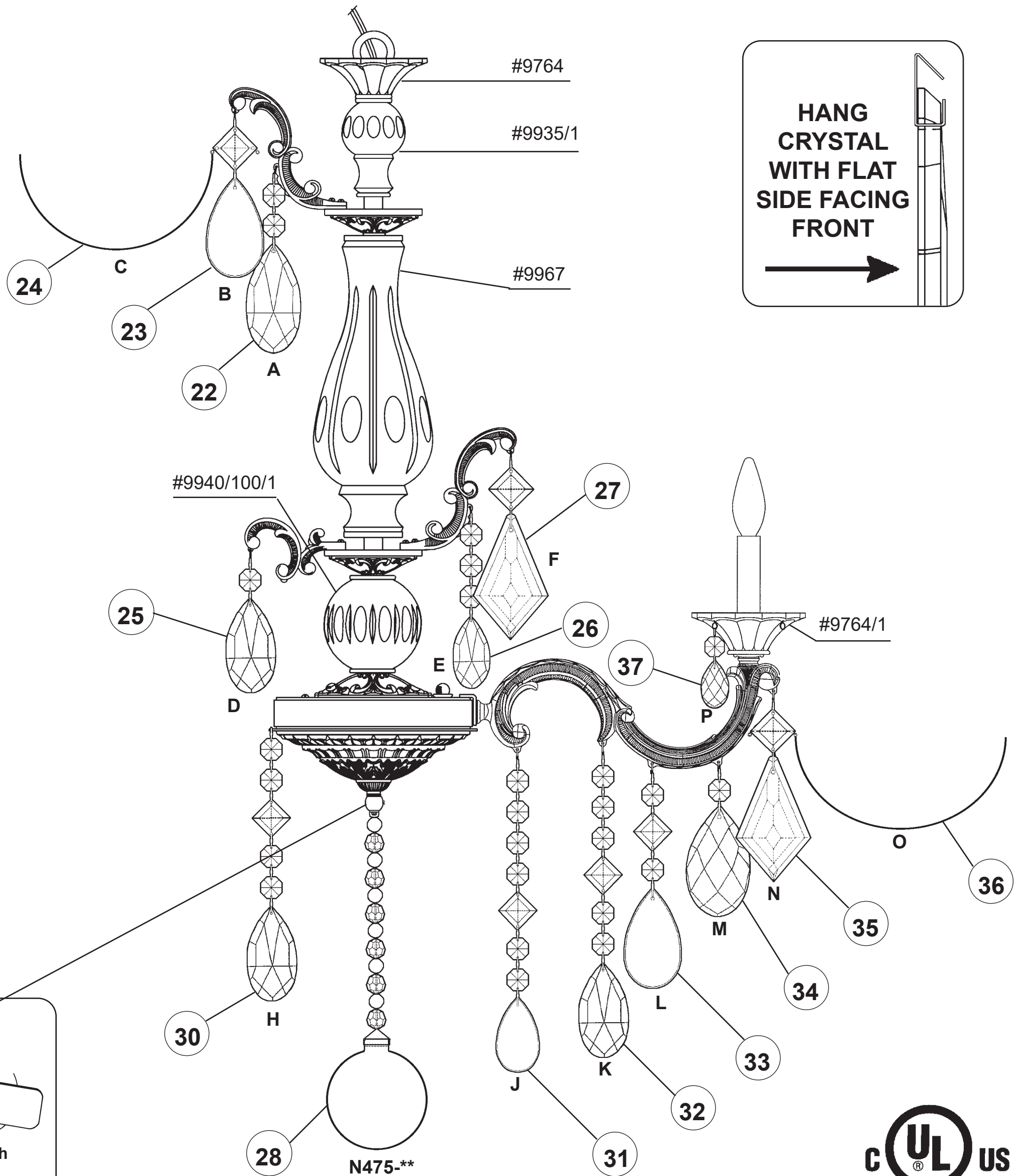
You will need 12 - B10
25 Watts Recommended
60 Watts Max

Install bulbs and be sure
to test fixture **BEFORE**
trimming.


29



Tighten With
Tool Provided.



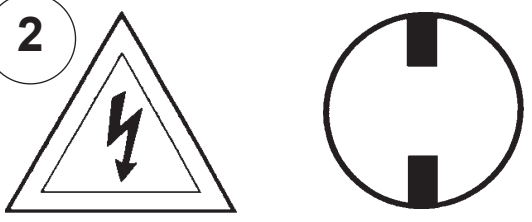
**HANG
CRYSTAL
WITH FLAT
SIDE FACING
FRONT**



Instructions for electrician STEPS 2 - 18

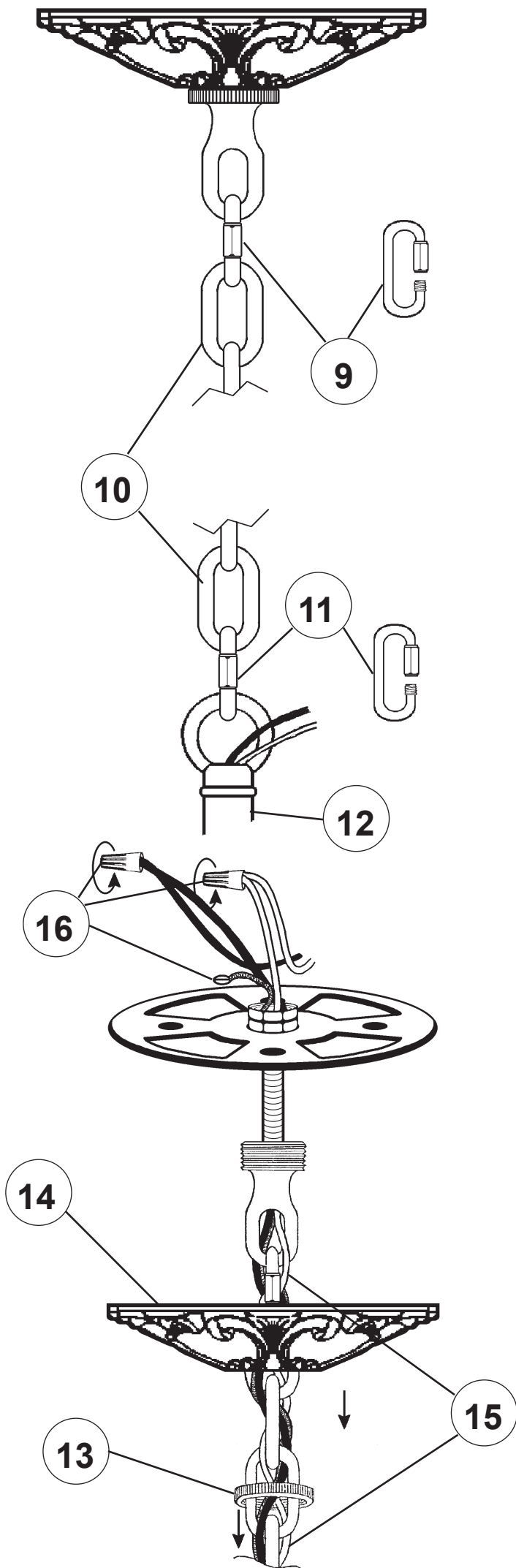
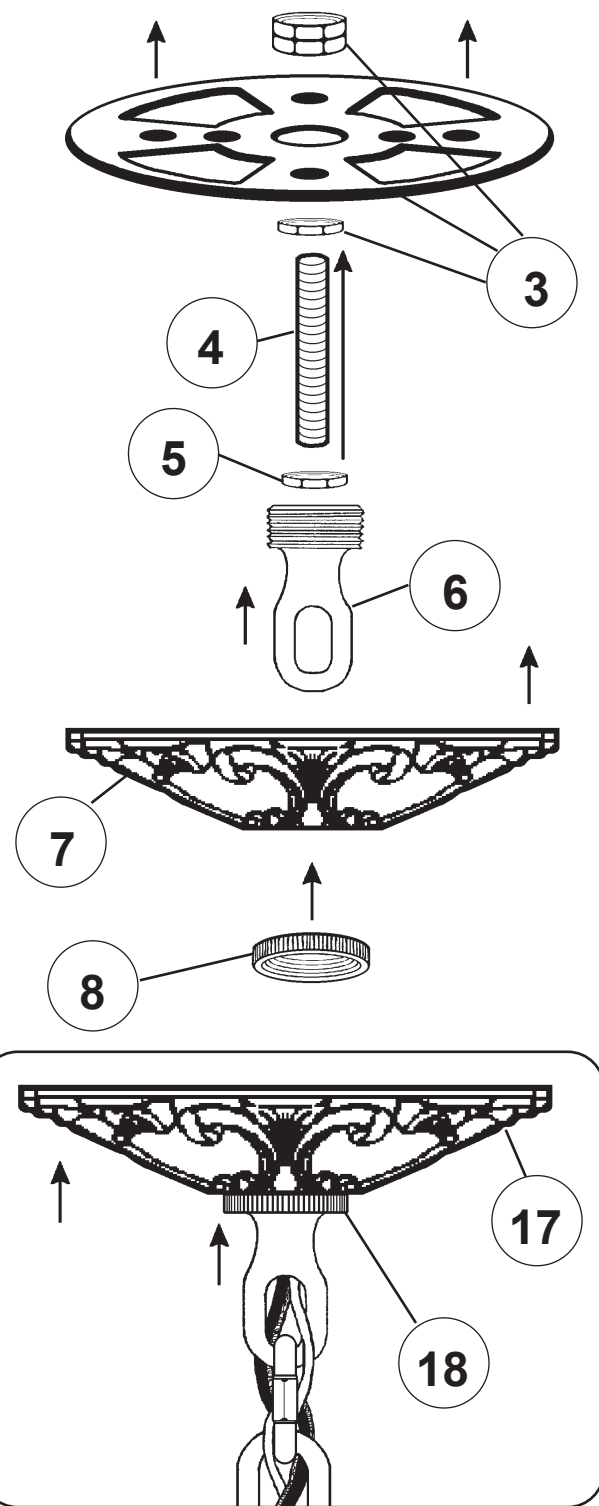
WARNING: THIS LUMINAIRE MUST BE MOUNTED OR SUPPORTED INDEPENDENTLY OF AN OUTLET BOX.

WARNING:



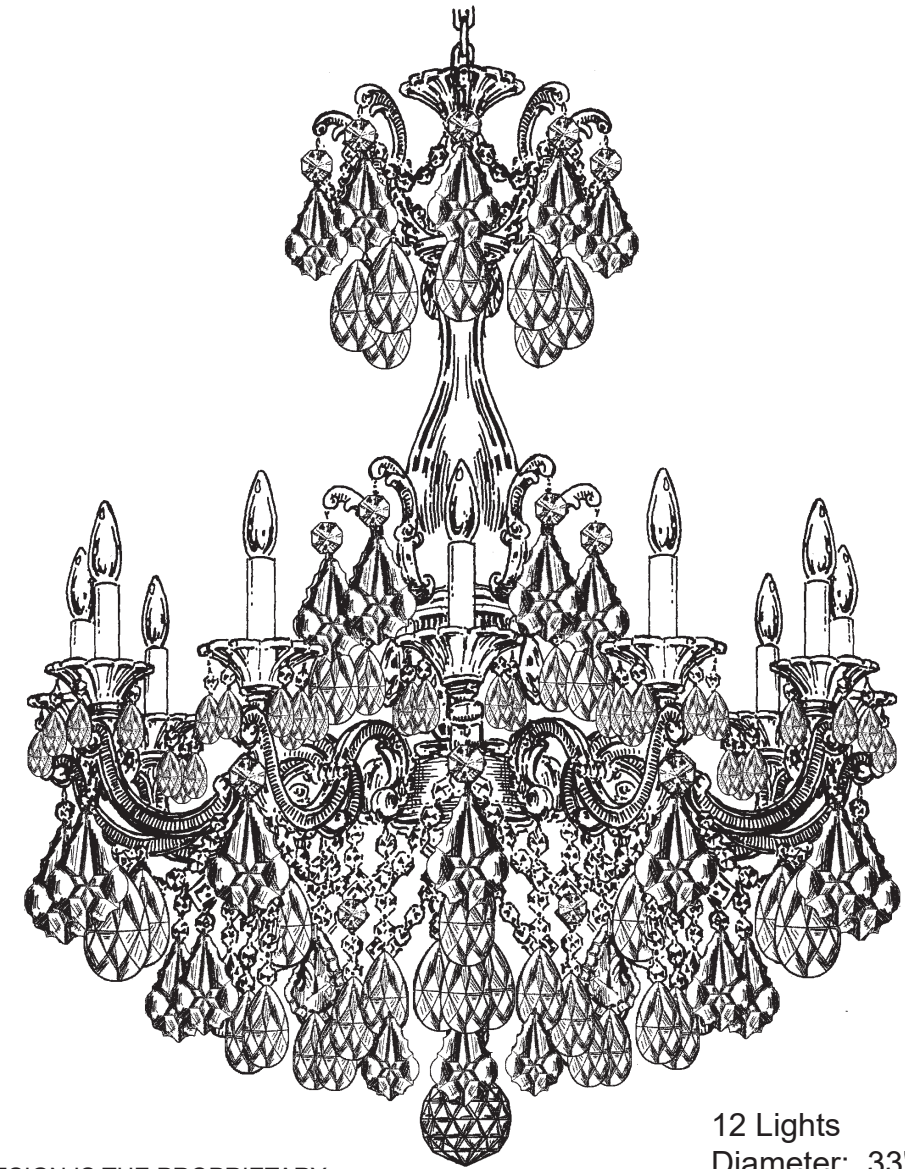
Electrical Danger Turn Power Off

All electrical components must be installed by a licensed electrician in accordance with the National Electric Code and the appropriate local electrical codes.



CHANDELIER 5011-____R TRIM DIAGRAM

(Finish Option)



12 Lights
Diameter: 33"
Body Length: 41"
Hanging Weight: 68 lbs.

THIS DESIGN IS THE PROPRIETARY TRADE DRESS/TRADEMARK OF W SCHONBEK LLC.



SCHONBEK | 1870

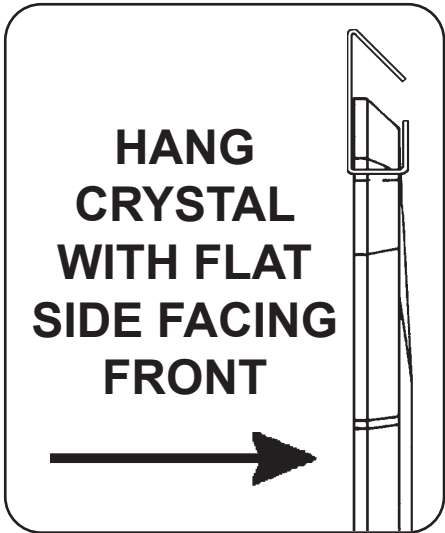
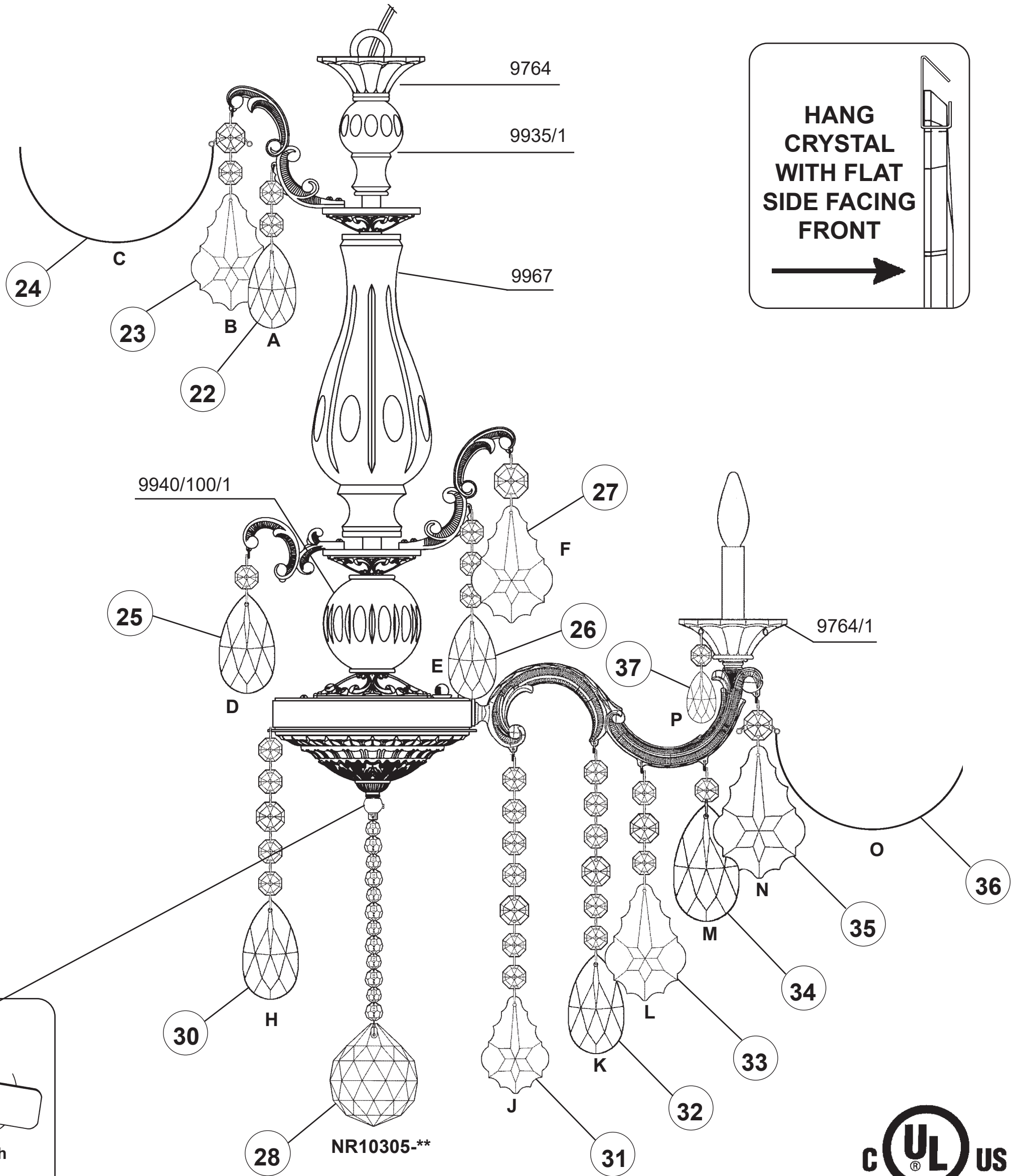
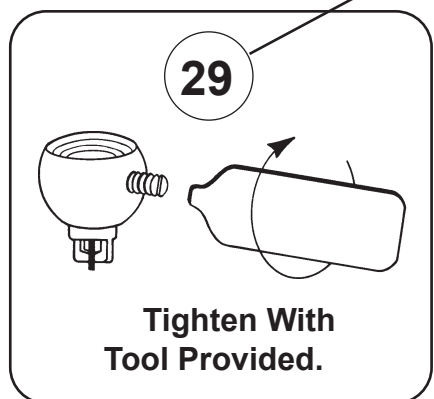
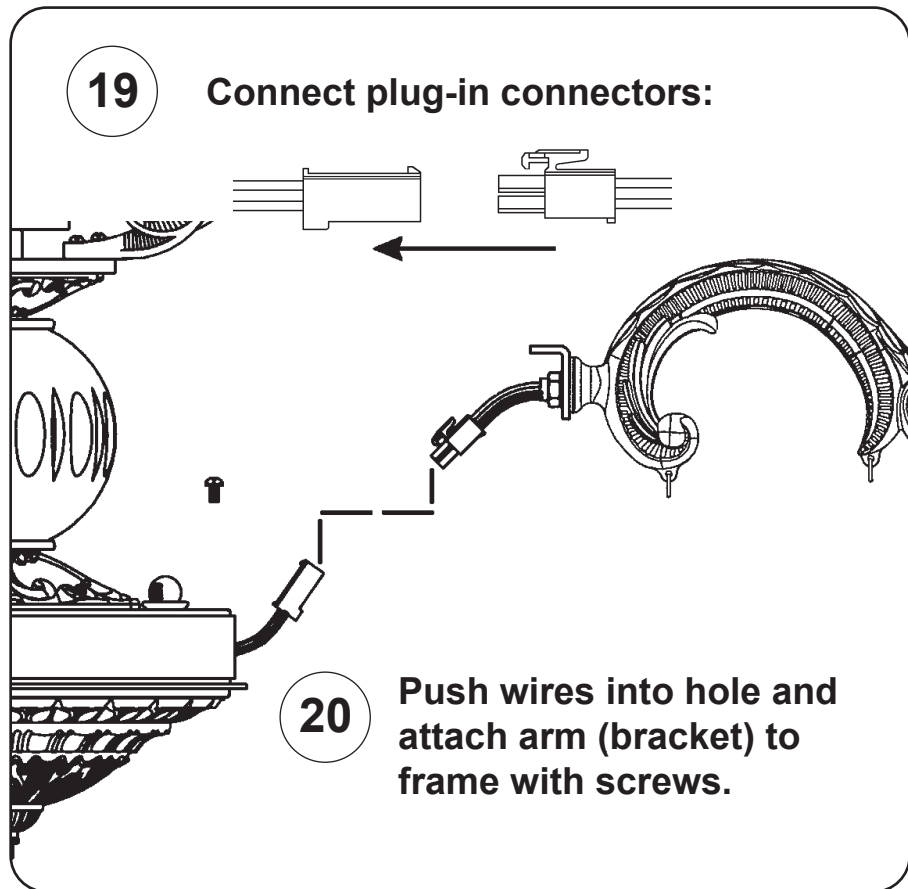
See diagram on back page
Follow steps in exact order
Save this trim diagram for future reference

1

IMPORTANT
Person who opens carton should record the following information for future service.

CODE # _____ Four-digit number on outside of carton.
PACKER # _____ See crystal package label.
ORDER # _____ See crystal package label.

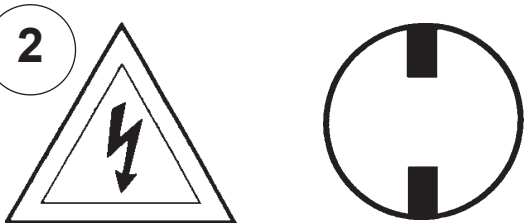
Instructions for crystal trimming
STEPS 19 - 37



Instructions for electrician STEPS 2 - 18

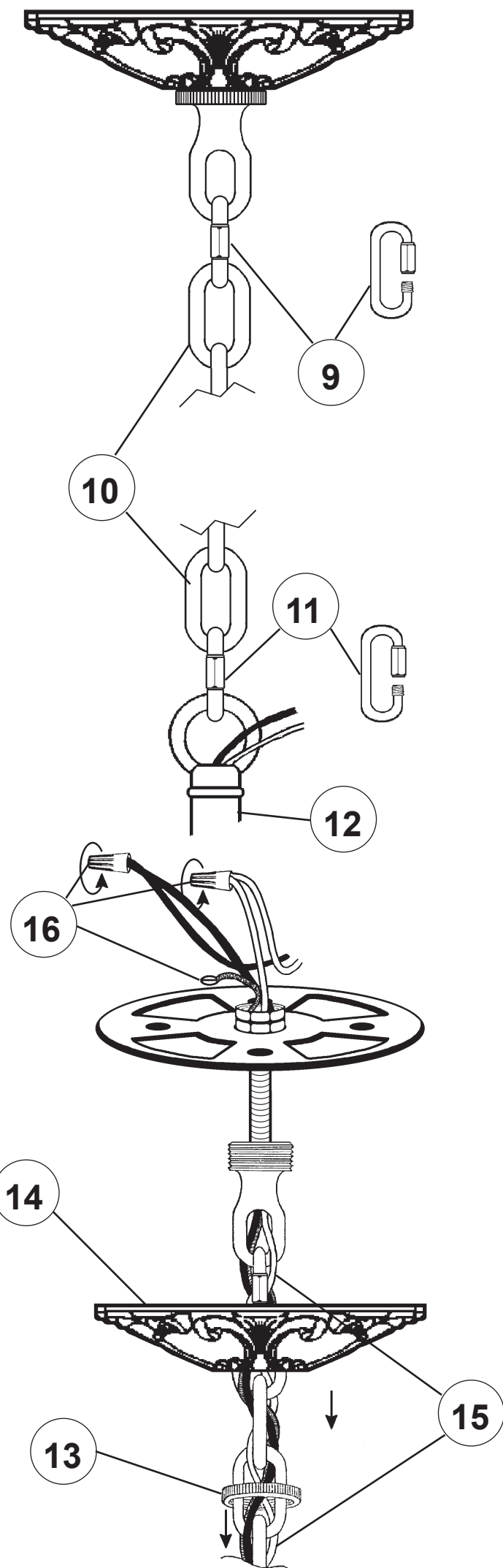
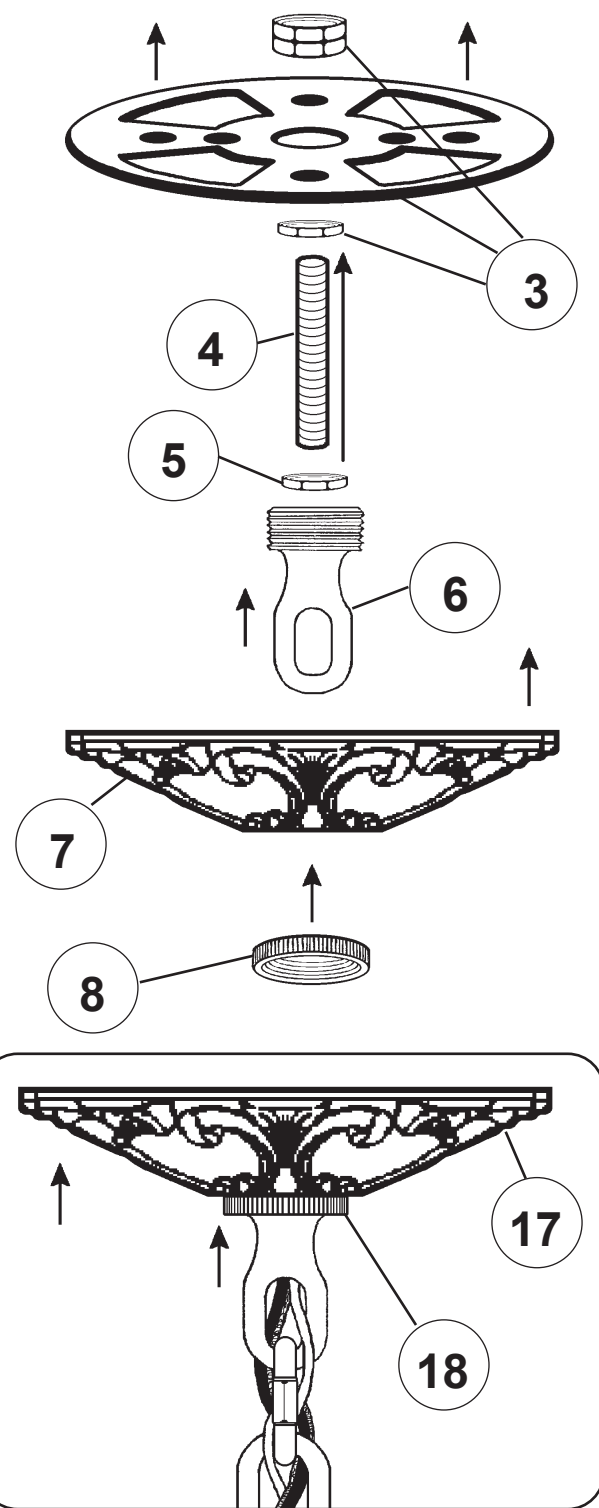
WARNING: THIS LUMINAIRE MUST BE MOUNTED OR SUPPORTED INDEPENDENTLY OF AN OUTLET BOX.

WARNING:



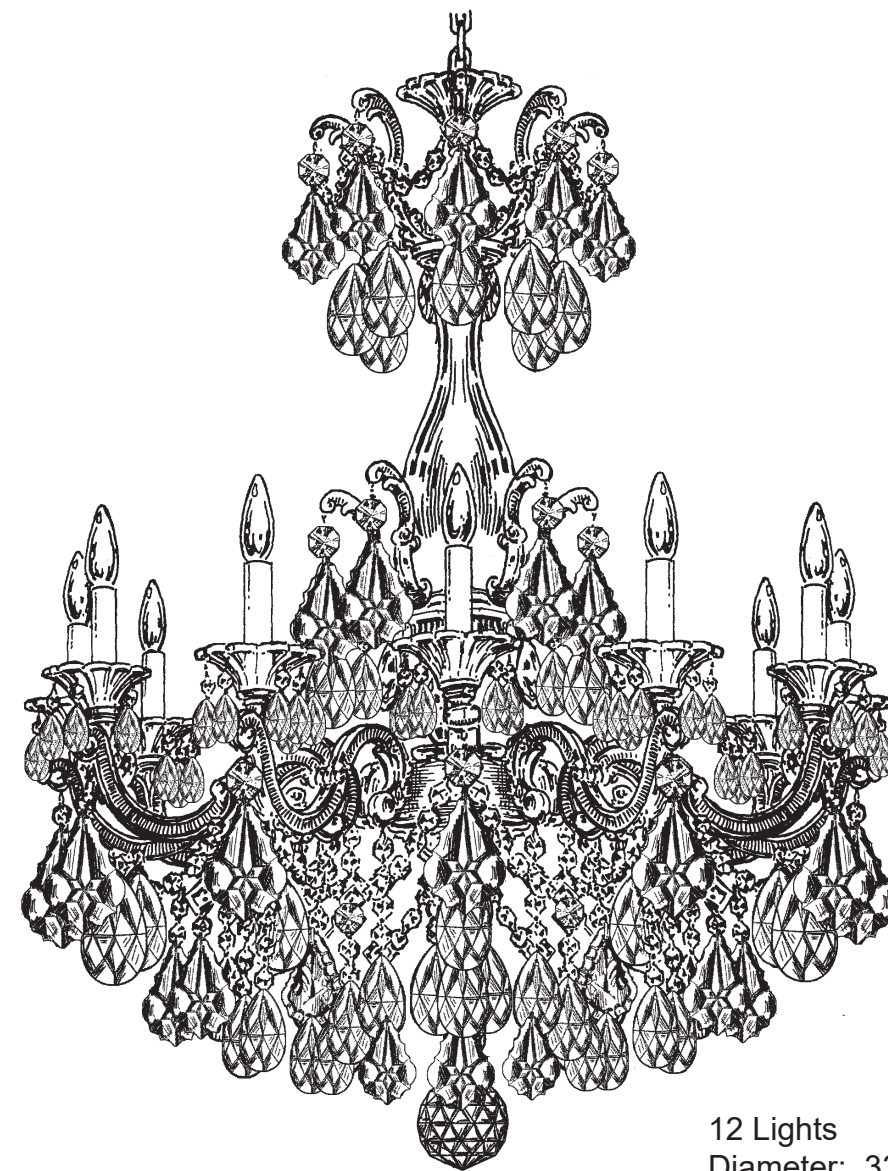
Electrical Danger Turn Power Off

All electrical components must be installed by a licensed electrician in accordance with the National Electric Code and the appropriate local electrical codes.



CHANDELIER 5011- _____ TRIM DIAGRAM

(Finish Option) (Trim Option)



12 Lights
Diameter: 33"
Body Length: 41"
Hanging Weight: 68 lbs.

THIS DESIGN IS THE PROPRIETARY TRADE DRESS/TRADEMARK OF W SCHONBEK LLC.



SCHONBEK | 1870

**See diagram on back page
Follow steps in exact order
Save this trim diagram for future reference**

1

IMPORTANT
Person who opens carton should record the following information for future service.

CODE # _____ Four-digit number on outside of carton.
PACKER # _____ See crystal package label.
ORDER # _____ See crystal package label.

Instructions for crystal trimming
STEPS 19 - 37

