


Instructions for electrician STEPS 2 - 22

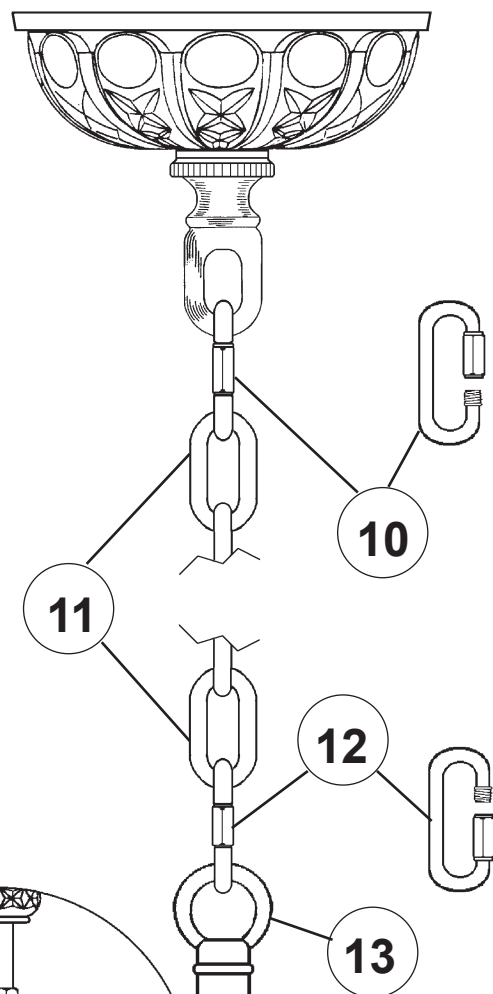
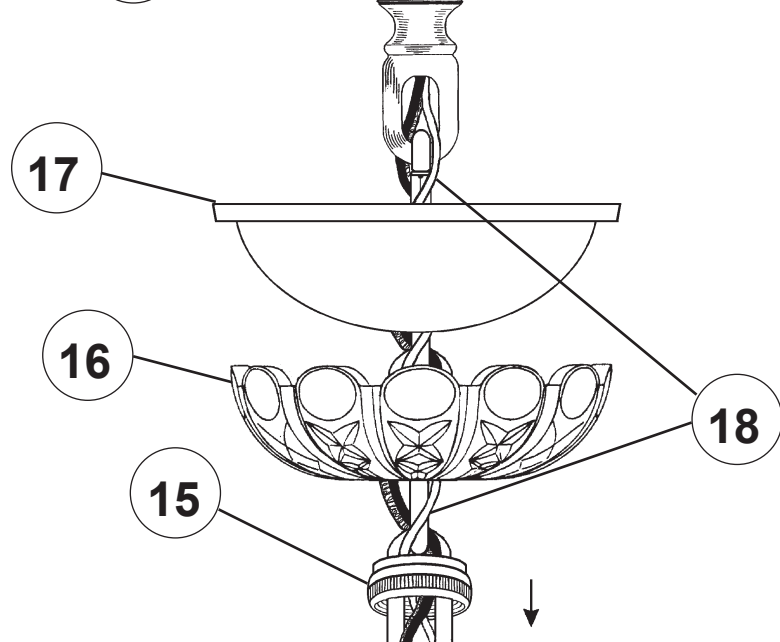
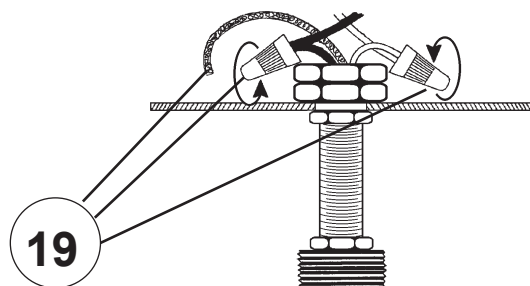
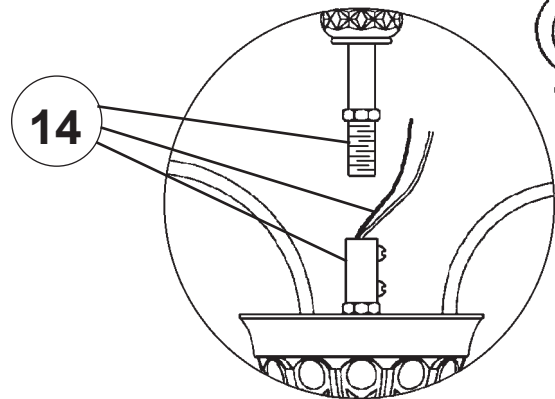
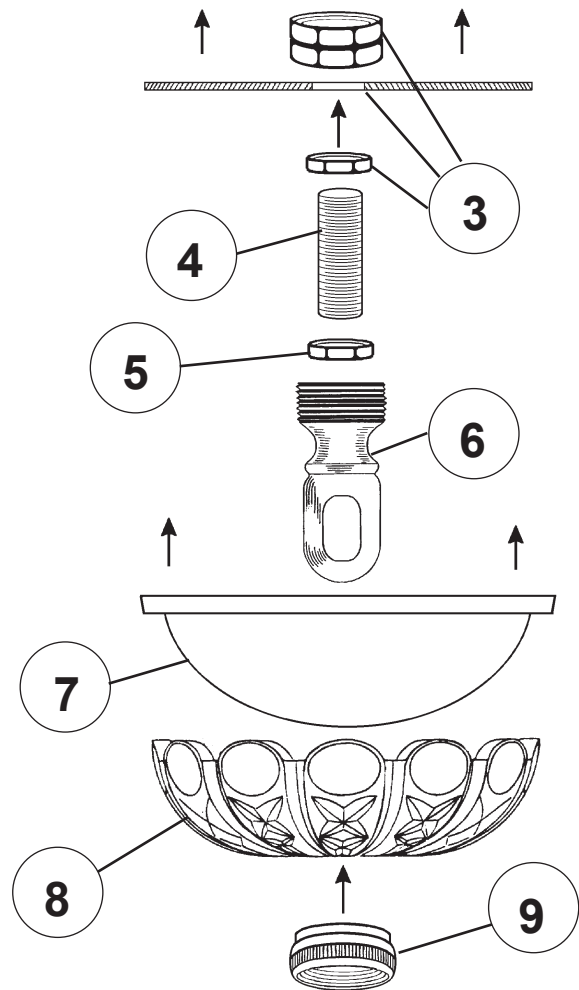
WARNING: THIS LUMINAIRE MUST BE MOUNTED OR SUPPORTED INDEPENDENTLY OF AN OUTLET BOX.

2 **WARNING:**



Electrical Danger **Turn Power Off**

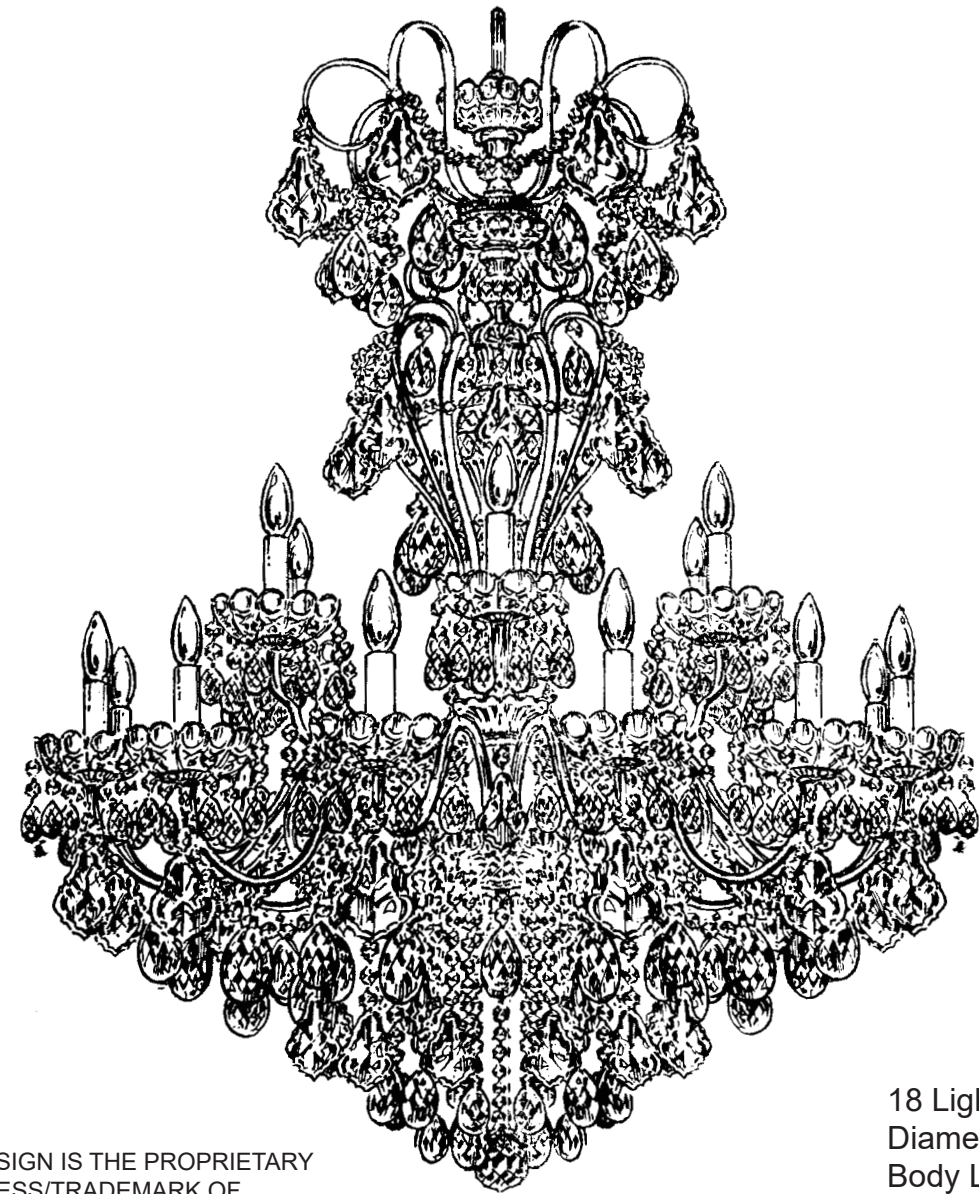
All electrical components must be installed by a licensed electrician in accordance with the National Electric Code and the appropriate local electrical codes.



CHANDELIER 3660-___H

(Finish Option)

TRIM DIAGRAM



18 Lights
Diameter: 36"
Body Length: 44"
Hanging Weight: 54 lbs.

THIS DESIGN IS THE PROPRIETARY TRADE DRESS/TRADEMARK OF W. SCHONBEK LLC.



SCHONBEK | 1870

See diagram on back page
Follow steps in exact order
Save this trim diagram for future reference


1

IMPORTANT
Please record the following information for future service.

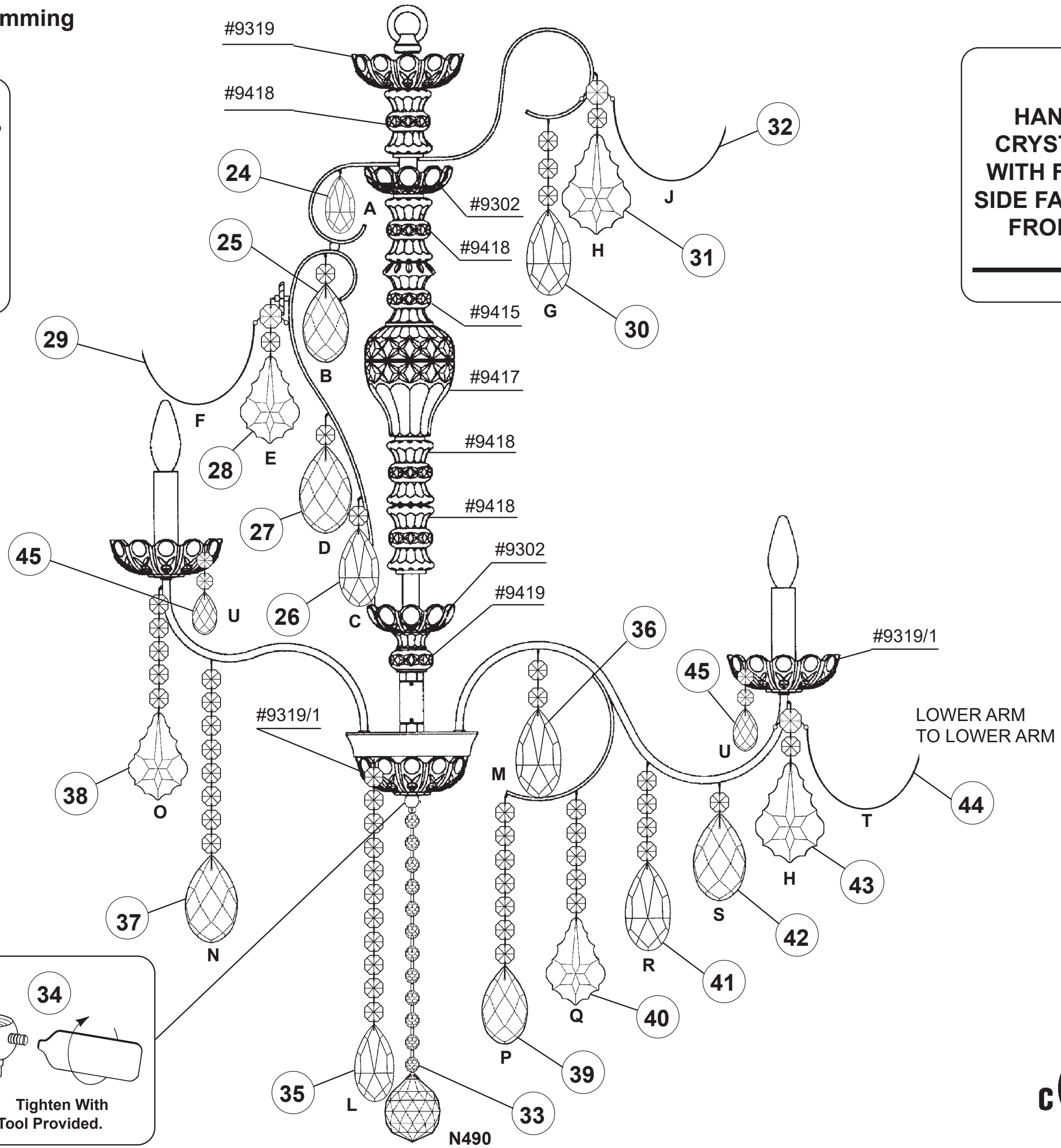
CODE # _____ Four-digit number on outside of carton.
PACKER # _____ See crystal package label.
ORDER # _____ See crystal package label.




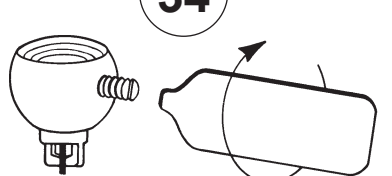
Instructions for crystal trimming
STEPS 23 - 45



23 18 - B10
 60 Watts Max
 25 Watts Recommend
 Install bulbs and be sure
 to test fixture **BEFORE**
 trimming.



**HANG
 CRYSTAL
 WITH FLAT
 SIDE FACING
 FRONT**

34

Tighten With
 Tool Provided.

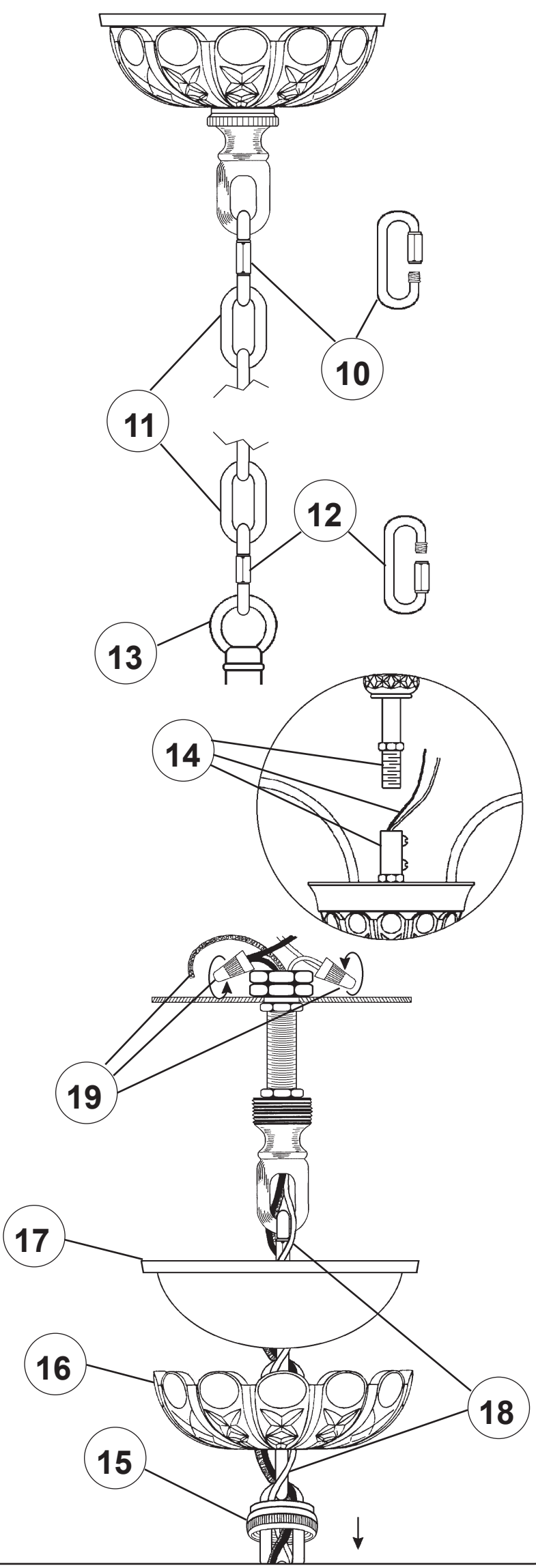
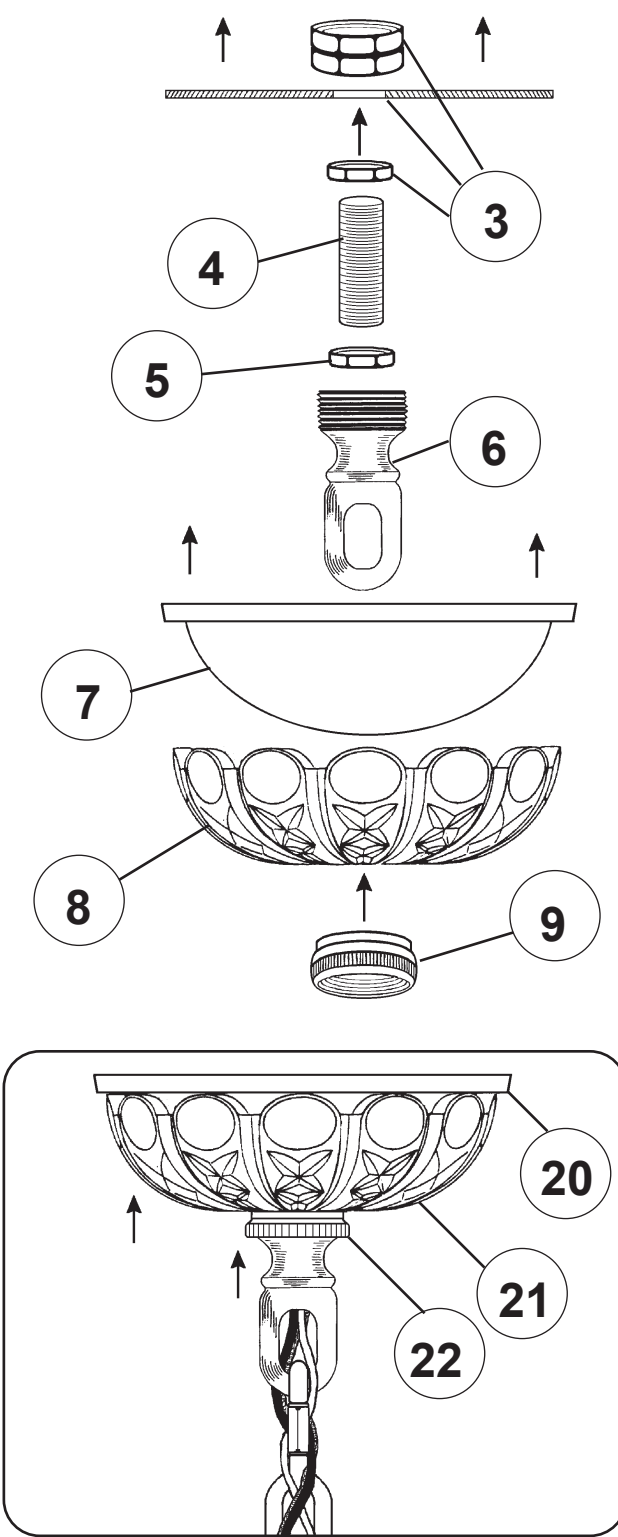
Instructions for electrician STEPS 2 - 22

WARNING: THIS LUMINAIRE MUST BE MOUNTED OR SUPPORTED INDEPENDENTLY OF AN OUTLET BOX.

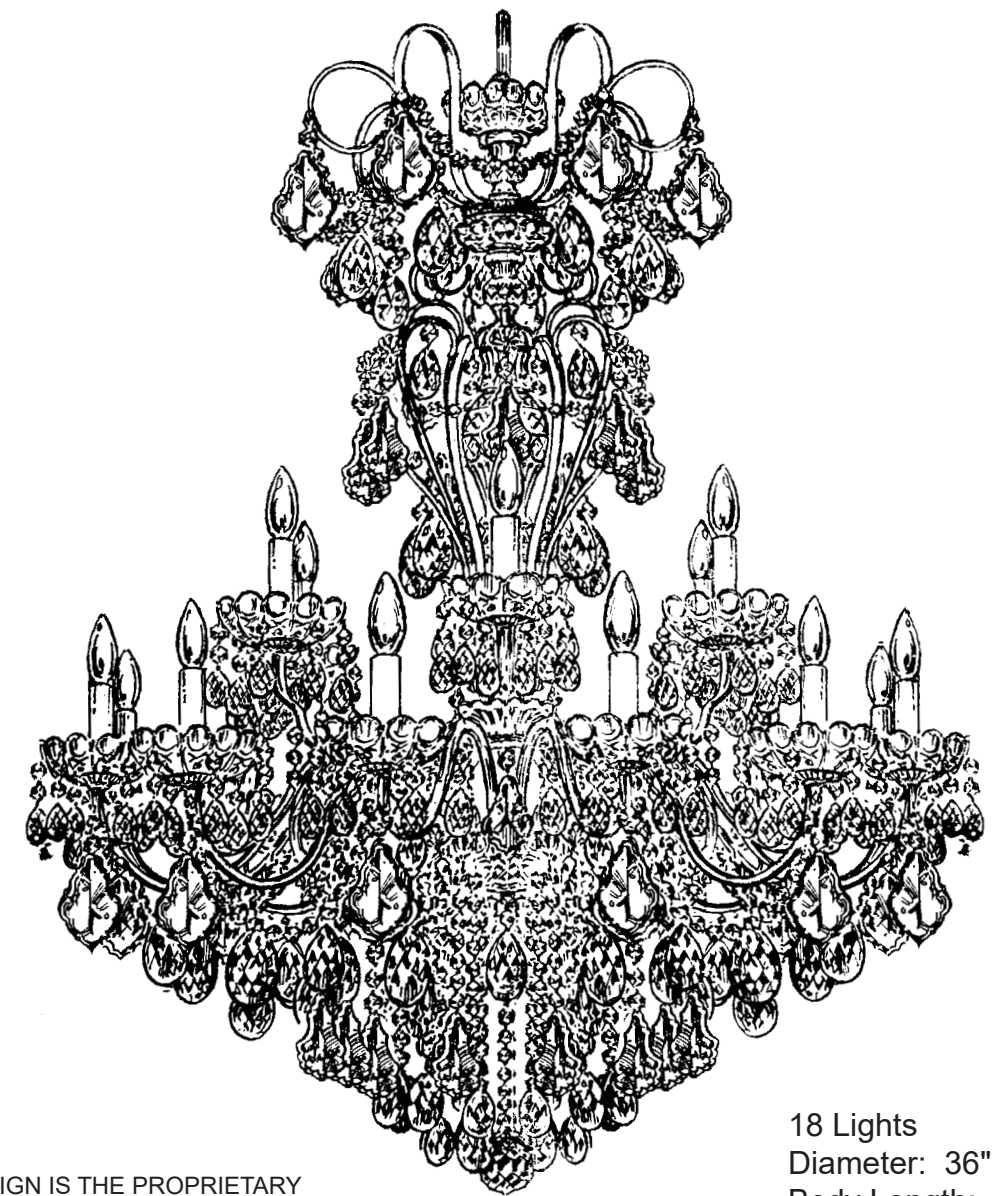
2 **WARNING:**

Electrical Danger Turn Power Off

All electrical components must be installed by a licensed electrician in accordance with the National Electric Code and the appropriate local electrical codes.



CHANDELIER 3660-____R TRIM DIAGRAM (Finish Option)



18 Lights
Diameter: 36"
Body Length: 44"
Hanging Weight: 54 lbs.

THIS DESIGN IS THE PROPRIETARY TRADE DRESS/TRADemark OF W SCHONBEK LLC.



**See diagram on back page
Follow steps in exact order
Save this trim diagram for future reference**

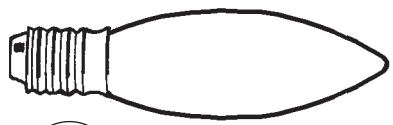
1 **IMPORTANT**
Person who opens carton should record the following information for future service.

CODE # _____ Four-digit number on outside of carton.
PACKER # _____ See crystal package label.
ORDER # _____ See crystal package label.



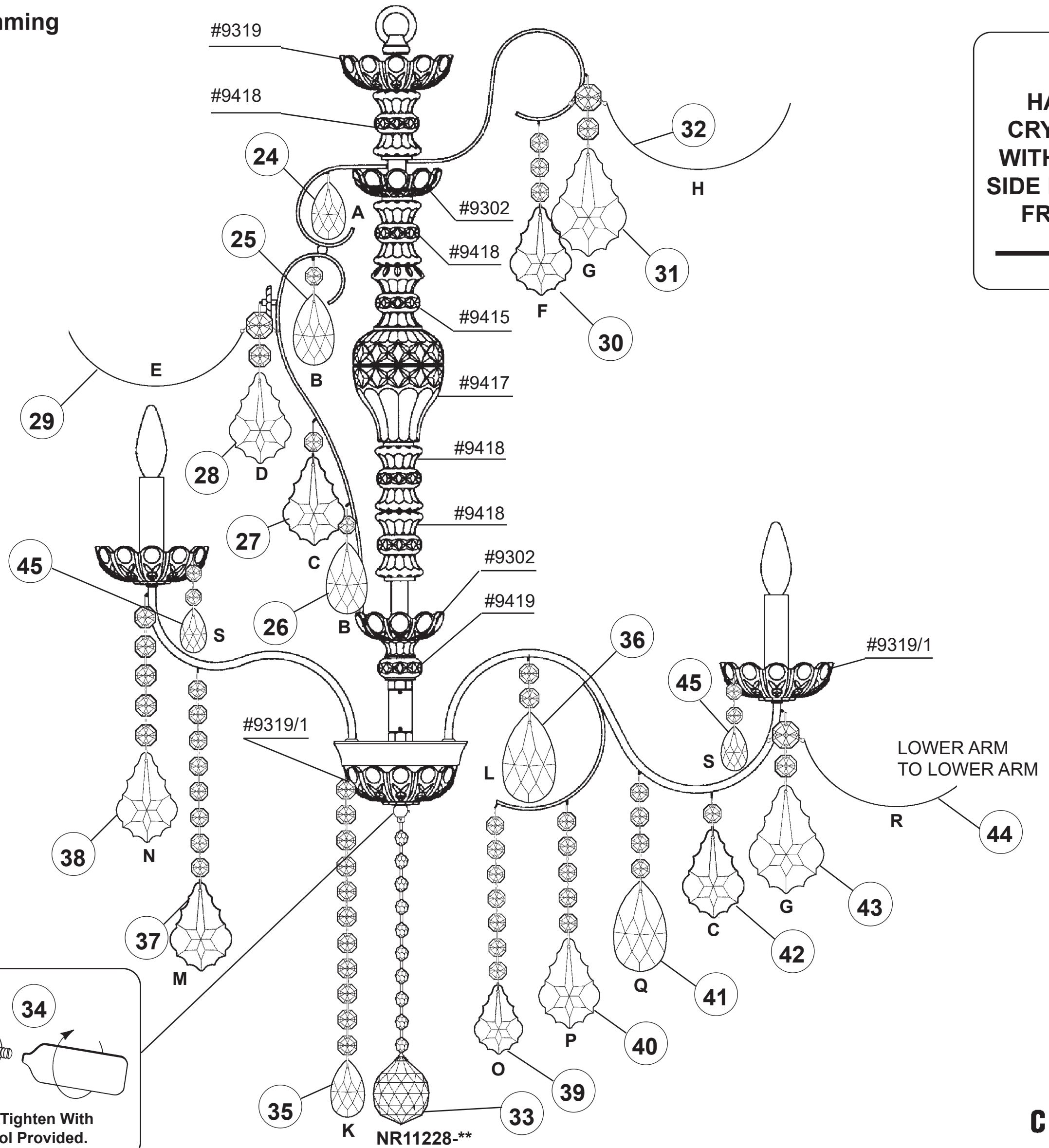
Instructions for crystal trimming
STEPS 23 - 45

23

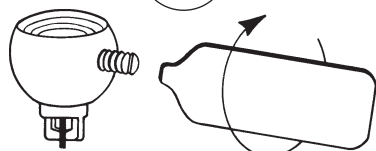


You will need 18 - B10
 25 Watts Recommended
 60 Watts Max

Install bulbs and be sure
 to test fixture **BEFORE**
 trimming.




34



Tighten With
 Tool Provided.

**HANG
 CRYSTAL
 WITH FLAT
 SIDE FACING
 FRONT**



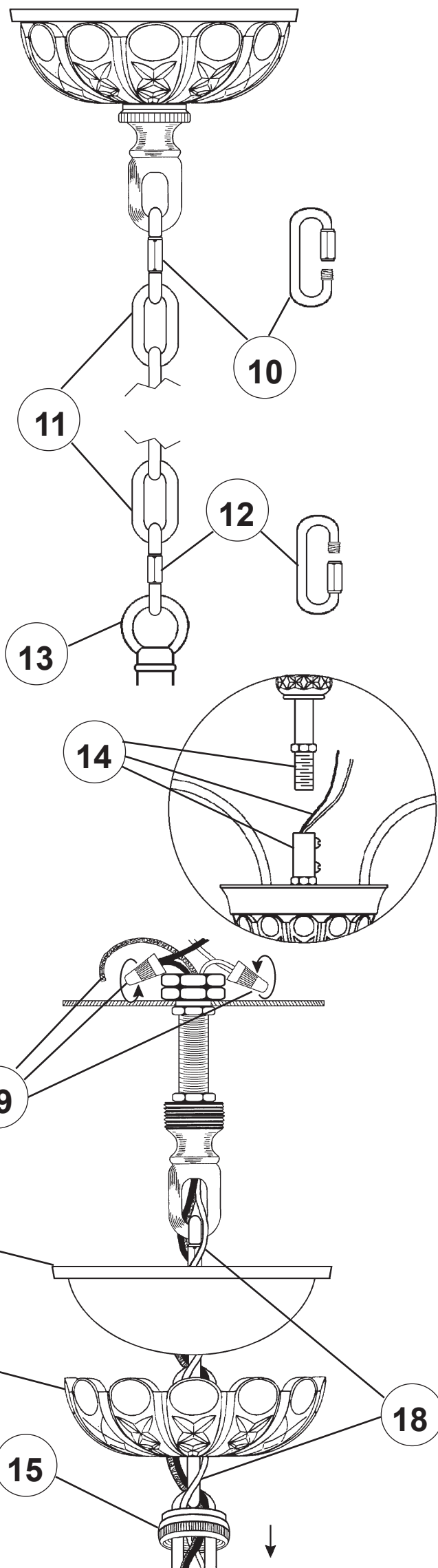
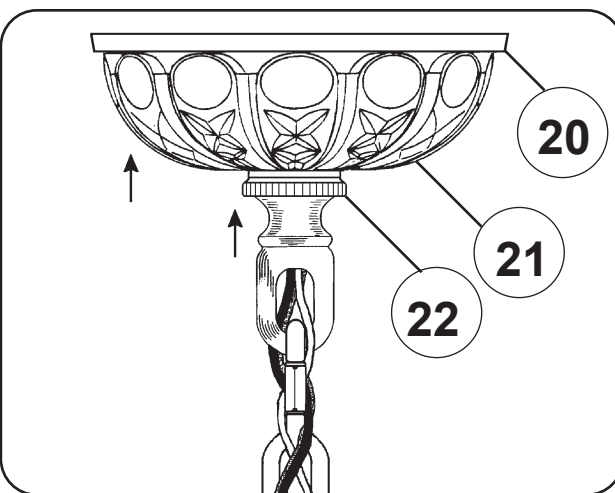
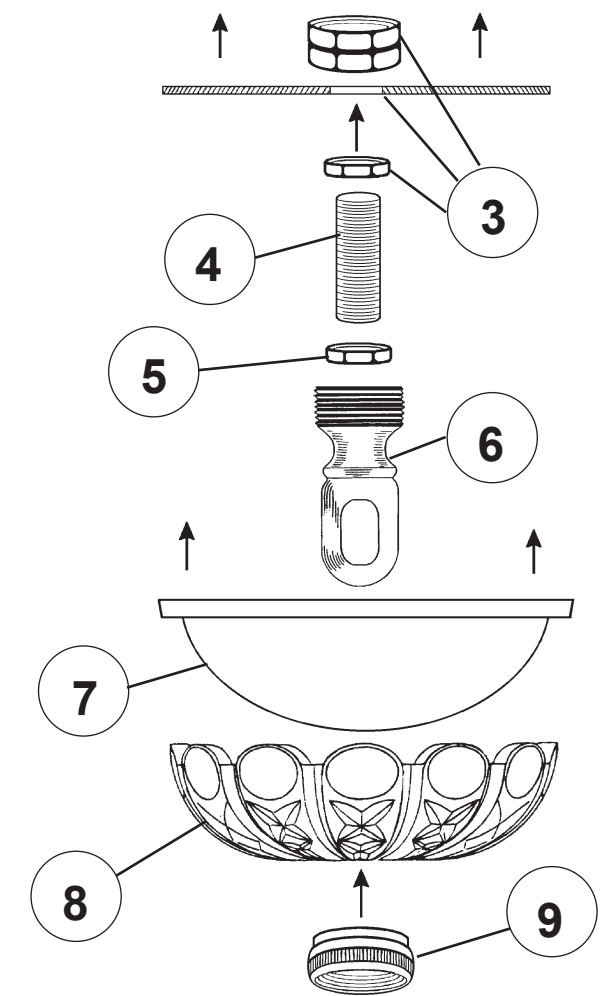
Instructions for electrician STEPS 2 - 22

WARNING: THIS LUMINAIRE MUST BE MOUNTED OR SUPPORTED INDEPENDENTLY OF AN OUTLET BOX.

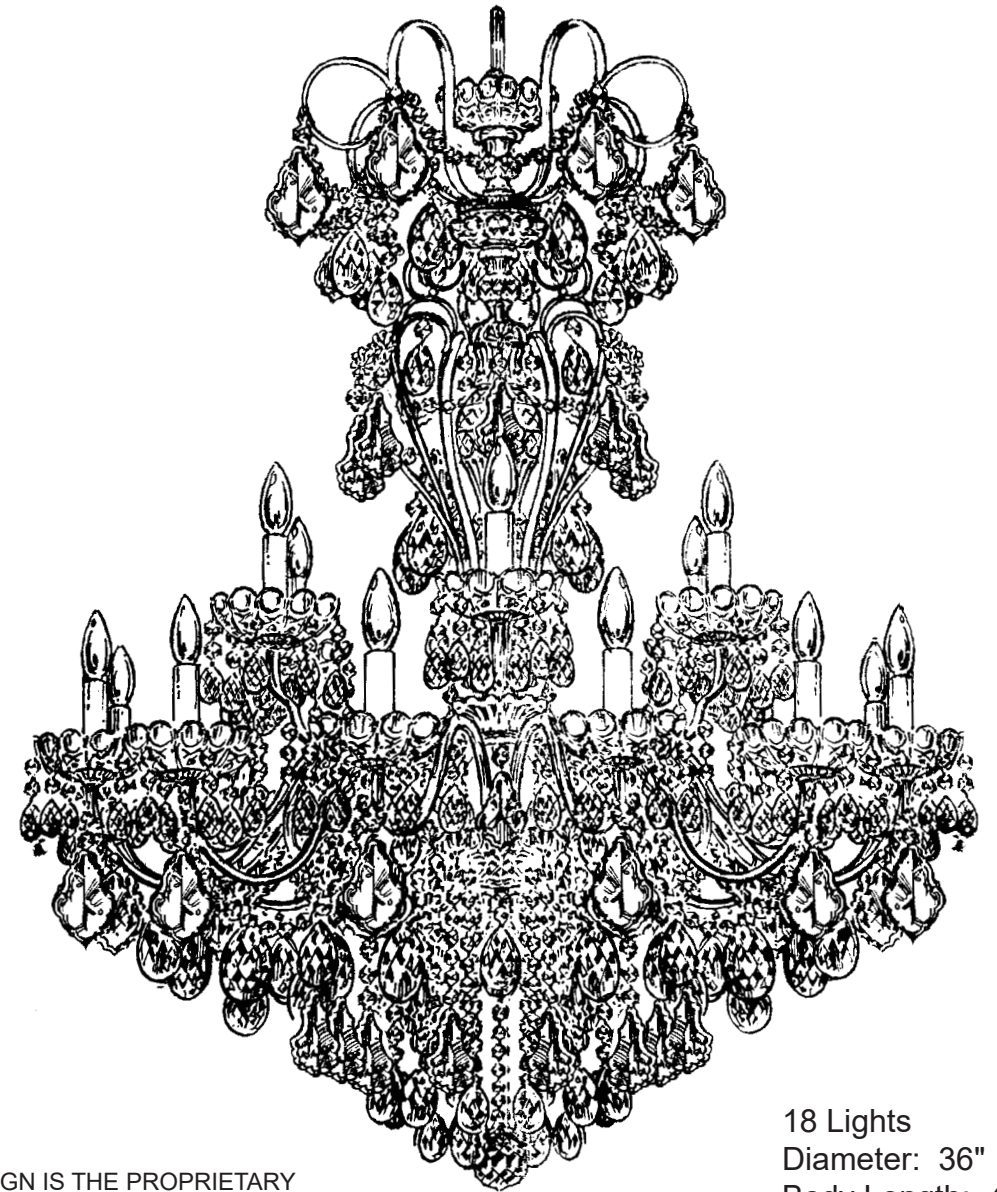
2 **WARNING:**

Electrical Danger Turn Power Off

All electrical components must be installed by a licensed electrician in accordance with the National Electric Code and the appropriate local electrical codes.



CHANDELIER 3660-____S TRIM DIAGRAM (Finish Option)



18 Lights
Diameter: 36"
Body Length: 44"
Hanging Weight: 54 lbs.

THIS DESIGN IS THE PROPRIETARY TRADE DRESS/TRADEMARK OF W SCHONBEK LLC.



See diagram on back page
Follow steps in exact order
Save this trim diagram for future reference

1 **IMPORTANT**
Person who opens carton should record the following information for future service.

CODE #	_____	Four-digit number on outside of carton.
PACKER #	_____	See crystal package label.
ORDER #	_____	See crystal package label.



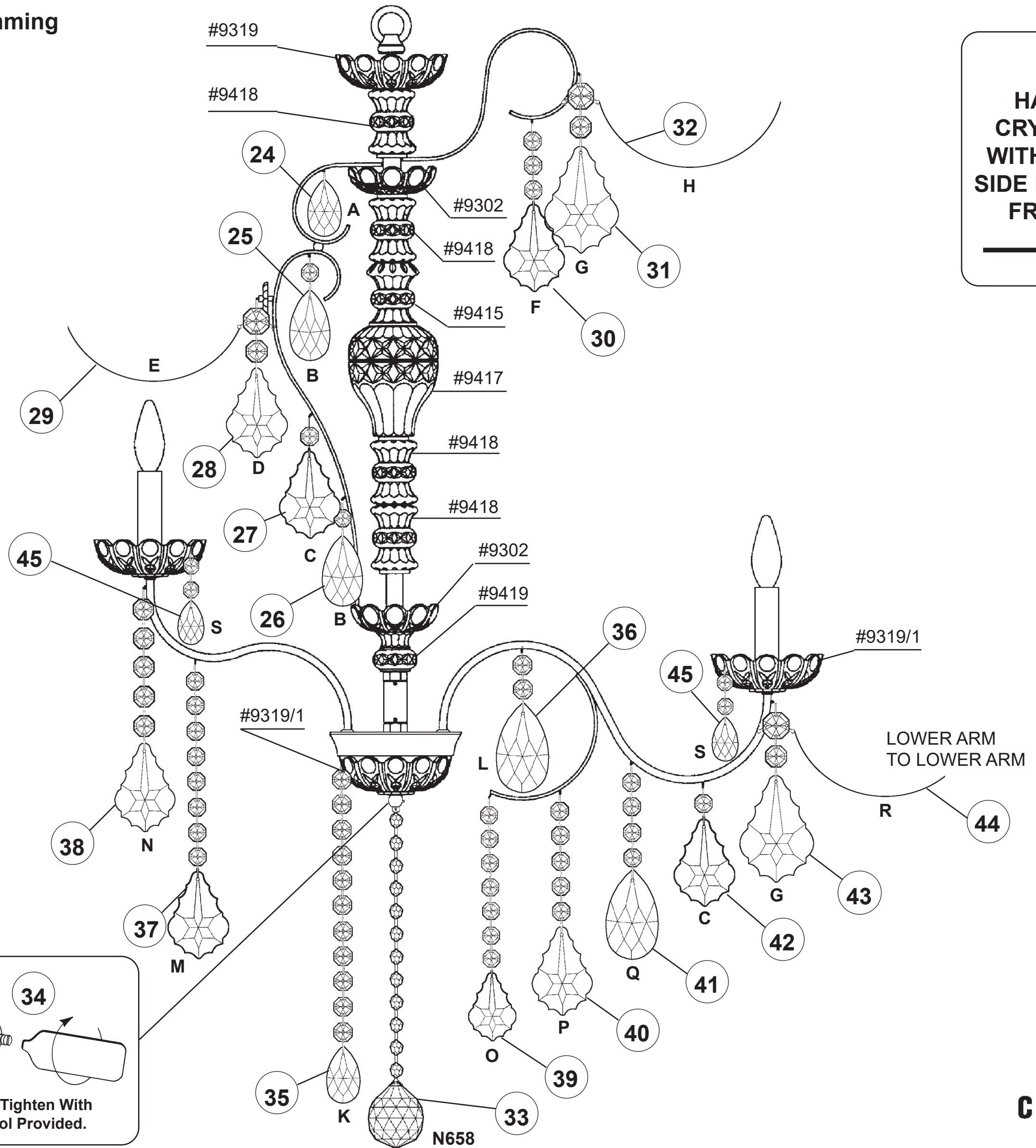
Instructions for crystal trimming
STEPS 23 - 45

23




You will need 18 - B10
 25 Watts Recommended
 60 Watts Max

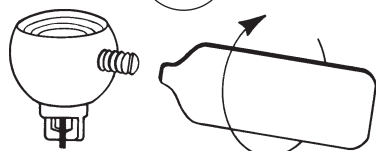
Install bulbs and be sure
 to test fixture **BEFORE**
 trimming.



**HANG
 CRYSTAL
 WITH FLAT
 SIDE FACING
 FRONT**



34



Tighten With
 Tool Provided.

