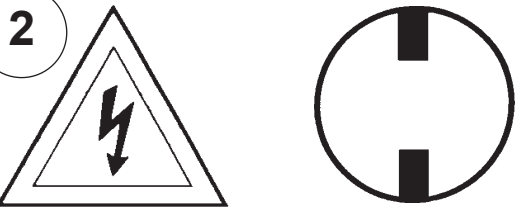


Instructions for electrician STEPS 2 - 21

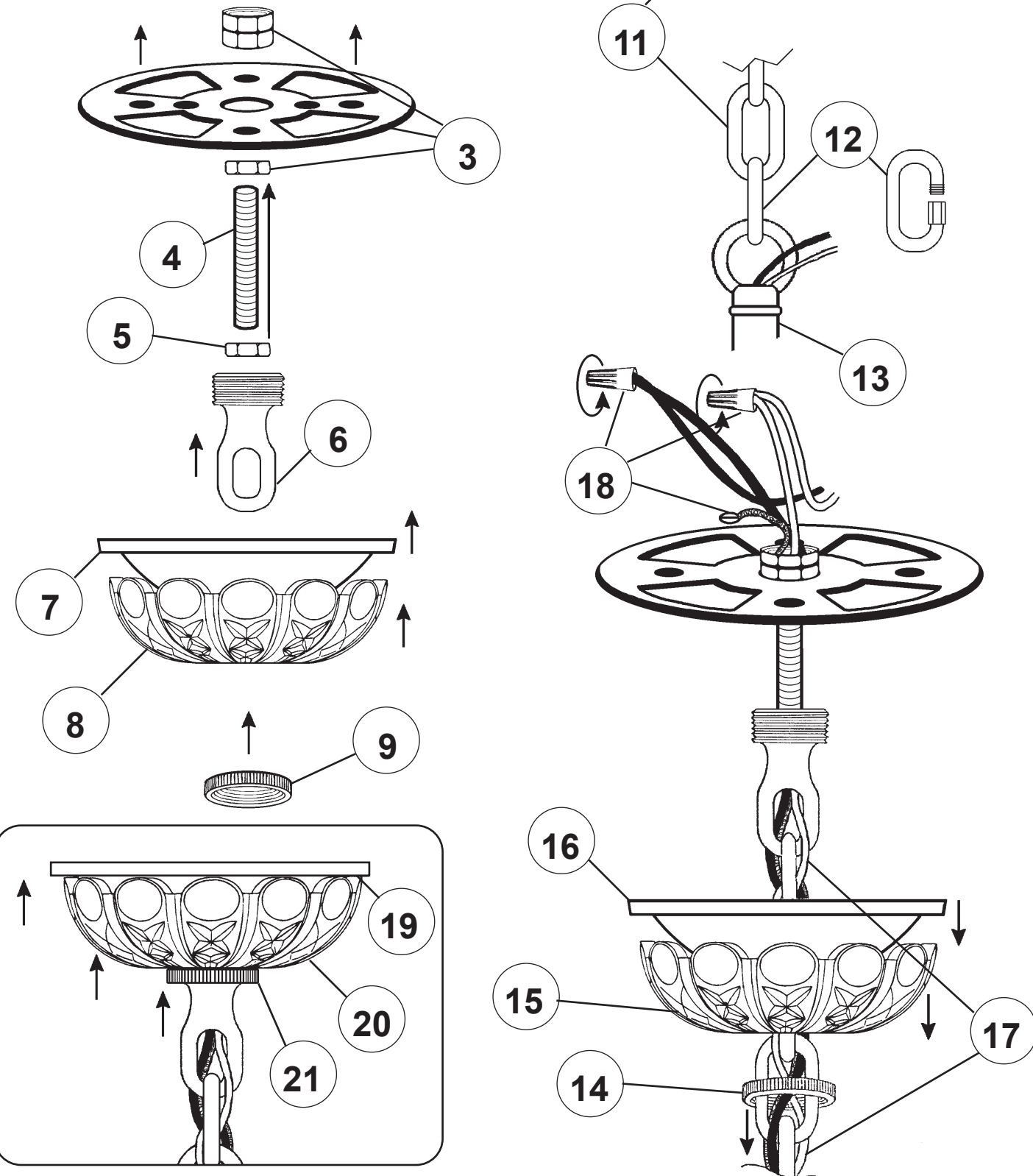
WARNING: THIS LUMINAIRE MUST BE MOUNTED OR SUPPORTED INDEPENDENTLY OF AN OUTLET BOX.

WARNING:

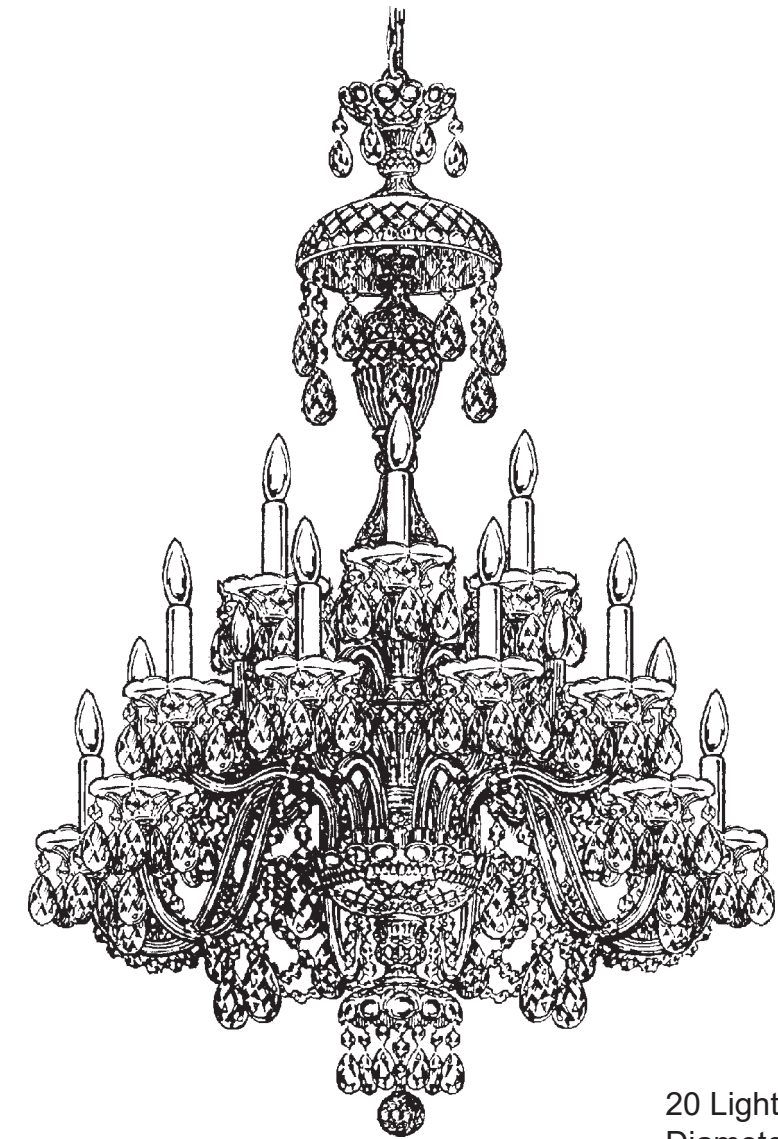


Electrical Danger Turn Power Off

All electrical components must be installed by a licensed electrician in accordance with the National Electric Code and the appropriate local electrical codes.



CHANDELIER 2998-____H TRIM DIAGRAM (Finish Option)



20 Lights
Diameter: 34"
Body Length: 43"
Hanging Weight: 54 pounds

THIS DESIGN IS THE PROPRIETARY TRADE DRESS/TRADEMARK OF W SCHONBEK LLC.

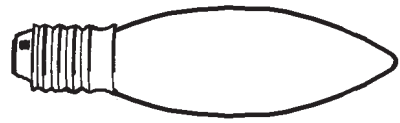


**See diagram on back page
Follow steps in exact order
Save this trim diagram for future reference**

IMPORTANT
1 Person who opens carton should record the following information for future service.
CODE # _____ Four-digit number on outside of carton.
PACKER # _____ See crystal package label.
ORDER # _____ See crystal package label.

Instructions for crystal trimming

STEPS 22 - 37



23

You will need 20 - B10
25 Watts Recommended
60 Watts Max

Install bulbs and be sure to test fixture BEFORE trimming.

22

Install upper arms into the inside holes on the washer. **ALTERNATELY** install the middle and lower arms into the outside holes on the washer. **NOTE: THE FIRST LOWER ARM INSTALLED SHOULD LINE UP WITH AN UPPER ARM.** Line up holes in arms with dimple in washer. Use lock tapered nut to secure arms in place.



This end goes up against washer.

Connect ground wire in each arm to ground wire in center column. **NO MORE THAN 5-WIRES PER WIRE NUT.** Use electrical tape to secure wire nuts.

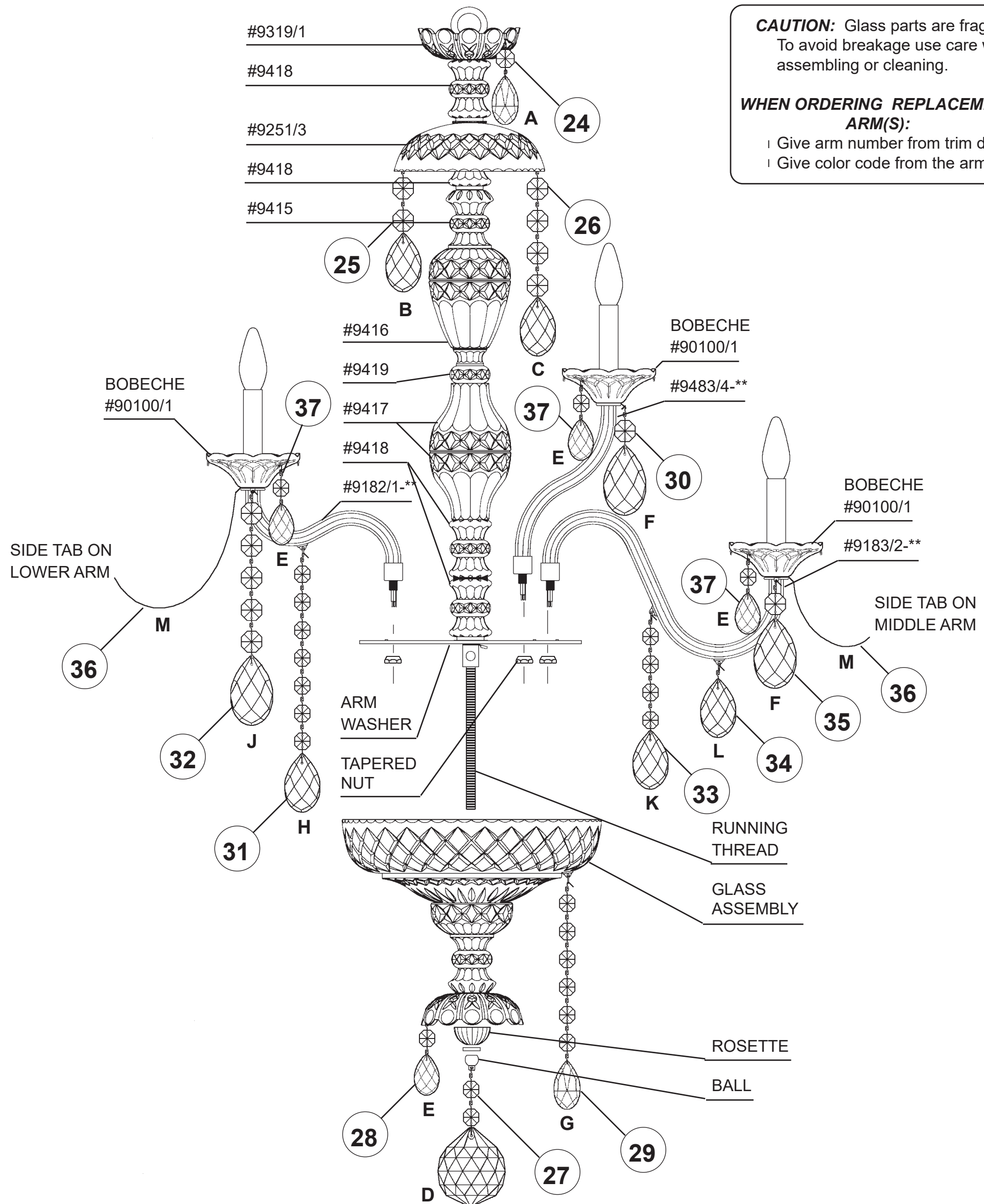
Connect white arm wires to neutral column wire (ribbed or marked is neutral).

Connect black arm wires to the power wire in column. Carefully press wires as close as possible to the underside of washer.

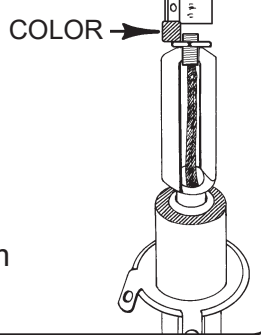
Install bobeche, bulbs, connect power and test the fixture **BEFORE** attaching glass assembly. If any of the bulbs do **NOT** light - **DISCONNECT POWER.**

Double check the wire connections.

Install running thread into hex coupling. Attach glass assembly with rosette, round nut and ball.



CAUTION: Glass parts are fragile. To avoid breakage use care when assembling or cleaning.



WHEN ORDERING REPLACEMENT ARM(S):

- ! Give arm number from trim diagram
- ! Give color code from the arm itself

