

BAGATELLE 1260N- ___ H













10 + 3 Lights
Diameter: 35"
Body Length: 24-1/2"
Hanging Weight: 29lbs.

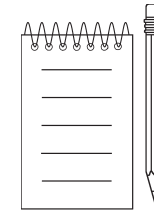
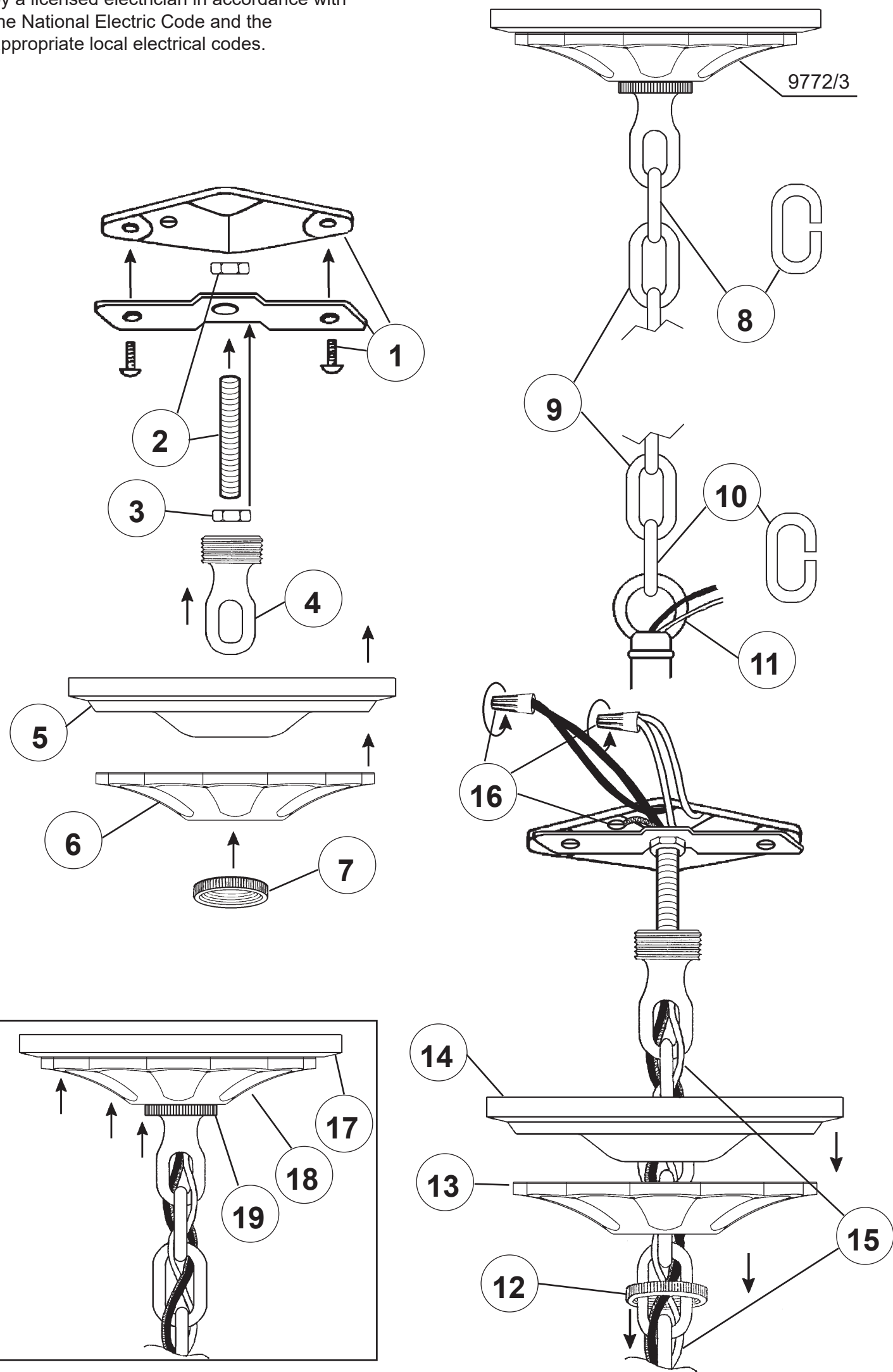
THIS DESIGN IS THE PROPRIETARY
TRADE DRESS/TRADEMARK OF
W SCHONBEK LLC.

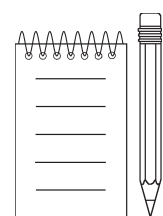
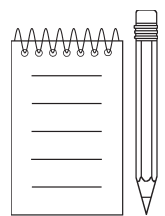
 **SCHONBEK** | 1870

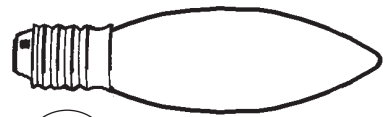
 **SCHONBEK** | 1870

								
10 X MAX 60 W	3 X MAX 40 W	110-120 V						

All electrical components must be installed by a licensed electrician in accordance with the National Electric Code and the appropriate local electrical codes.

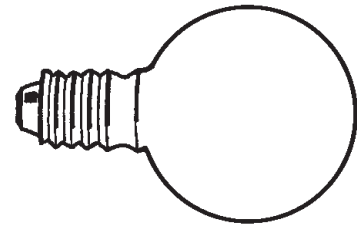






20

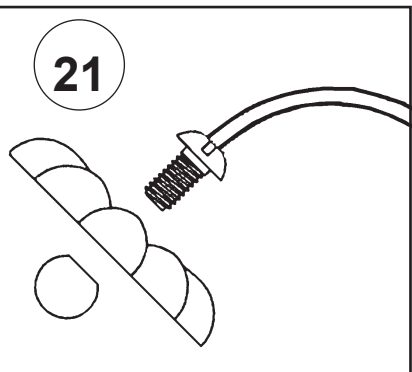
You will need 10 - B10
25 Watts Recommended
60 Watts Max



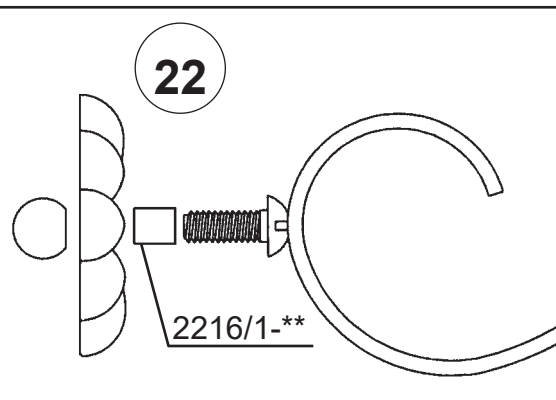
3 - G12
25 Watts Recommended (supplied)
40 Watts Max

Install bulbs and be sure to
test fixture **BEFORE**
trimming.

21



22



9764/1

90156

26

90028/1

9764

90156

3279

32

G

E

29

D

90043

23

30018/2

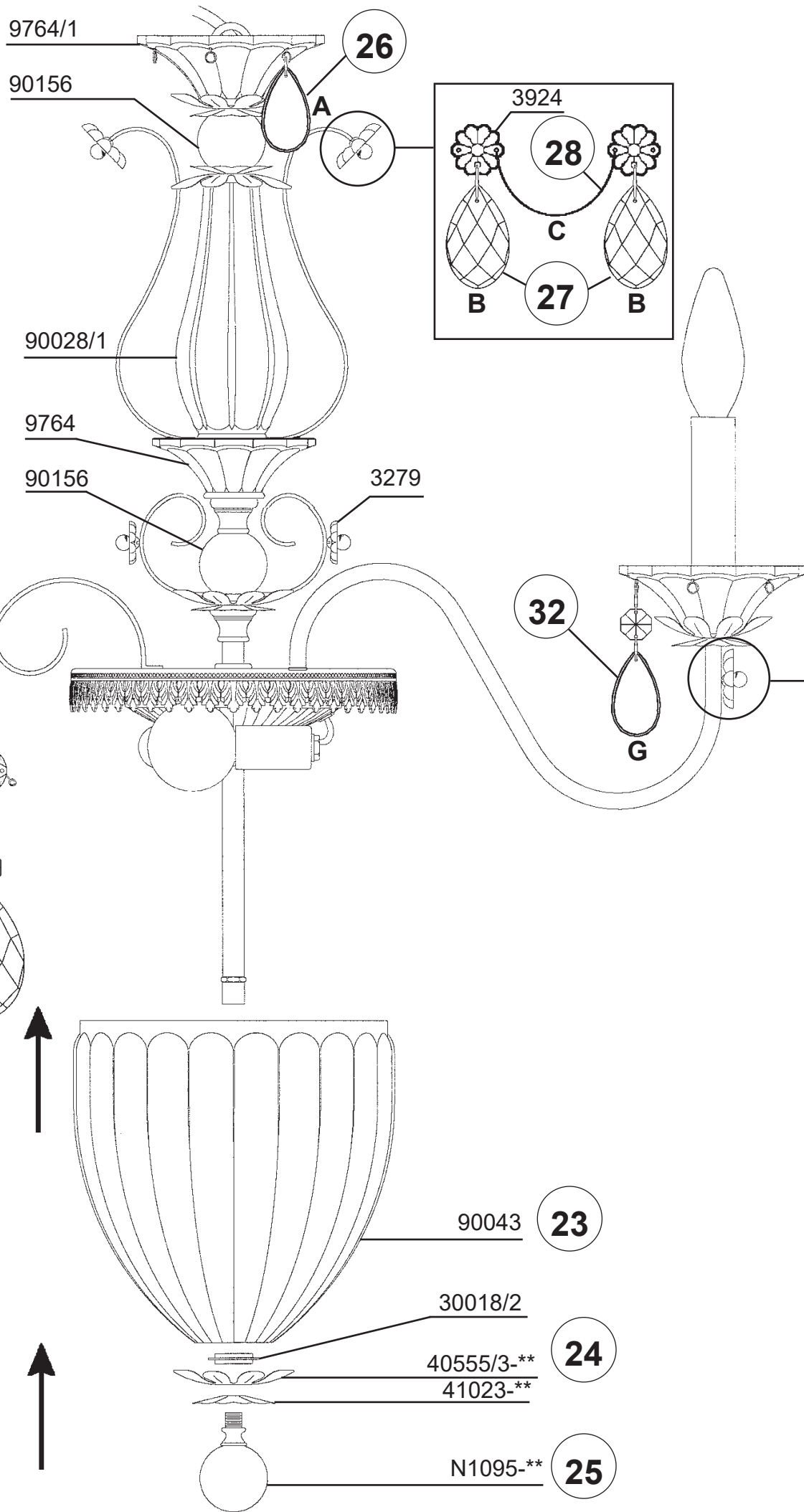
40555/3-**

41023-**

24

N1095-**

25



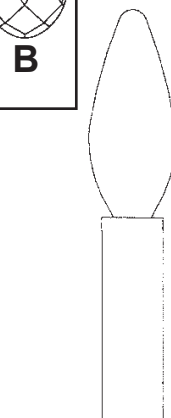
3924

28

C

B

27



9764/1

3924

31

30

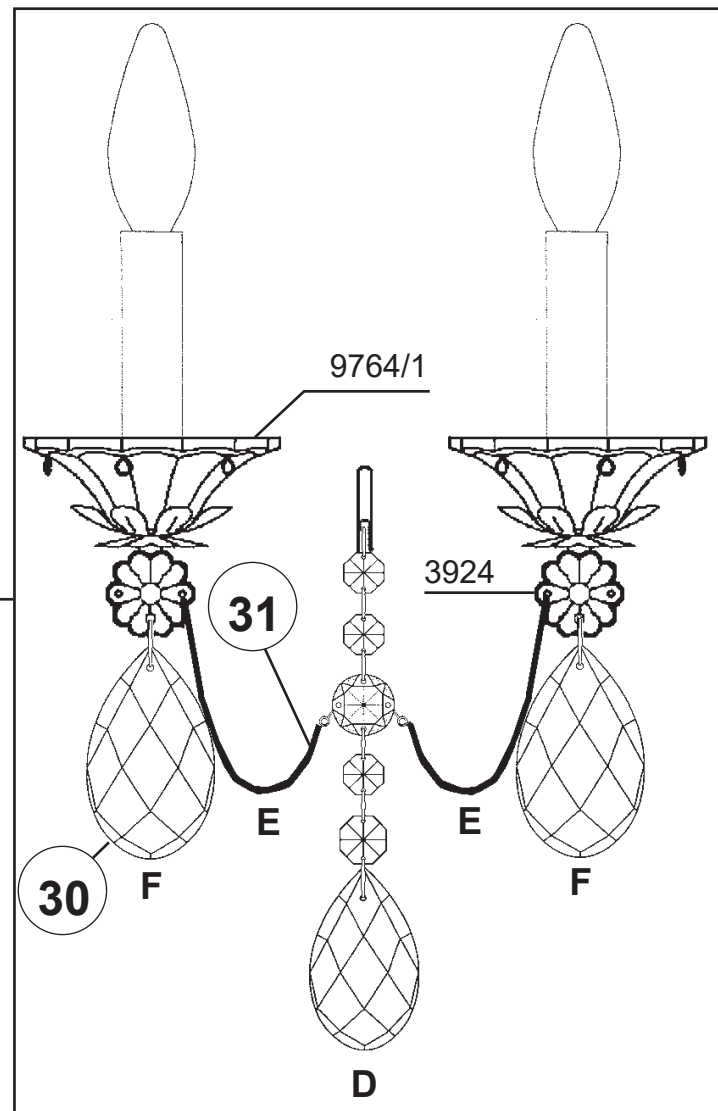
F

E

E

F

D



BAGATELLE 1260N-__ __R













10 + 3 Lights
Diameter: 35"
Body Length: 24-1/2"
Hanging Weight: 29lbs.

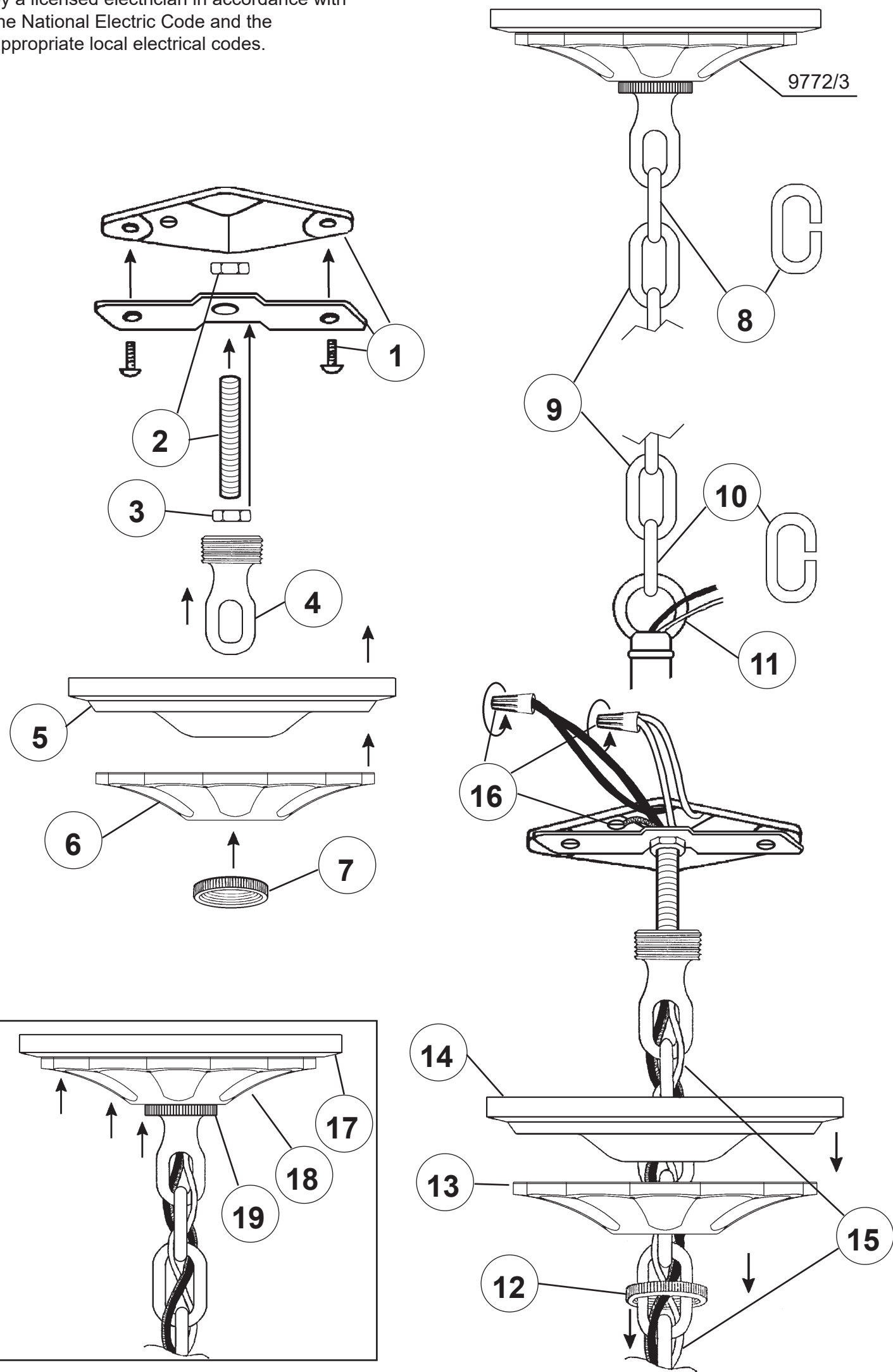
THIS DESIGN IS THE PROPRIETARY TRADE DRESS/TRADEMARK OF W SCHONBEK LLC.

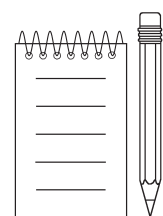
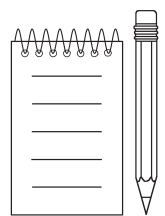
 **SCHONBEK** | 1870

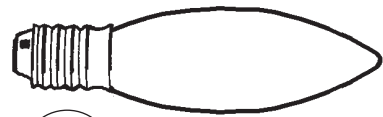
 **SCHONBEK** | 1870

								
10 X MAX 60 W		3 X MAX 40 W		110-120 V				

All electrical components must be installed by a licensed electrician in accordance with the National Electric Code and the appropriate local electrical codes.

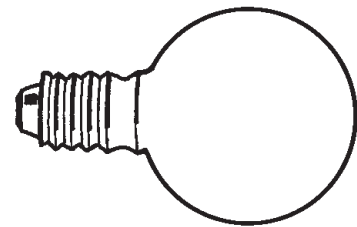






20

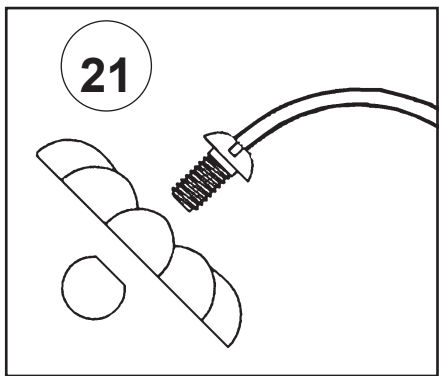
You will need 10 - B10
25 Watts Recommended
60 Watts Max



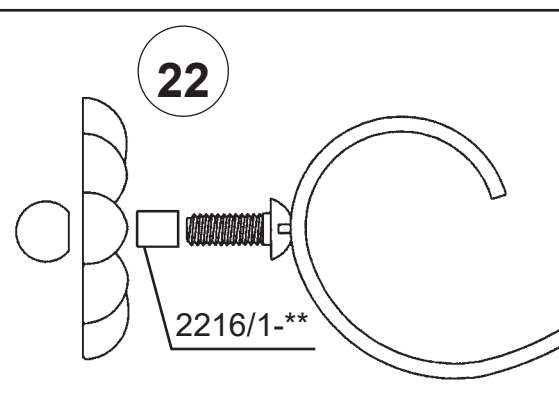
3 - G12
25 Watts Recommended (supplied)
40 Watts Max

Install bulbs and be sure to
test fixture **BEFORE**
trimming.

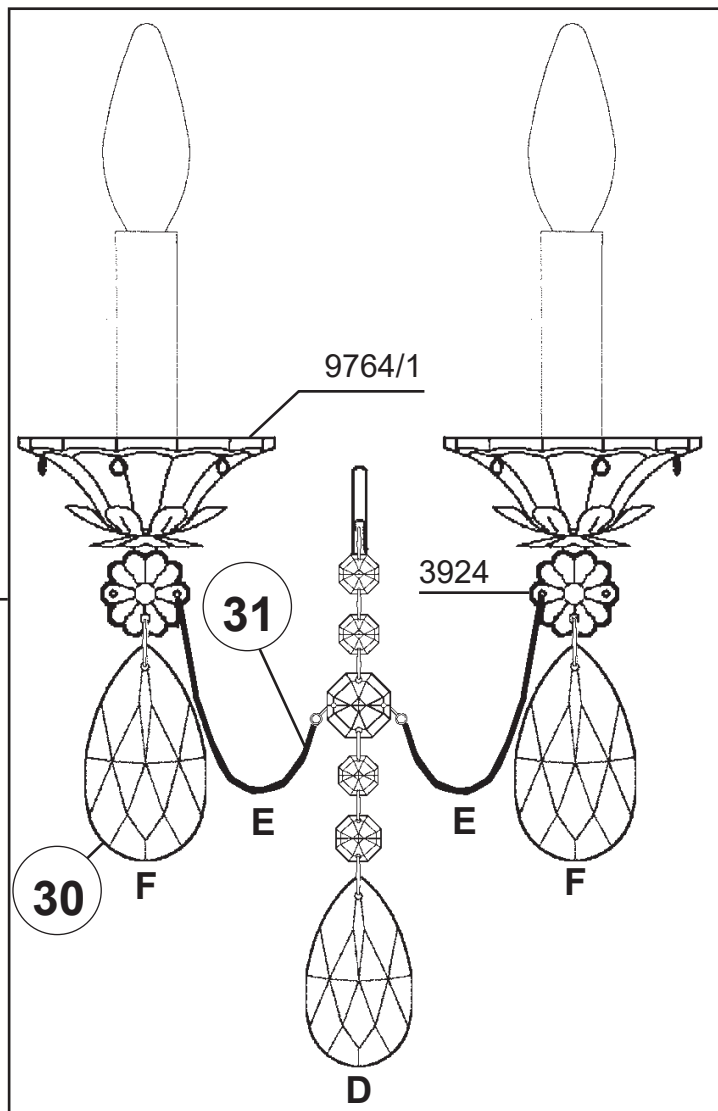
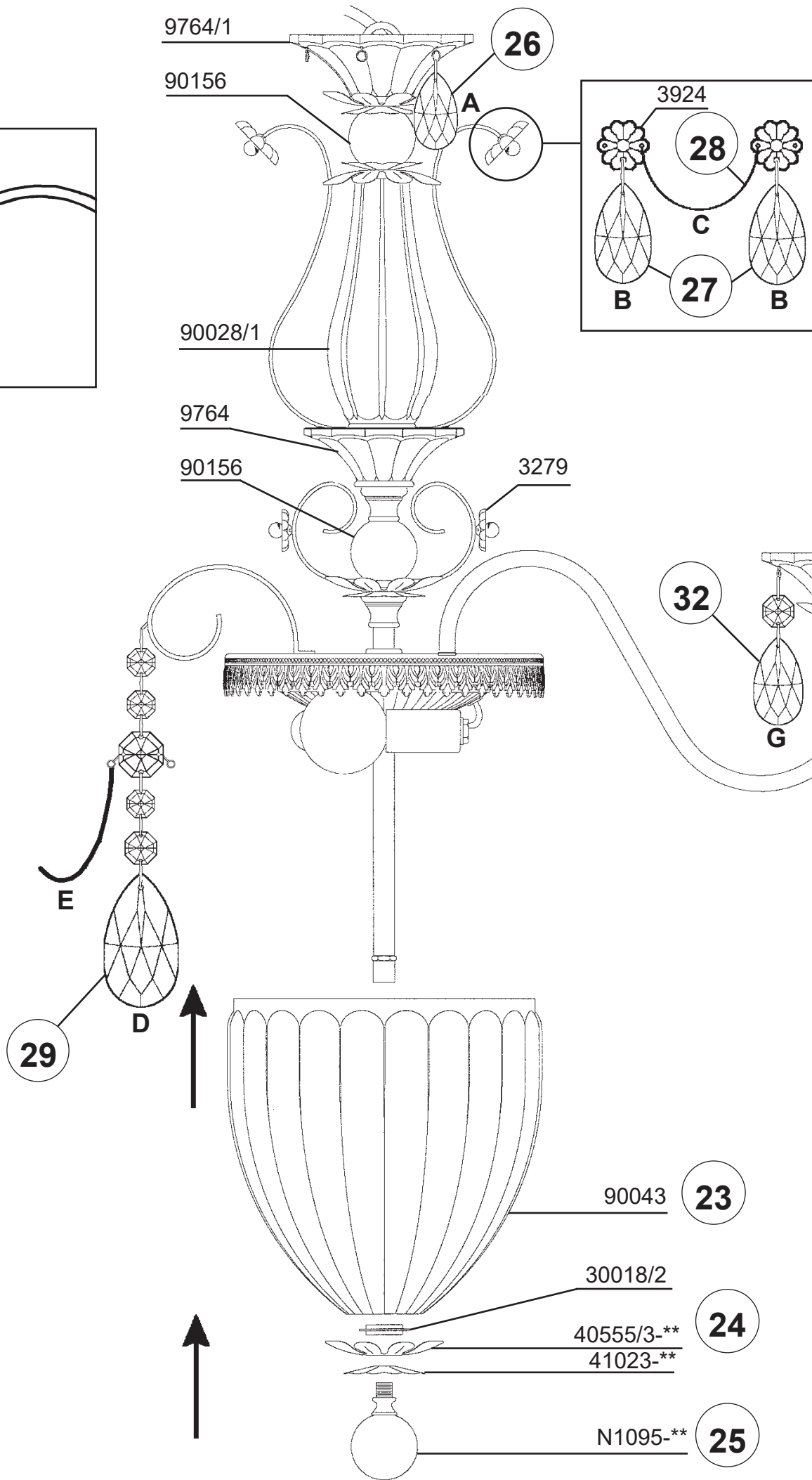
21



22



29



BAGATELLE 1260N- __ __ S













10 + 3 Lights
Diameter: 35"
Body Length: 24-1/2"
Hanging Weight: 29lbs.

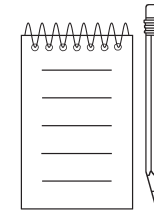
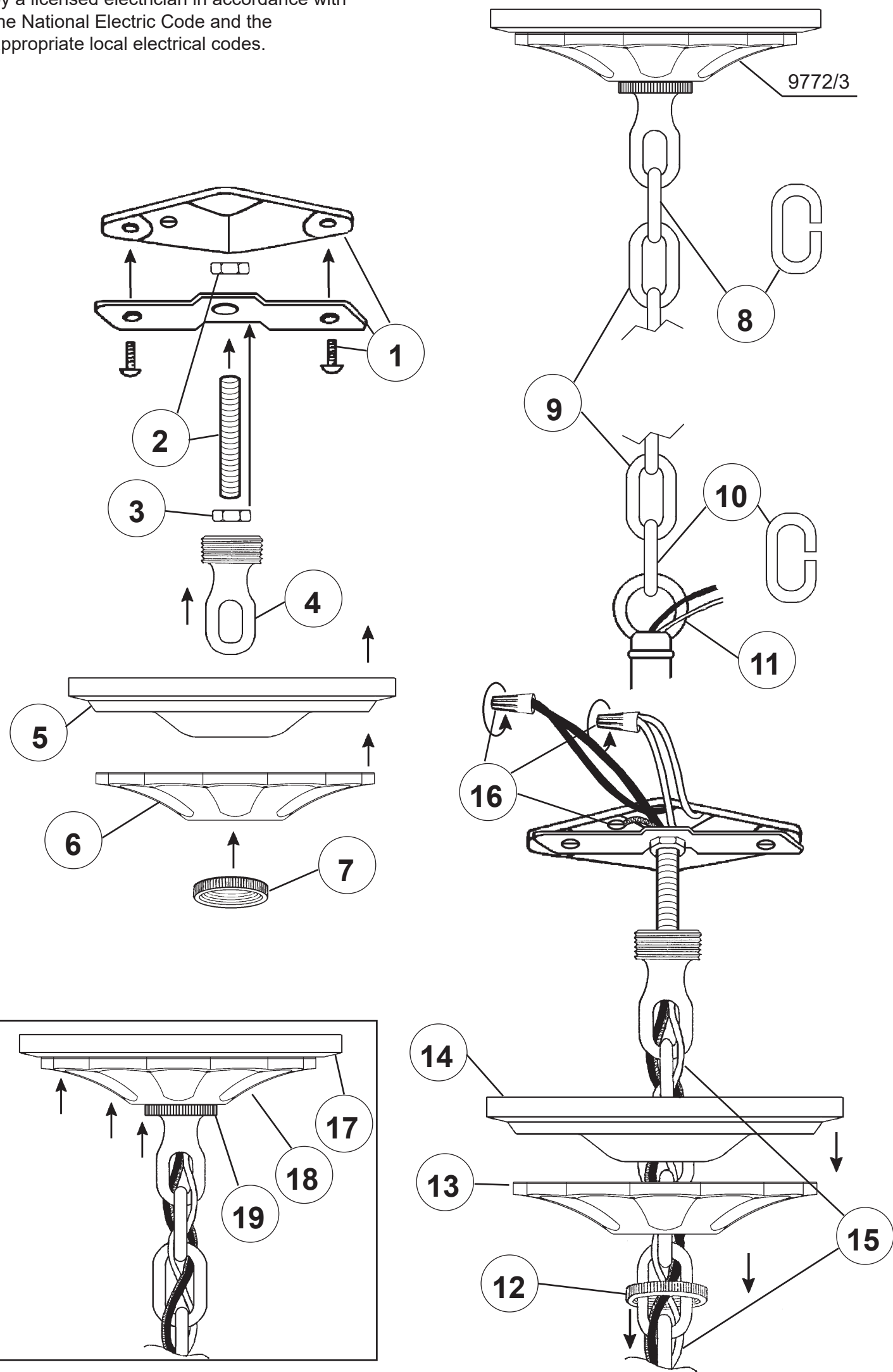
THIS DESIGN IS THE PROPRIETARY
TRADE DRESS/TRADEMARK OF
W SCHONBEK LLC.

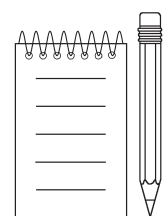
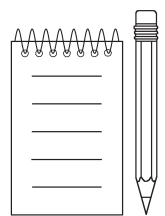
 **SCHONBEK** | 1870

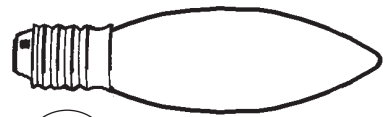
 **SCHONBEK** | 1870

								
10 X MAX 60 W	3 X MAX 40 W	110-120 V						

All electrical components must be installed by a licensed electrician in accordance with the National Electric Code and the appropriate local electrical codes.

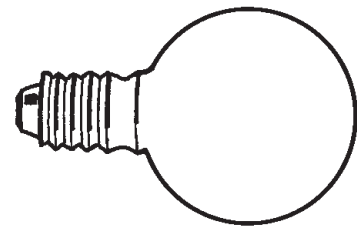






20

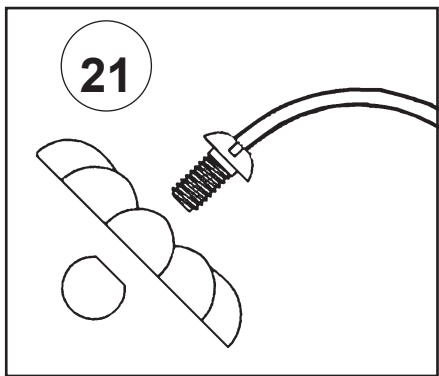
You will need 10 - B10
25 Watts Recommended
60 Watts Max



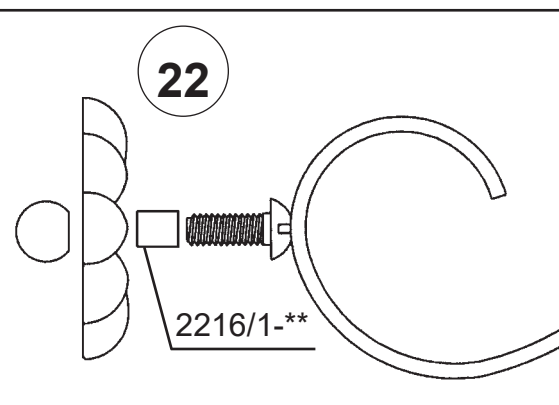
3 - G12
25 Watts Recommended (supplied)
40 Watts Max

Install bulbs and be sure to
test fixture **BEFORE**
trimming.

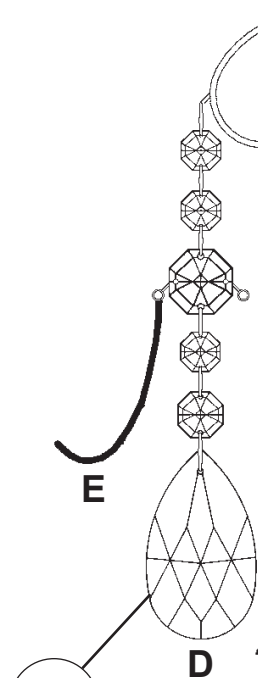
21



22



29



9764/1 26

90156

90028/1

9764

90156

3279

32

G

90043 23

30018/2

40555/3-** 24

41023-**

N1095-** 25

