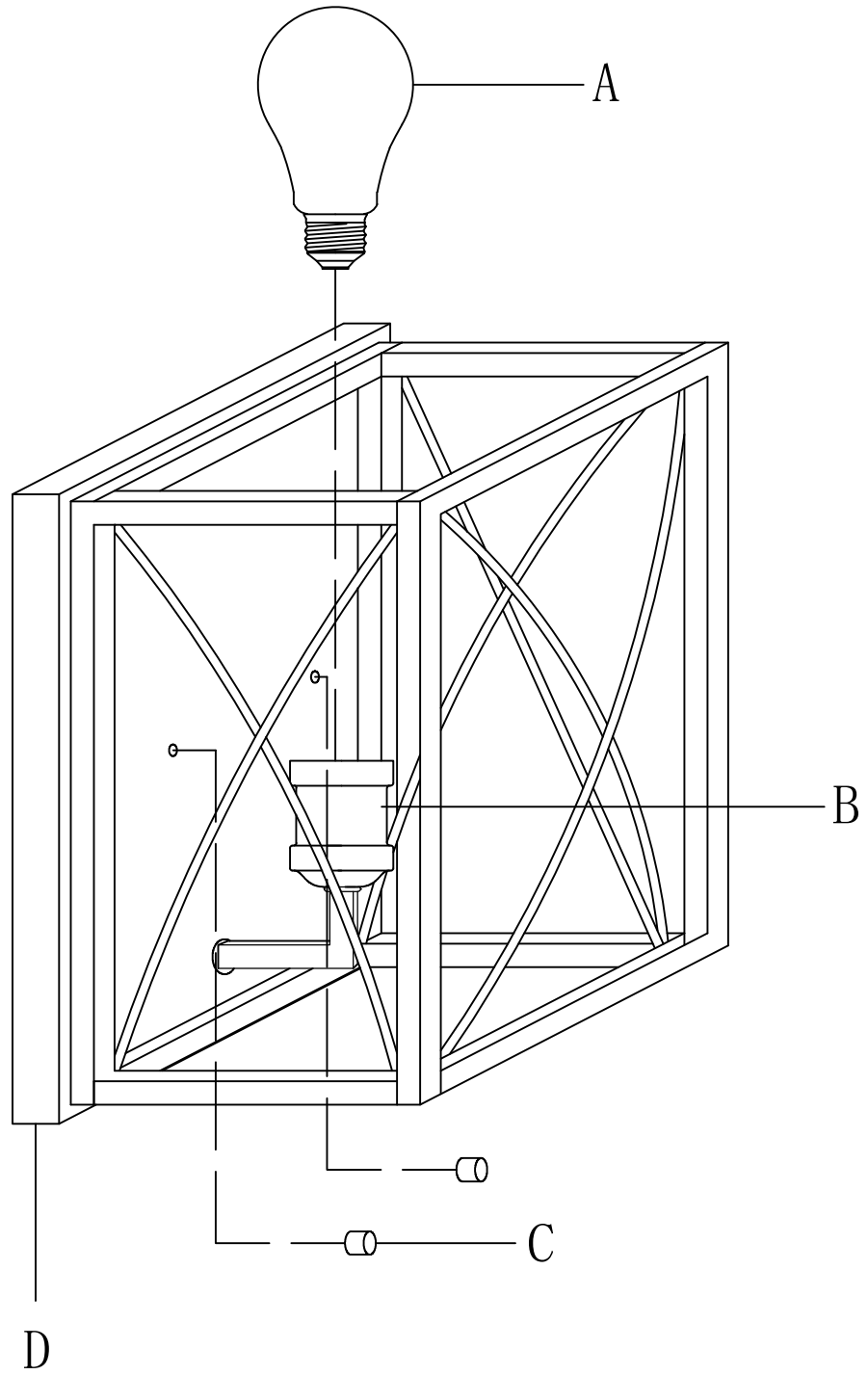




# Assembly Drawing For **9-4203-1-164**



A — B  
C — D