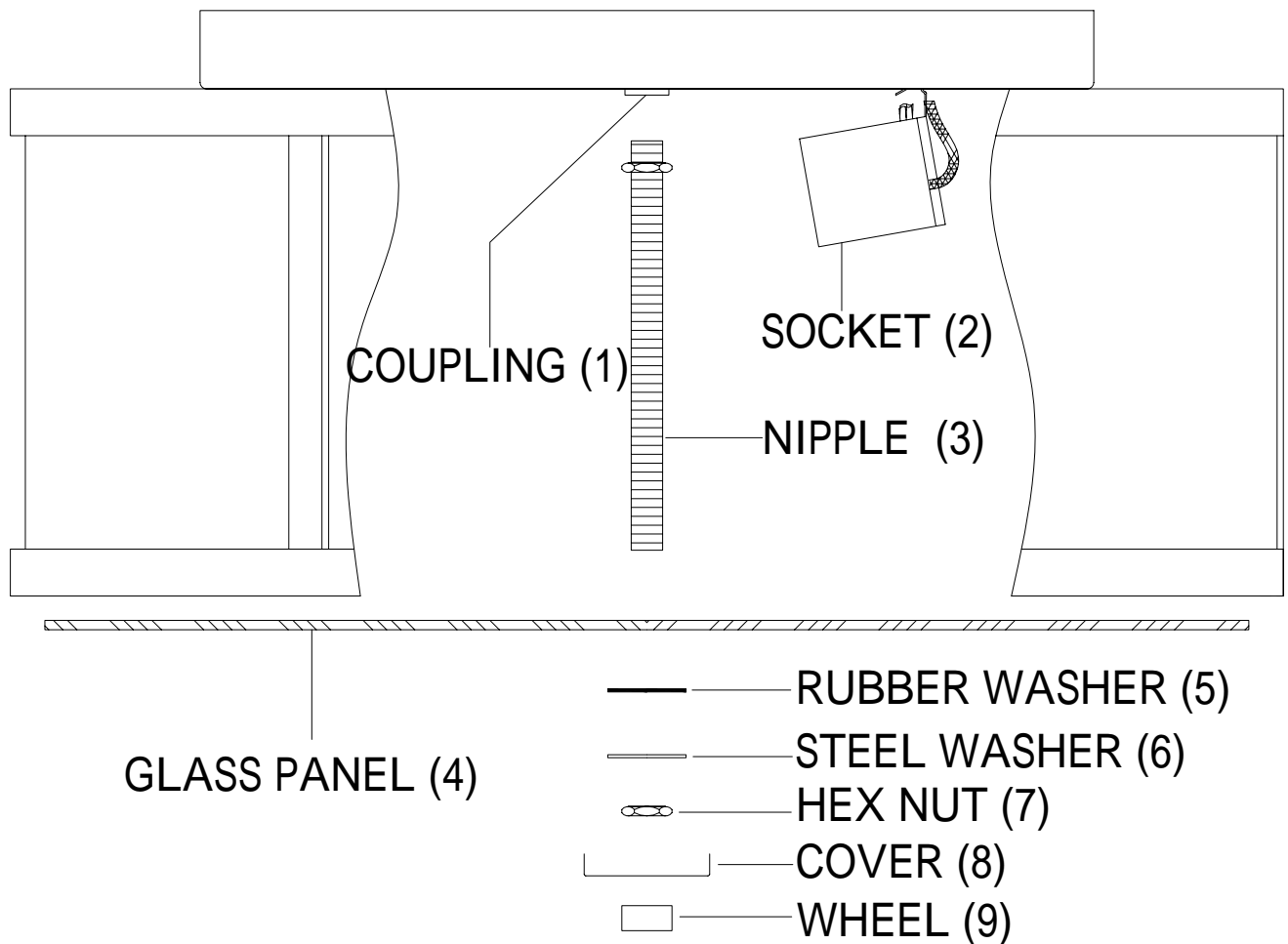




LIGHTING

ITEM NO: 6-2706-3-109
6-2706-3-322
6-2706-3-44



INSTALLATION INSTRUCTIONS

1. Carefully remove the fixture out of the carton, and check that all parts are included referring to the above illustration. Make sure not to misplace any parts that are needed for the installation;
2. Install the nipple (3) into coupling (1), then secure them with nipple (3).
3. Install the glass panel (4), rubber washer (5) and steel washer (6) onto nipple (3), then secure them with hex nut (7).
4. Install the cover (8) onto nipple (3), then secure them with wheel (9).
5. Fixture is ready for lamping and installation.