

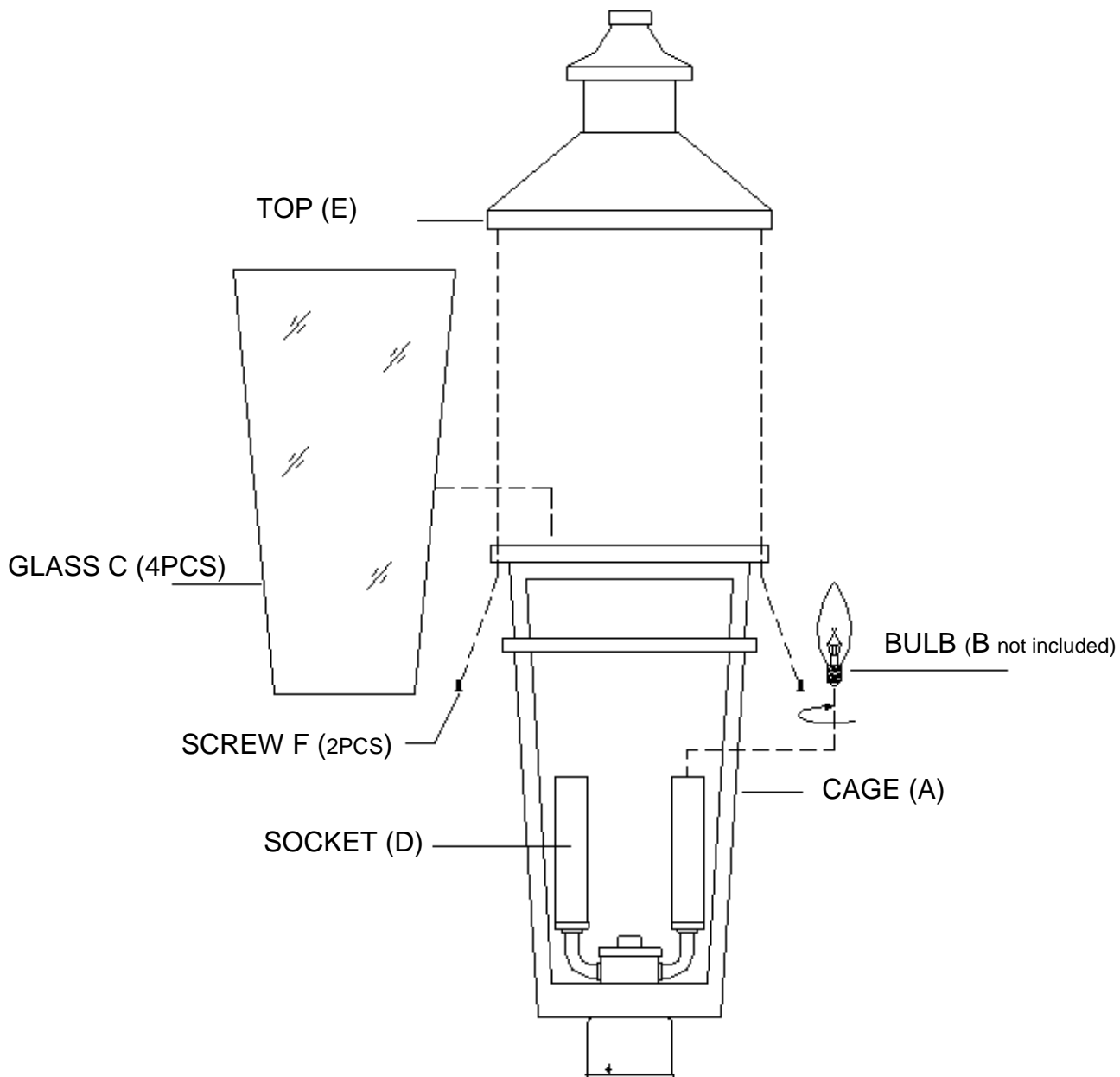


SAVOY  
HOUSE

ITEM NO : 5-714

5-715

5-716



### ASSEMBLY INSTRUCTIONS:

1. Carefully unpack and identify all parts referring to illustration for parts identification.
2. Turn the power to the installation point OFF.
3. Slide the glass (C) into the provided channels on the cage (A) and secure them with the glass clips.
4. Install proper bulbs (not included) into each socket referring to the markings and/or labels on the fixture for maximum wattage.
5. Assemble the top (E) onto the cage (A) using the screws (F).
6. Refer to the additional installation instructions included with the product for wiring and installation.
7. Restore power to the installation point and retain this sheet for future reference.