



ASSEMBLY AND INSTALLATION

INSTRUCTION

Please read carefully and save this instruction, as you may need them at a later date.

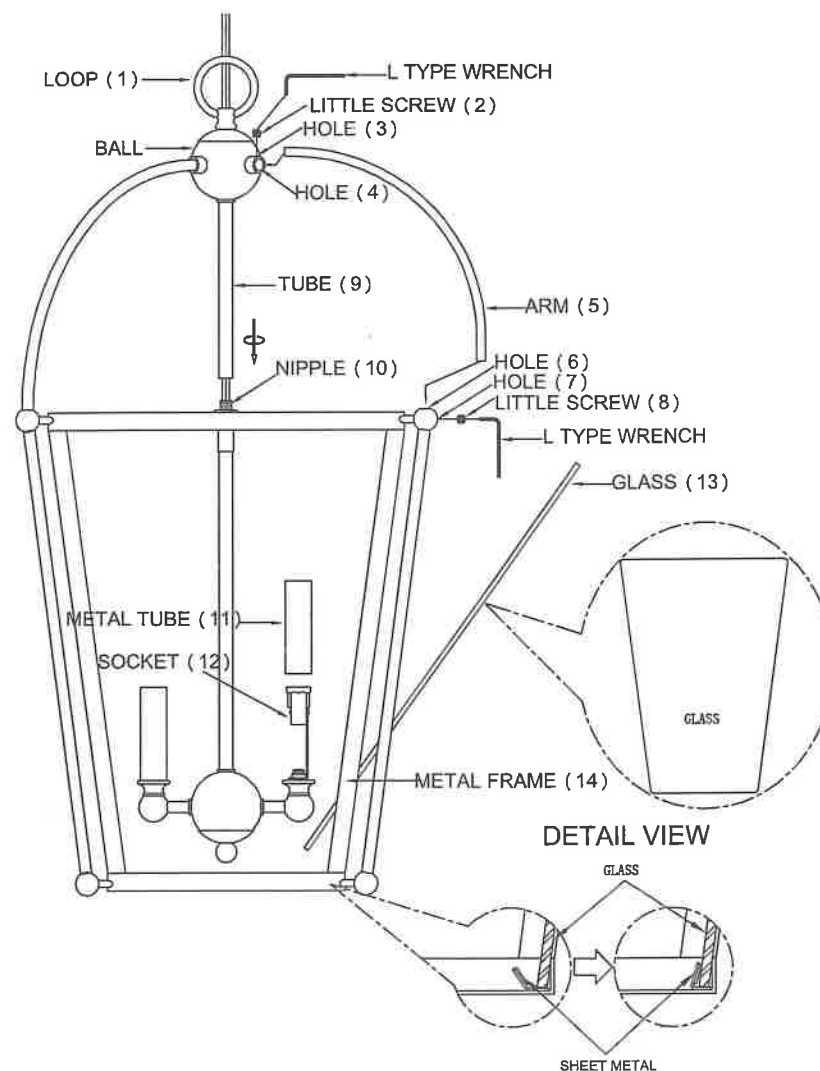
CAUTION

Turn off the main power at the circuit breaker before installing the fixture, in order to prevent possible shock. If you are unfamiliar with proper electrical wiring connections, please consult of a qualified electrician before installing

Installing Step:

Remove the fixture and the mounting package from the box and make sure that no parts missing in the box.

1. Thread the Tube (9) onto the Nipple (10) tightly, thread the Loop (1) onto the Ball tightly.
2. Put the Arm (5) into the Hole (4), then use the L type Wrench to thread the Little Screw (2) into the Hole (3) tightly, on the other side of the Arm (5) ,put it into the Hole (6), then use the L type Wrench to thread the Little Screw (8) into the Hole (7) tightly .
3. Put the Metal tube (11) onto the Socket (12) .
4. Install bulbs: (Bulbs not including in the package)
(Please don't exceed the maximum capacity that recommended on the Sockets)
5. Put the Glass (13) onto the Metal Frame (14) , then close the Sheet Metal, like the "DETAIL VIEW ".



3-9074-4-67 / 79

INSTALLATION IS NOW COMPLETED.