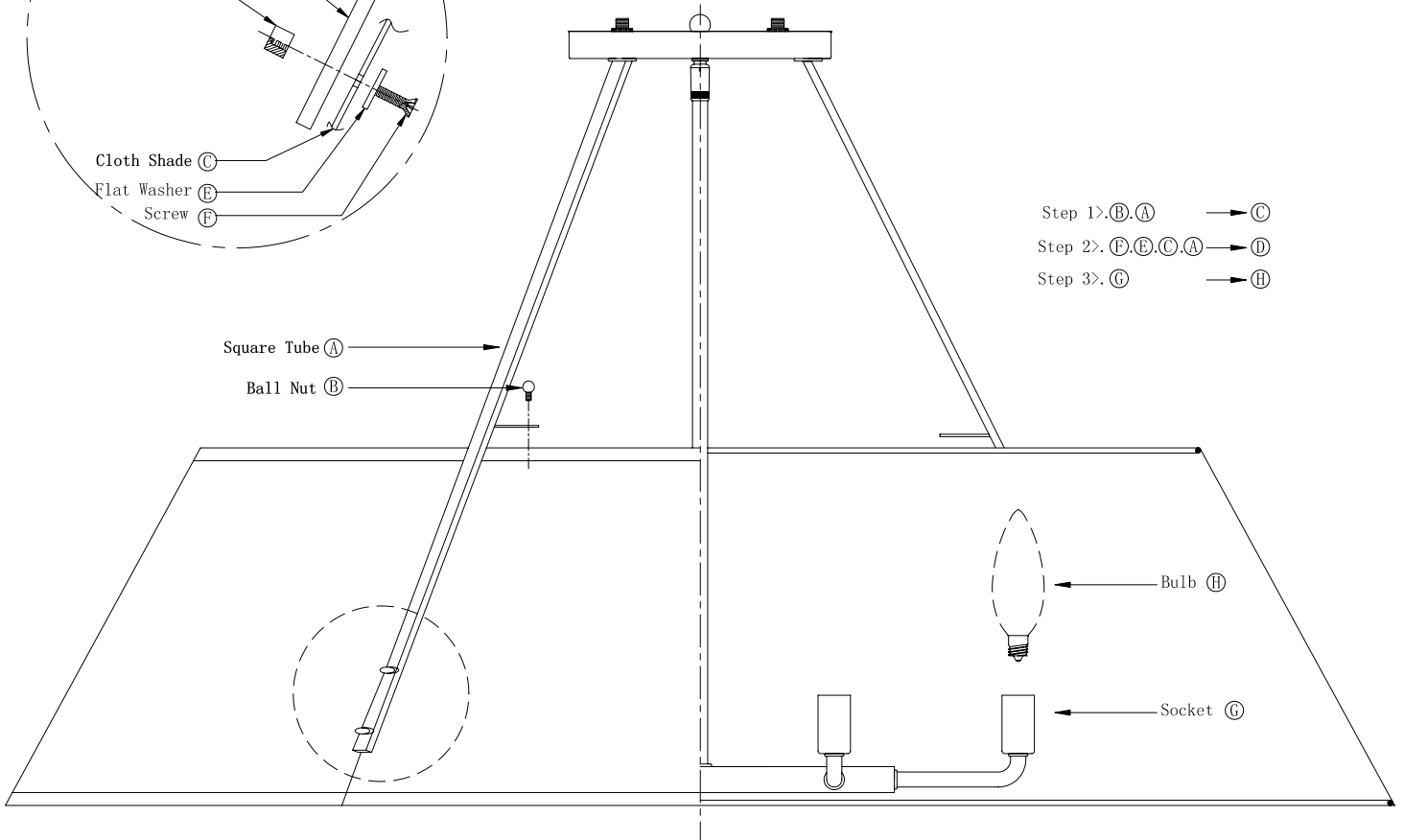


- Step 1>. (B), (A) → (C)
- Step 2>. (F), (E), (C), (A) → (D)
- Step 3>. (C) → (H)



1-2520-6