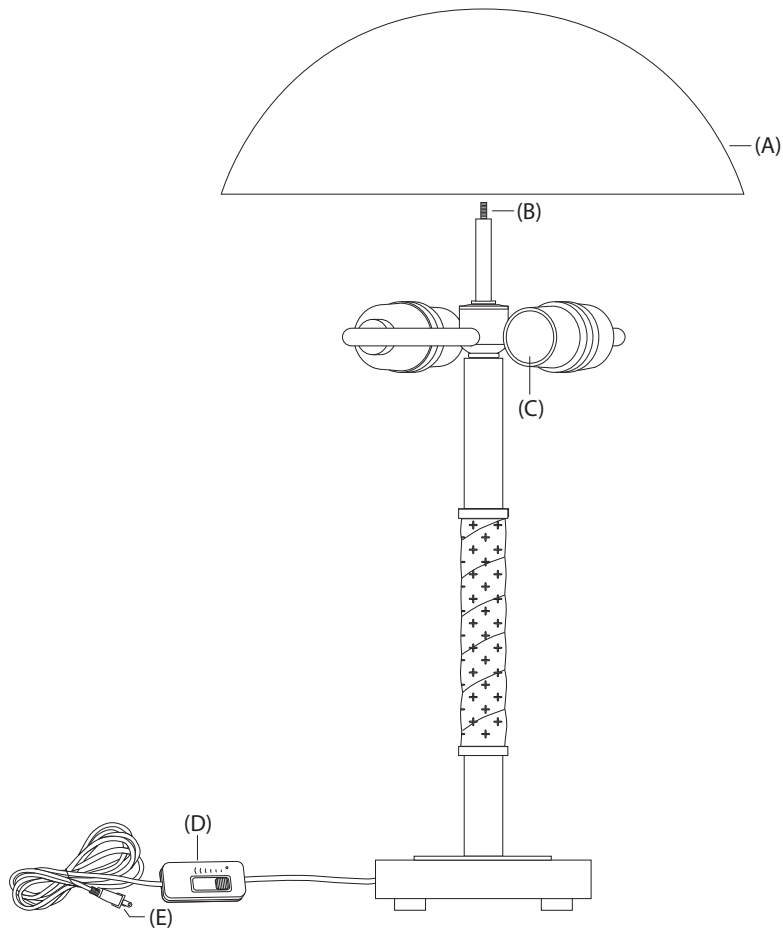


ASSEMBLY INSTRUCTIONS FOR YOUR
Jonathan Adler
GENEVA TABLE LAMP



IMPORTANT SAFETY INSTRUCTIONS:

- * This lamp has a polarized plug (one blade is wider than the other) as a feature to reduce the risk of electric shock. This plug will fit in a polarized outlet only one way. If it does not fit fully in the outlet, reverse the plug. If it still does not fit, contact a qualified electrician. Do NOT alter the plug.
- * Do not use with an extension cord unless the plug from the lamp can be fully inserted into the extension cord receptical.
- * Switch power off and remove plug from the wall outlet before replacing the bulb.
- * Do not connect electricity until lamp is fully assembled.
- * This lamp is UL rated for dry locations.

ASSEMBLY INSTRUCTIONS:

Note: Do not connect electricity until lamp is fully assembled.

1. Unpack all parts and remove packing materials. Place lamp base on level surface.
2. Thread shade (A) onto threaded tube (B).
3. Install two 100W max. Type A, medium base bulbs into the sockets (C).
4. Remove protective plastic from plug (E).
5. Insert plug (E) into wall outlet.
6. Control power to lamp by using full range dimmer (D) on cord.

**** To clean, use a soft cloth only. Do not use any chemical or abrasive cleaners. ****