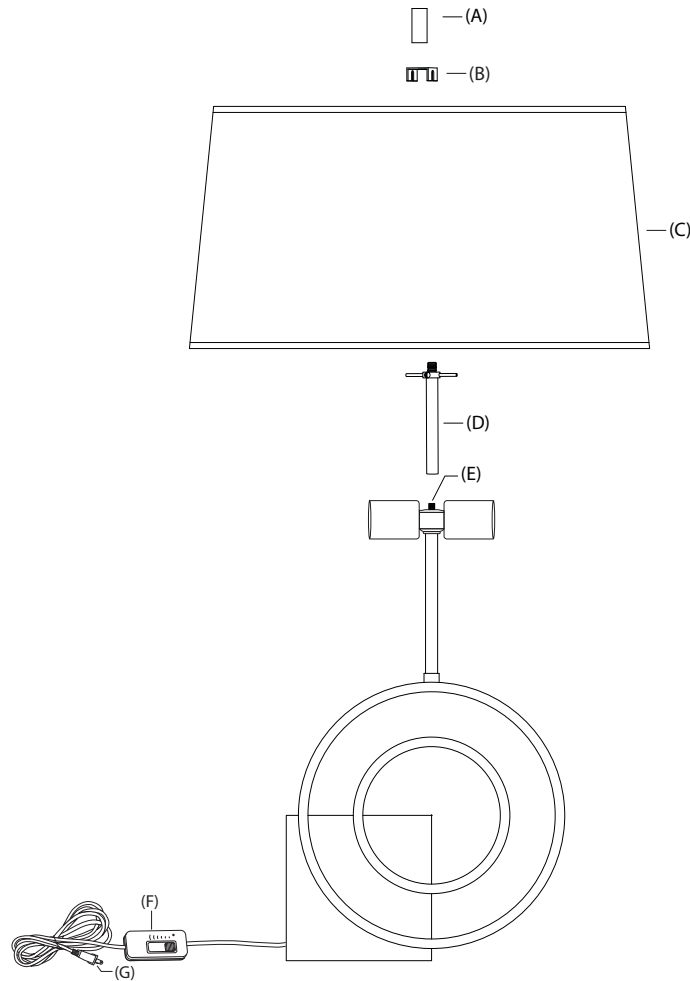


ASSEMBLY INSTRUCTIONS FOR YOUR  
**Jonathan Adler**  
SATURN TABLE LAMP



**IMPORTANT SAFETY INSTRUCTIONS:**

- \* This lamp has a polarized plug (one blade is wider than the other) as a feature to reduce the risk of electric shock. This plug will fit in a polarized outlet only one way. If it does not fit fully in the outlet, reverse the plug. If it still does not fit, contact a qualified electrician. Do NOT alter the plug.
- \* Do not use with an extension cord unless the plug from the lamp can be fully inserted into the extension cord receptical.
- \* Switch power off and remove plug from the wall outlet before replacing the bulb.
- \* Do not connect electricity until lamp is fully assembled.
- \* This lamp is UL rated for dry locations.

**ASSEMBLY INSTRUCTIONS:**

NOTE: Do not connect electricity until lamp is fully assembled.

1. Unpack all parts and remove packing materials.
2. Remove finial (A) from shade riser (D). Thread shade riser (D) onto socket housing (E).
3. Place shade (C) onto shade riser (D). Place shade lock (B) onto shade riser (D). Note: shade lock (B) should be turned so cutouts fit over alignment arms located at the top of shade riser (D).
4. Thread finial (A) back onto shade riser (D) to secure placement of shade.
5. Insert (2) 100W Max. Type A, medium base bulbs into the sockets.
6. Insert polarized plug (G) into wall outlet.
7. Control power to lamp by operating full range dimmer (F).

**\*\* To clean, use a soft cloth only. Do not use any chemical or abrasive cleaners. \*\***