

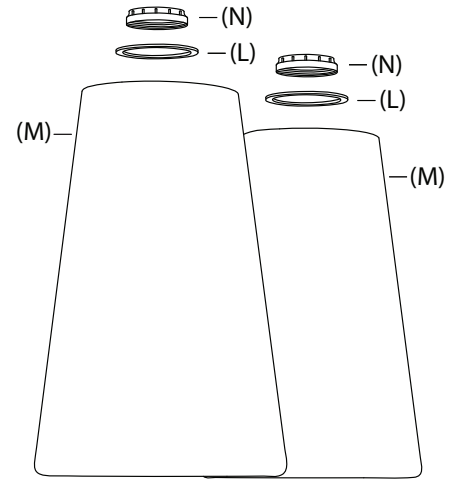
ASSEMBLY INSTRUCTIONS FOR YOUR **Jonathan Adler** MEURICE DOUBLE WALL SCONCE

IMPORTANT SAFETY INSTRUCTIONS:

- * These instructions are provided for your safety. It's important that all safety instructions are read before beginning installation of fixture.
- * We **STRONGLY** recommend installation by a licensed electrician.
- * Turn off power at switch before replacing bulbs, making sure the lamp has sufficient time to cool down.
- * Do not connect the electricity until lamp is fully assembled.
- * This fixture is UL rated for damp locations with glass shade and **DRY LOCATION ONLY** with fabric shade.

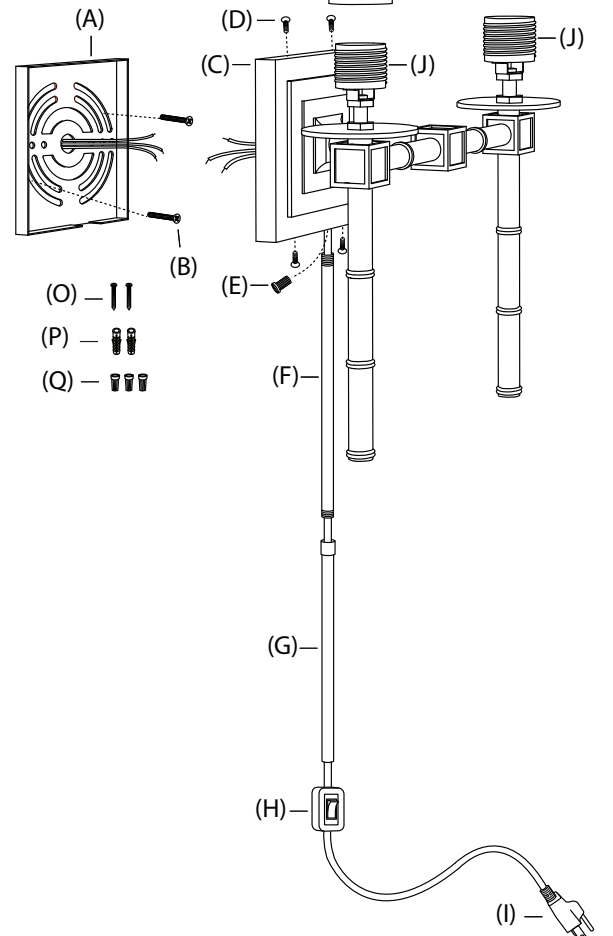
CORD COVER ASSEMBLY INSTRUCTIONS:

1. Remove mounting plate (A) from backplate (C) by removing screws (D).
2. Determine desired location for light fixture on wall. Hold mounting plate (A) in a level position against the wall. Using a pencil, mark the location of the mounting holes in mounting plate (A) on the wall.
3. Drill small holes at marked locations on the wall. Holes should be sized so they accommodate wall anchors (P), provided. Insert wall anchors (P) into drilled holes.
4. Affix mounting plate (A) to the wall by threading mounting screws (O) through holes in mounting plate (A) and into wall anchors (P).
5. Slide backplate (C) over mounting plate (A). Thread screws (D) back into holes at the top and bottom of backplate (C) to secure fixture to the mounting plate (A).
6. Thread cord cover (F) into the bottom of the backplate (C). Thread cord cover (G) onto cord cover (F).
7. Remove flange (N) and one plastic washer (L) from threaded socket (J). Socket cover (K) and one plastic washer (L) will remain on threaded socket (J).
8. Carefully slide shade (M) down socket to rest on plastic washer (L) and socket cover (K). To secure shade (M) to fixture, slide second plastic washer (L) over threaded socket (J) and thread flange (N) onto socket until hand tight.
9. Insert one Type A, Medium base 60W MAX incandescent bulb (LED equivalent recommended) into threaded socket (J).
10. Insert three prong plug (I) into wall outlet. Control power by using switch (H) on cord.



DIRECT WIRE ASSEMBLY INSTRUCTIONS:

1. **SHUT OFF MAIN ELECTRICAL SUPPLY FROM THE MAIN FUSE BOX/CIRCUIT BREAKER. IT IS RECOMMENDED THAT A LICENSED ELECTRICIAN INSTALL THIS FIXTURE.**
2. Remove mounting plate (A) from backplate (C) by removing screws (D).
3. Remove electrical connection from cord (I) from inside backplate (C). Pull cord (I) from cord exit located at the bottom of backplate (C).
4. Thread plug (E) into the hole located in the bottom of backplate (C).
5. Carefully pull the wiring from wall outlet box. Push the wires through the center hole in mounting plate (A).
6. Affix mounting plate (A) to wall outlet box with mounting screws (B) provided.
7. Lift fixture to mounting plate and make proper electrical connections described in steps 8 - 10. **A LICENSED ELECTRICIAN IS RECOMMENDED.**
8. Connect ground (green or silver in color) wire from fixture to ground wire in the outlet box. Fasten wires together with wire nut (Q) and tightly wrap the connection with electrical tape.
9. Attach hot wire from fixture (black in color or smooth side of wire) to hot wire from outlet box. Fasten wires together with wire nut (Q) and tightly wrap connection with electrical tape.
10. Attach neutral wire from fixture (white in color or ribbed side of wire) to neutral wire from outlet box. Fasten wires together with wire nut (Q) and tightly wrap connection with electrical tape.
11. Carefully push wire connections against mounting plate (A) or into outlet box if possible. Slide backplate (C) over mounting plate (A).
12. Thread screws (D) into holes at the top and bottom of backplate (C) to secure the fixture to mounting plate (A).
13. Remove flange (N) and one plastic washer (L) from threaded socket (J). Socket cover (K) and one plastic washer (L) will remain on threaded socket (J).
14. Carefully slide shade (M) down threaded socket (J) to rest on plastic washer (L) and socket cover (K). To secure shade (M) to fixture, slide second plastic washer (L) over threaded socket (J) and thread flange (N) onto socket until hand tight.
15. Insert one Type A, Medium base 60W MAX incandescent bulb (LED equivalent recommended) into threaded socket (J).
16. Turn on power from the main electrical supply at the fuse box/circuit breaker. Control the fixture by the wall switch.



To clean, use soft cloth only. Do not use any chemical or abrasive cleaners.