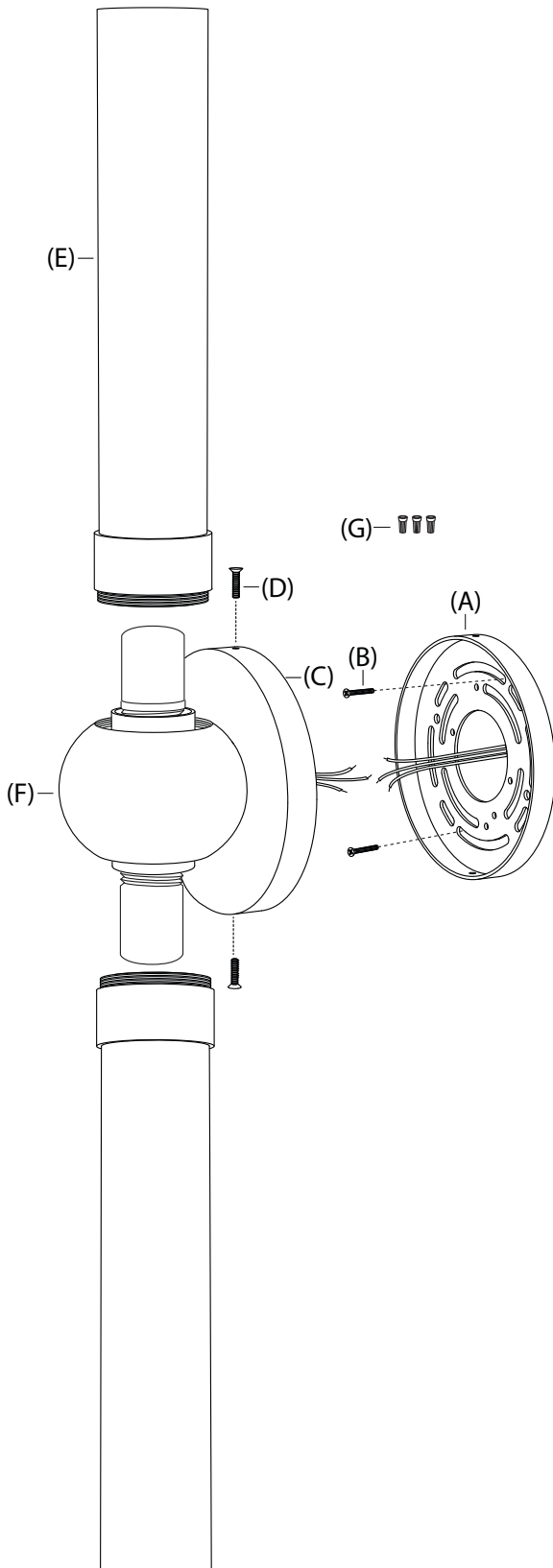


## ASSEMBLY INSTRUCTIONS FOR YOUR DAPHNE WALL SCONCE



### IMPORTANT SAFETY INSTRUCTIONS:

- \* These instructions are provided for your safety.
- \* It is very important that they are read completely before beginning the installation of your fixture.
- \* WE STRONGLY RECOMMEND INSTALLATION BY A LICENSED ELECTRICIAN.
- \* Fixture is UL rated for damp locations.

**NOTE:** This lamp comes with two non-replaceable solid state LEDs installed.

### DIMMER WARNING:

If any special control devices are used with this fixture, follow the instructions carefully to assure compliance with N.E.C. requirements. If there are any questions, contact a qualified electrical contractor.

### VERTICAL MOUNTING

#### ASSEMBLY INSTRUCTIONS:

1. SHUT OFF MAIN ELECTRICAL SUPPLY FROM THE MAIN FUSE BOX/CIRCUIT BREAKER. IT IS RECOMMENDED THAT A LICENSED ELECTRICIAN INSTALL THIS FIXTURE.
2. Remove glass shades (E) by unscrewing from hub (F) by holding the metal flange of shade (E) and rotating in a counter-clockwise direction. Do not remove shade (E) by rotating the glass part of the cylinder.
3. Remove mounting plate (A) from backplate (C) by removing screws (D). Set screws (D) aside.
4. Carefully pull the wiring from wall outlet box. Thread wires through the center hole in mounting plate (A).
5. Affix mounting plate (A) to wall outlet box with mounting screws (B) provided.
6. Lift fixture to mounting plate and make proper electrical connections described in steps 7 - 9. A LICENSED ELECTRICIAN IS RECOMMENDED.
7. Connect ground (green or silver in color) wire from fixture to ground wire in the outlet box. Fasten wires together with wire nut (G) and tightly wrap the connection with electrical tape.
8. Attach hot wire from fixture (black in color or smooth side of wire) to hot wire from outlet box. Fasten wires together with wire nut (G) and tightly wrap connection with electrical tape.
9. Attach neutral wire from fixture (white in color or ribbed side of wire) to neutral wire from outlet box. Fasten wires together with wire nut (G) and tightly wrap connection with electrical tape.
10. Carefully push wire connections back into wall outlet box. Slide backplate (C) over mounting plate (A).
11. Thread screws (D) into holes at the top and bottom of backplate (C) to secure the fixture to the mounting surface.
12. Thread glass shades back into hub (F).
13. Reconnect main electrical supply at the fuse box/ circuit breaker and test the fixture.

### HORIZONTAL MOUNTING

1. Follow steps 1-3 from above.
2. In steps 4-5, make sure to orient hub (F) so that LED bulbs point to the left and right instead of up and down.
3. Follow steps 6-7 from above.