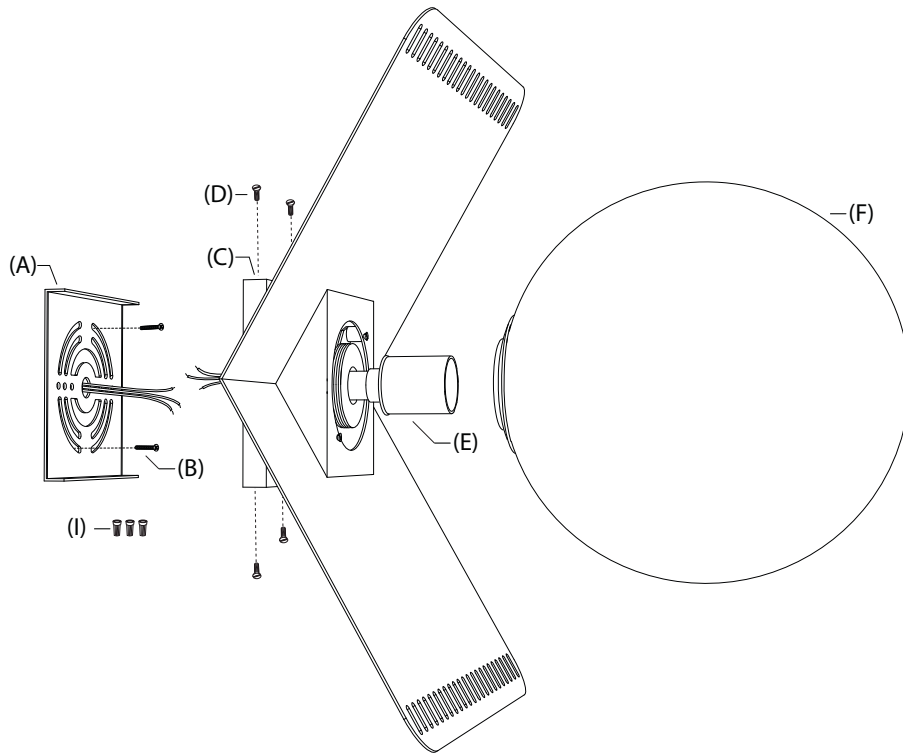


ASSEMBLY INSTRUCTIONS FOR YOUR **Jonathan Adler** RIO GLOBE WALL SCONCE



IMPORTANT SAFETY INSTRUCTIONS:

- * These instructions are provided for your safety. It's important that all safety instructions are read before beginning installation of fixture.
- * We **STRONGLY** recommend installation by a licensed electrician.
- * Turn off power at switch before replacing bulbs, making sure fixture has had sufficient time to cool down.
- * Do not connect the electricity until lamp is fully assembled.
- * This fixture is UL rated for damp locations.

ASSEMBLY INSTRUCTIONS:

1. SHUT OFF MAIN ELECTRICAL SUPPLY FROM THE MAIN FUSE BOX/CIRCUIT BREAKER. IT IS RECOMMENDED THAT A LICENSED ELECTRICIAN INSTALL THIS FIXTURE.
2. Remove mounting plate (A) from backplate (C) by removing screws (D). Set screws (D) aside.
3. Carefully pull the wiring from wall outlet box. Thread wires through the center hole in mounting plate (A).
4. Affix mounting plate (A) to wall outlet box with mounting screws (B) provided.
5. Lift fixture to mounting plate and make proper electrical connections described in steps 6 - 8. A LICENSED ELECTRICIAN IS RECOMMENDED.
6. Connect ground (green or silver in color) wire from fixture to ground wire in the outlet box. Fasten wires together with wire nut (I) and tightly wrap the connection with electrical tape.
7. Attach hot wire from fixture (black in color or smooth side of wire) to hot wire from outlet box. Fasten wires together with wire nut (I) and tightly wrap connection with electrical tape.
8. Attach neutral wire from fixture (white in color or ribbed side of wire) to neutral wire from outlet box. Fasten wires together with wire nut (I) and tightly wrap connection with electrical tape.
9. Carefully push wire connections back into wall outlet box. Slide backplate (C) over mounting plate (A).
10. Thread screws (D) into holes at the top and bottom of backplate (C) to secure the fixture to the mounting surface.
11. Insert one 60W MAX. Type A, Edison base bulbs into the socket (E).
12. Thread glass shade into hub (F).
13. Reconnect main electrical supply at the fuse box/ circuit breaker and test the fixture.

* To clean, use a soft dry cloth. Do not use any chemical or abrasive cleaners as they may damage the finish. *