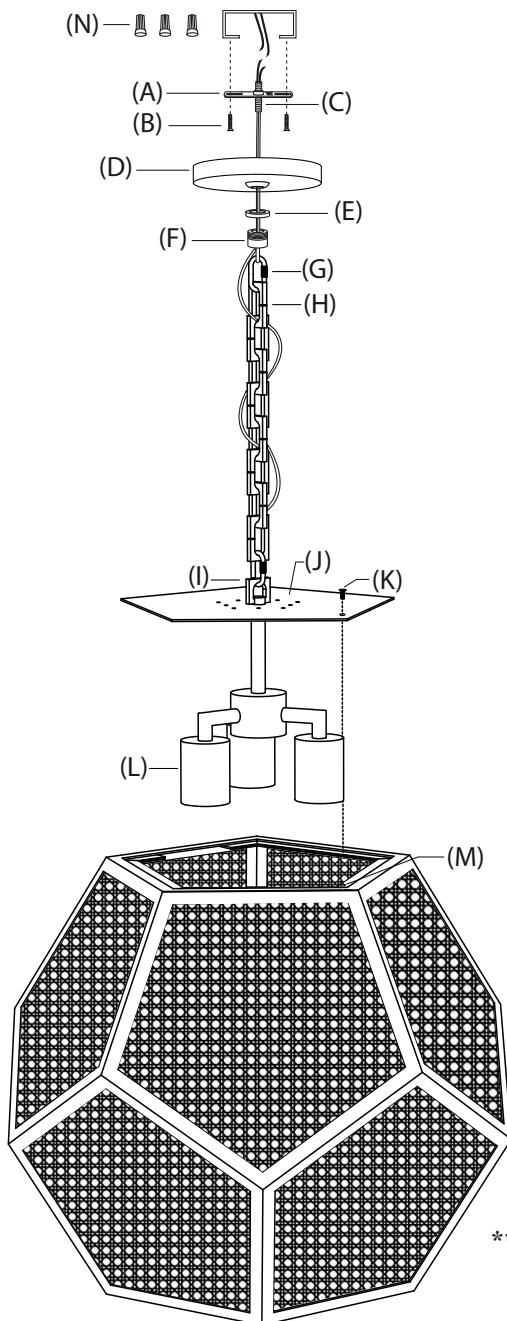


## ASSEMBLY INSTRUCTIONS FOR YOUR **Jonathan Adler** BELLPORT PENDANT

### IMPORTANT SAFETY INSTRUCTIONS:

- \*These instructions are provided for your safety. It is very important that they are read completely before beginning the installation of your fixture.
- \*Turn off power at switch before replacing bulbs, making sure fixture has had sufficient time to cool down.
- \*If any special control devices are used with this fixture, follow the instructions carefully to assure full compliance with N.E.C. requirements. If there are any questions, contact a qualified electrical contractor.
- \*WE STRONGLY RECOMMEND INSTALLATION BY A LICENSED ELECTRICIAN.
- \*This fixture is UL rated for dry locations.



### ASSEMBLY INSTRUCTIONS:

1. SHUT OFF THE MAIN ELECTRICAL SUPPLY AT FUSE BOX/ CIRCUIT BREAKER.
2. Remove all parts from carton. Do not throw away any parts.
3. Remove cross bar (A) (with threaded tube (C) and hang straight (F) attached) from canopy (D). Do this by unthreading collar (E) from hang straight (F). Canopy (D) will slip over hang straight (F). Set the canopy (D) and collar (E) aside.
4. Affix cross bar (A) (with threaded tube (C) and hang straight (F) attached) to ceiling outlet box using mounting screws (B) provided.
5. Measure the desired drop for the fixture to hang from ceiling. If necessary, remove links from chain (H) with chain break tool (not included) to achieve the desired drop.
6. Thread chain (H) through the center of collar (E) and then through canopy (D). Move the collar down the length of the chain so it rests on loop (I). Slide canopy (D) over chain (H) so it rests on collar (E).
7. Lift fixture to the ceiling outlet box and secure quick link (G) to hang straight (F).
8. Guide the wires exiting fixture through the center of collar (E) and canopy (D). Continue to guide the wires through the links of chain (H), through the center of hang straight (F) and up through the center of threaded tube (C).
9. Cut the cord to the desired length to make electrical connections. Note: at least 8 inches of wire will be needed for proper connections. Make proper electrical connections described in steps 10-12. A LICENSED ELECTRICIAN IS RECOMMENDED.
10. Attach ground wire from fixture (green or silver in color) to ground wire from outlet box. Fasten wires together with wire nut (N) and tightly wrap connection with electrical tape.
11. Attach hot wire from fixture (black in color or smooth side of wire) to hot wire from outlet box. Fasten wires together with wire nut (N) and tightly wrap connection with electrical tape.
12. Attach neutral wire from fixture (white in color or ribbed side of wire) to neutral wire from outlet box. Fasten wires together with wire nut (N) and tightly wrap connection with electrical tape.
13. Carefully push wire connections back into ceiling outlet box.
14. Slide canopy (D) up chain (H) and hold flush against ceiling. To secure position of canopy (D), slide collar (E) up the chain and thread it onto hang straight (F). Turn until hand tight.
15. Install three 75W max. Type A, medium base LED bulbs into the sockets (L).
16. Remove screw (K) from top of shade (M). Lift shade (M) over sockets and up to cover (J). Note: Make sure to fit notch on cover (J) into cut out in the top of shade (M). Secure shade to fixture by threading screw (K) back in place until hand tight.
17. Reconnect main electrical supply from the fuse box/ circuit breaker and test the fixture.

**\*\* To clean, use a soft cloth only. Do not use any chemical or abrasive cleaners. \*\***