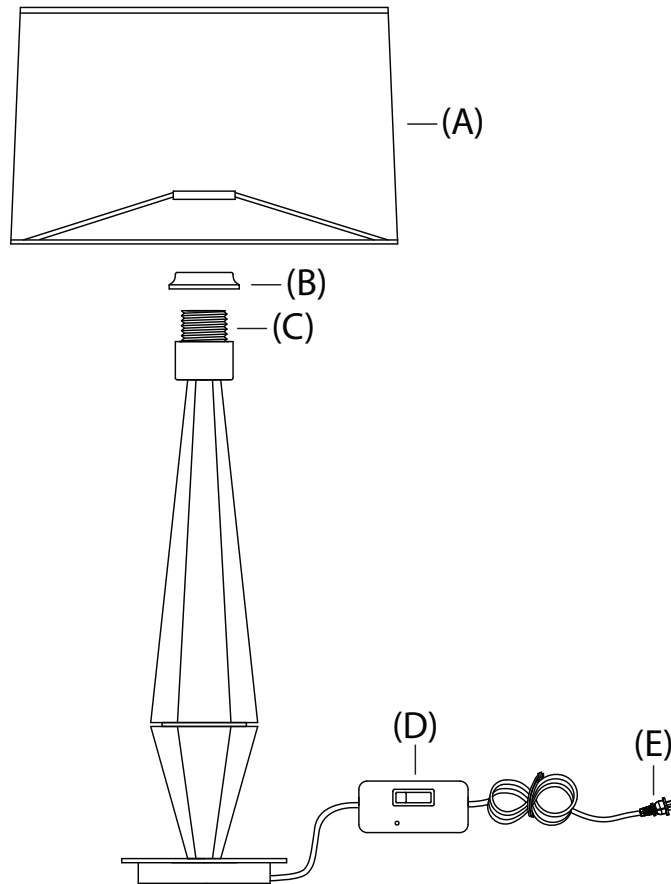


ASSEMBLY INSTRUCTIONS FOR YOUR WHEATLEY ACCENT LAMP



IMPORTANT SAFETY INSTRUCTIONS:

- * This lamp has a polarized plug (one blade is wider than the other) as a feature to reduce the risk of electric shock. This plug will fit in a polarized outlet only one way. If it does not fit fully in the outlet, reverse the plug. If it still does not fit, contact a qualified electrician. Do NOT alter the plug.
- * Do not use with an extension cord unless the plug from the lamp can be fully inserted into the extension cord receptical.
- * Switch power off and remove plug from the wall outlet before replacing the bulb.
- * This lamp is UL rated for dry locations.

ASSEMBLY INSTRUCTIONS:

NOTE: Do not connect electricity until lamp is fully assembled.

1. Remove lamp parts from packaging. Do not throw away any parts.
2. Place lamp base on level surface.
3. Remove flange (B) from socket (C).
4. Place shade (A) onto threaded socket (C).
5. Thread flange (B) back onto socket (C) to secure shade to fixture.
6. Install one 100W Max. Type A, medium base bulb into the socket (C).
7. Remove protective plastic from polarized plug (E). Insert polarized plug (E) into wall outlet.
8. Control power to fixture by using dimmer switch (D).

* To clean, use a soft cloth only. Do not use any chemical or abrasive cleaners.*