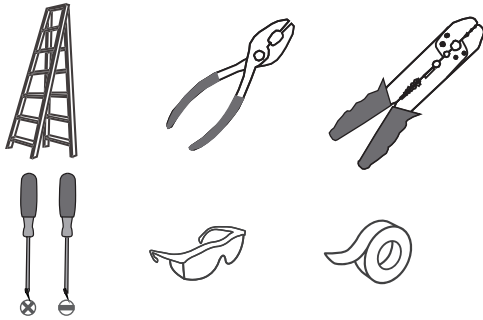


**Tools Required**



**Light Source**

30W  
**LED**

**Warnings and Cautions**

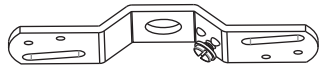
Turn off the electricity at the circuit breaker before installation. Consult a licensed electrician if in doubt about installation.

**Package Contents**

**Preparation:** Identify and inspect all parts before beginning the installation.

Missing or damaged parts? Contact your original place of purchase.

**PARTS BAG**



**A** Crossbar  
x 1



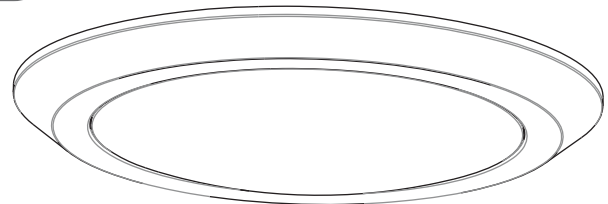
**C** Outlet Box Screw  
x 2



**B** Mounting Screw  
x 2



**D** Wire Connector  
x 3

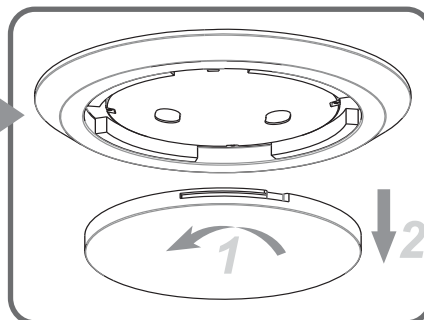
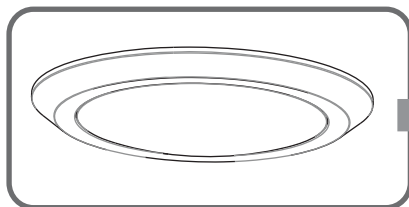


**E** Fixture Body  
x 1

**Table of Contents**

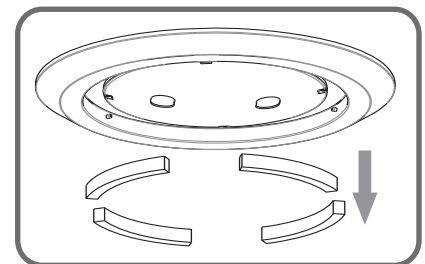
Remove Sponge Strips	Inner Backplate	Lanyard	Wiring	Fixture Body	Shade
<b>STEP 1</b>	<b>STEP 2</b>	<b>STEP 3</b>	<b>STEP 4</b>	<b>STEP 5</b>	<b>STEP 6</b>

**STEP 1**



**1** Remove shade

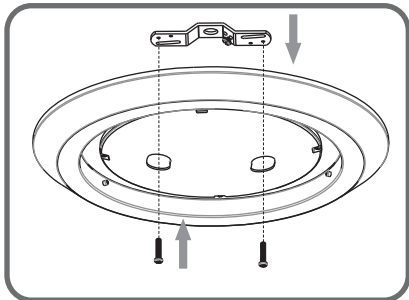
**2** Remove sponge strips



## STEP 2

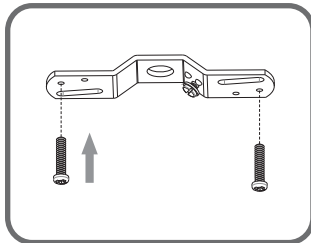
1

Determine mounting holes for mounting screws



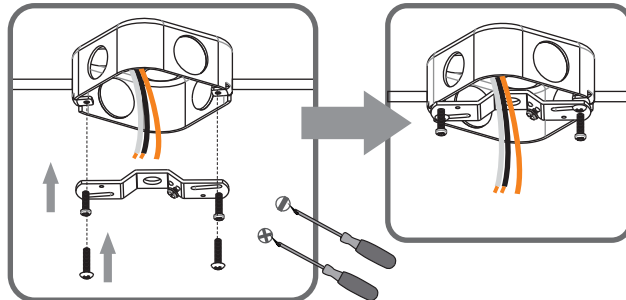
2

Install mounting screws

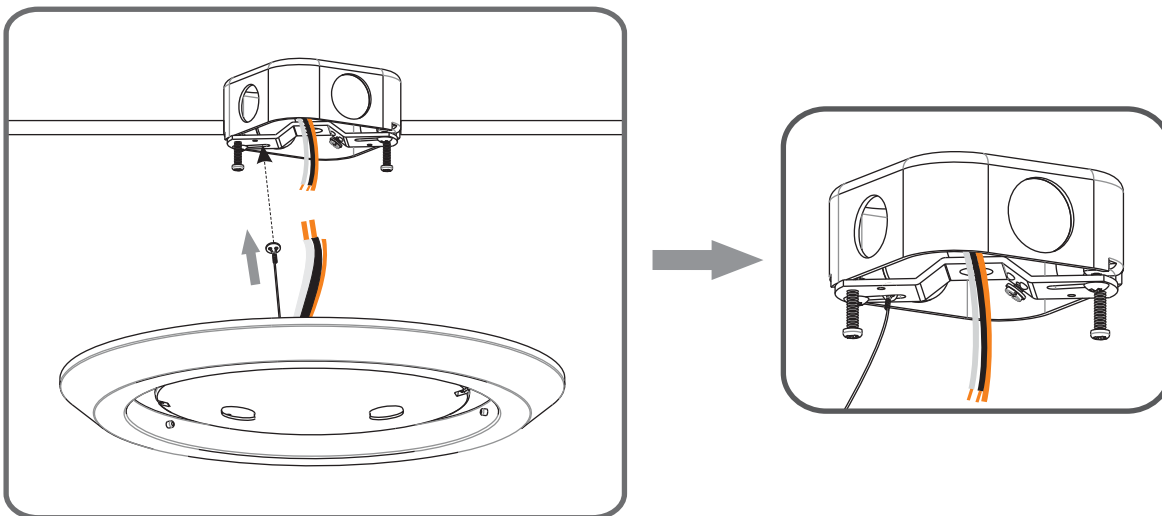


3

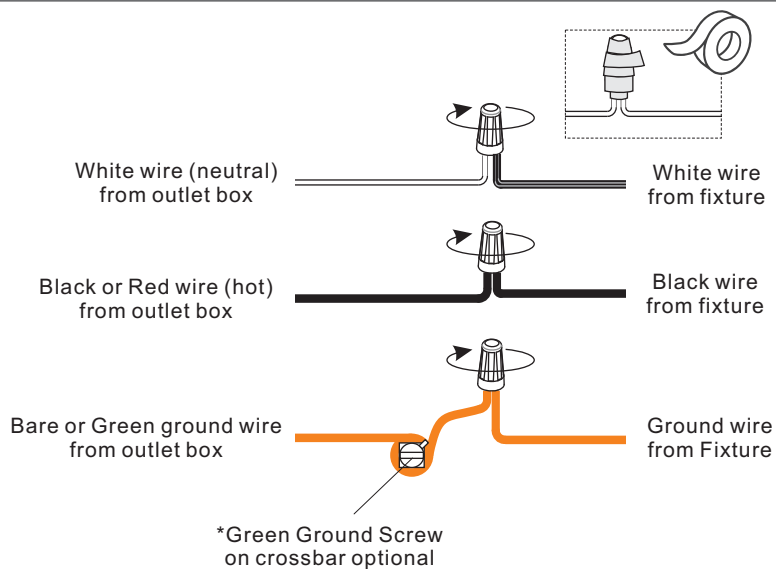
Install Crossbar



## STEP 3



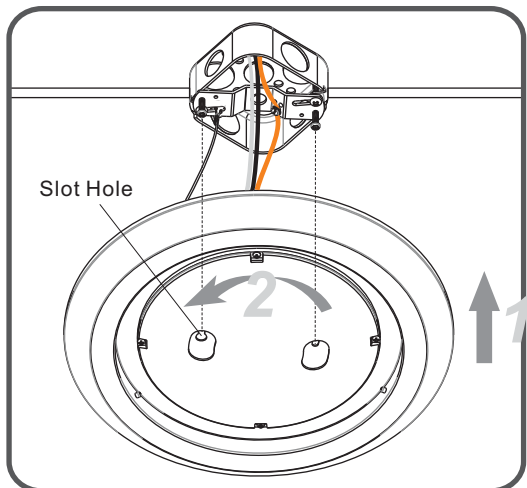
## STEP 4



**STEP 5**

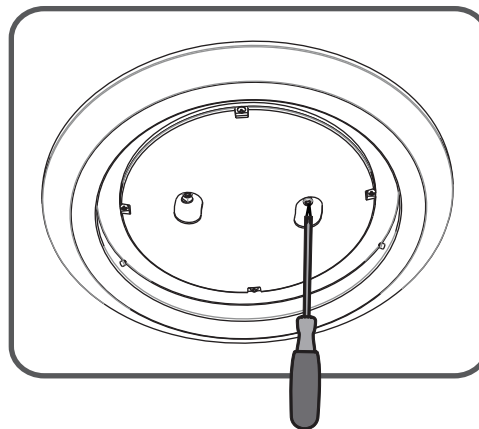
**1**

Fit slot holes to mounting screws



**2**

Tighten mounting screws



**STEP 6**

