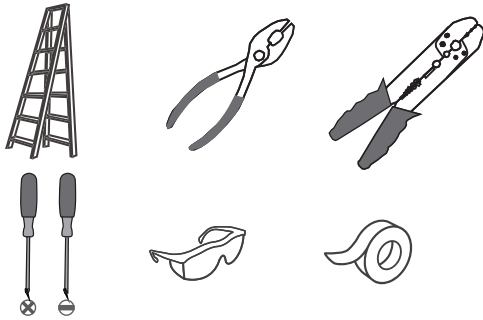


Tools Required



Light Source

31W
LED

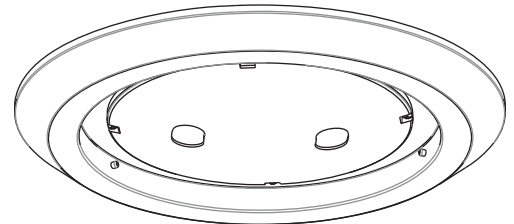
Warnings and Cautions

Turn off the electricity at the circuit breaker before installation. Consult a licensed electrician if in doubt about installation.

Package Contents

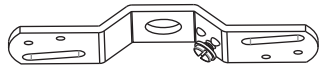
Preparation: Identify and inspect all parts before beginning the installation.

Missing or damaged parts? Contact your original place of purchase.



E Fixture Body
x 1

PARTS BAG



A Crossbar
x 1



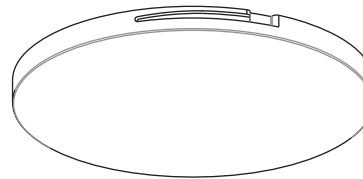
C Outlet Box Screw
x 2



B Mounting Screw
x 2



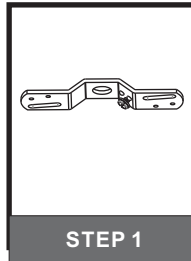
D Wire Connector
x 3



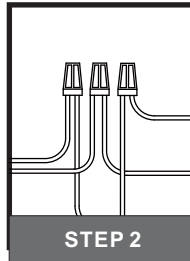
F Shade
x 1

Table of Contents

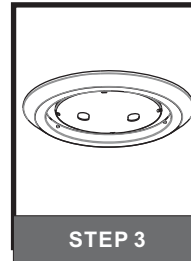
Inner Backplate



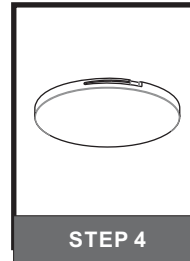
Wiring



Fixture Body



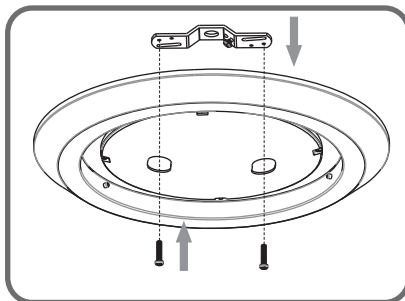
Shade



STEP 1

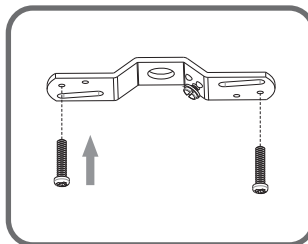
1

Determine mounting holes for mounting screws



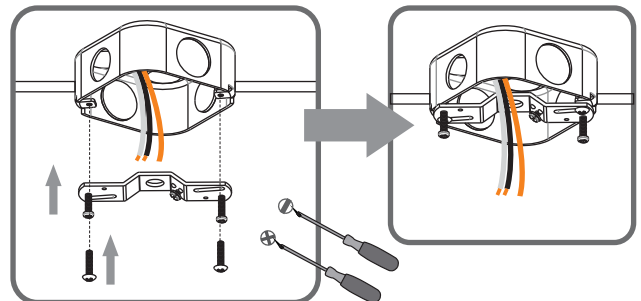
2

Install mounting screws

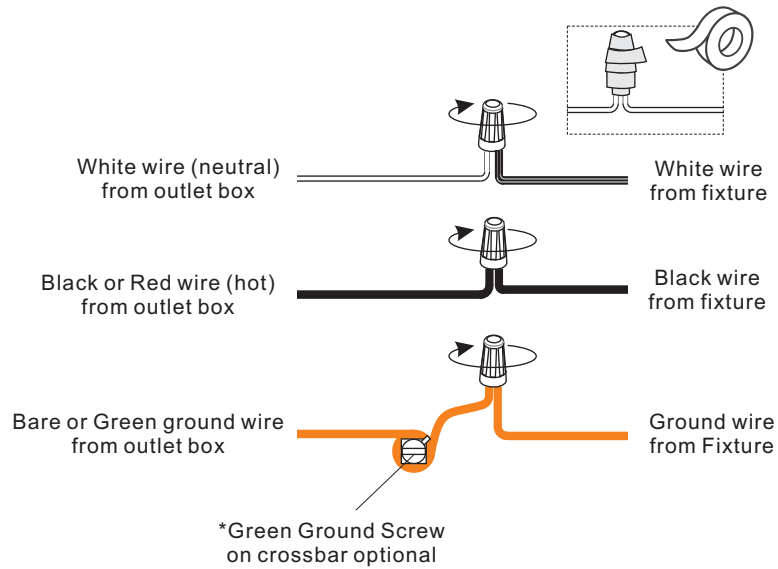


3

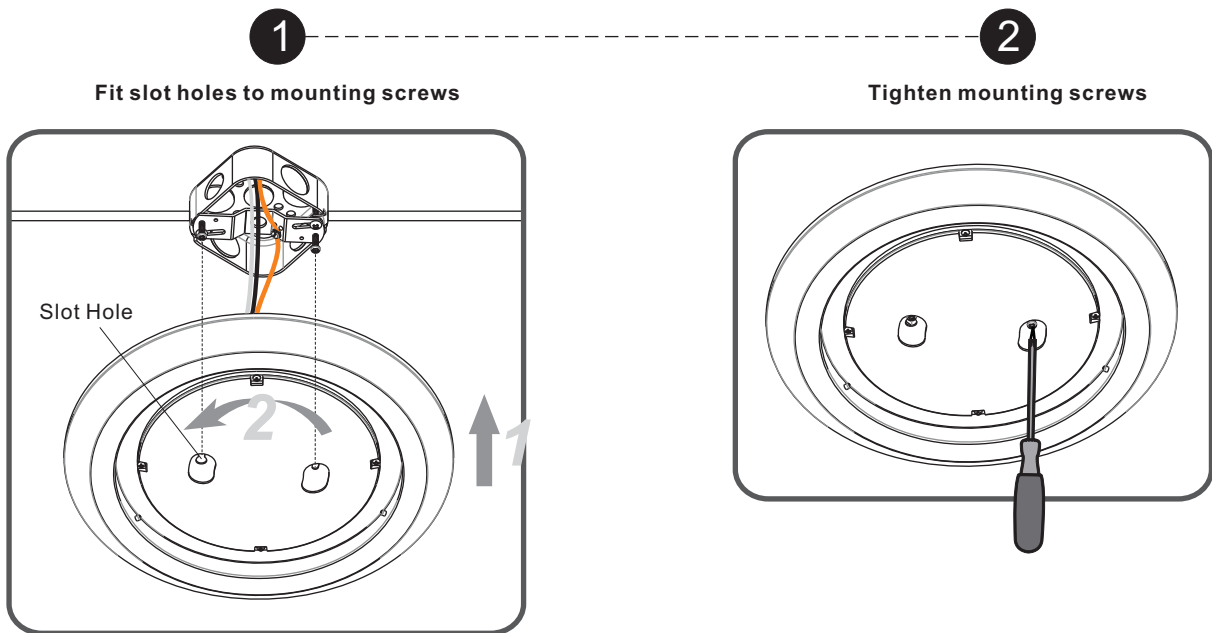
Install Crossbar



STEP 2



STEP 3



STEP 4

