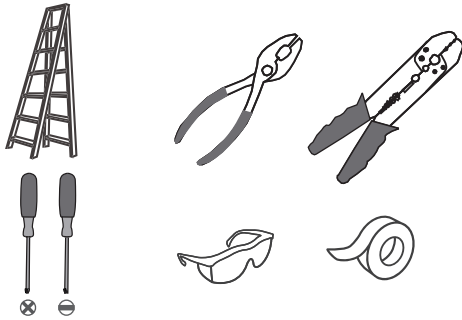
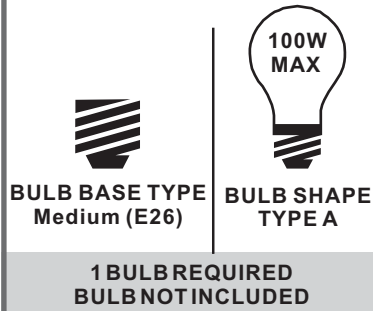


Tools Required



Light Source



**Fixture Height Adjustable
19.75" to 55.75"**

⚠ Warnings and Cautions

Turn off the electricity at the circuit breaker before installation. Consult a licensed electrician if in doubt about installation.

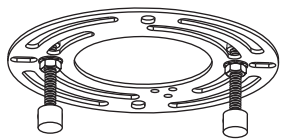
Turn off power to the fixture and allow the bulbs to cool before replacing.

Package Contents

Preparation: Identify and inspect all parts before beginning the installation.

Missing or damaged parts? Contact your original place of purchase.

PARTS BAG



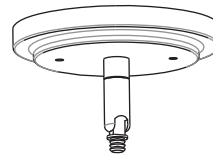
A Crossbar Assembly
x 1



B Outlet Box Screw
x 2



C Wire Connector
x 3



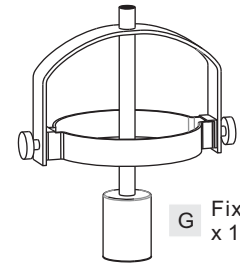
D Ceiling Canopy
x 1



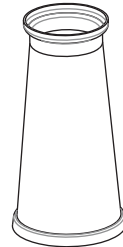
E 6" L Rod
x 2



F 12" L Rod
x 2



G Fixture Body
x 1



H Shade
x 1

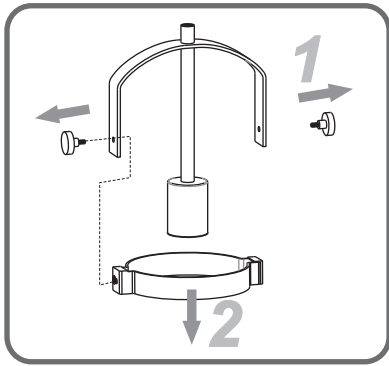
Table of Contents

Shade	Crossbar Assembly	Downrod	Wiring	Ceiling Canopy	Bulb
STEP 1	STEP 2	STEP 3	STEP 4	STEP 5	STEP 6

STEP 1

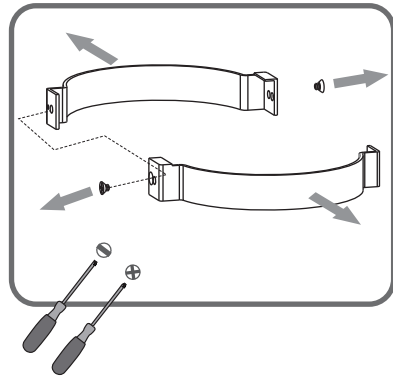
1

Remove holder



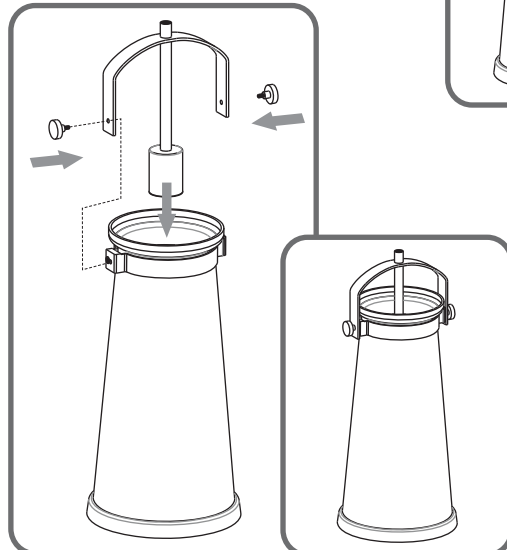
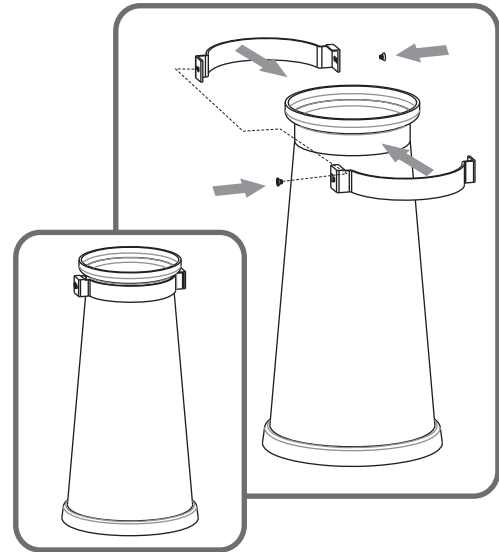
2

Separate holders



3

Install holders to shade



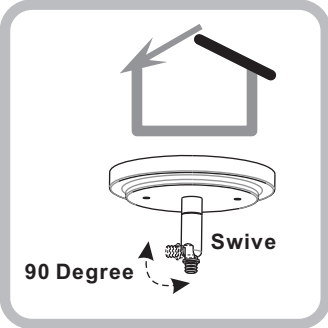
Install arm to holders

4

STEP 2

1

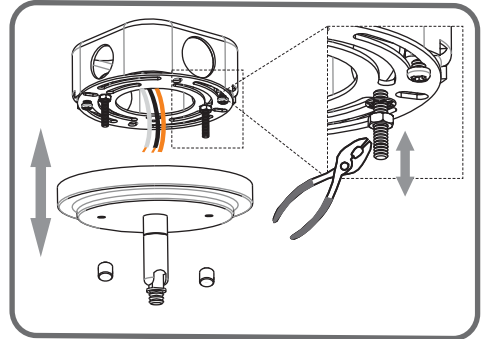
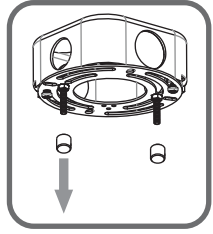
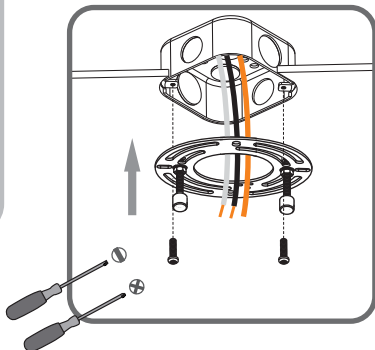
**Step 1
Install crossbar assembly**



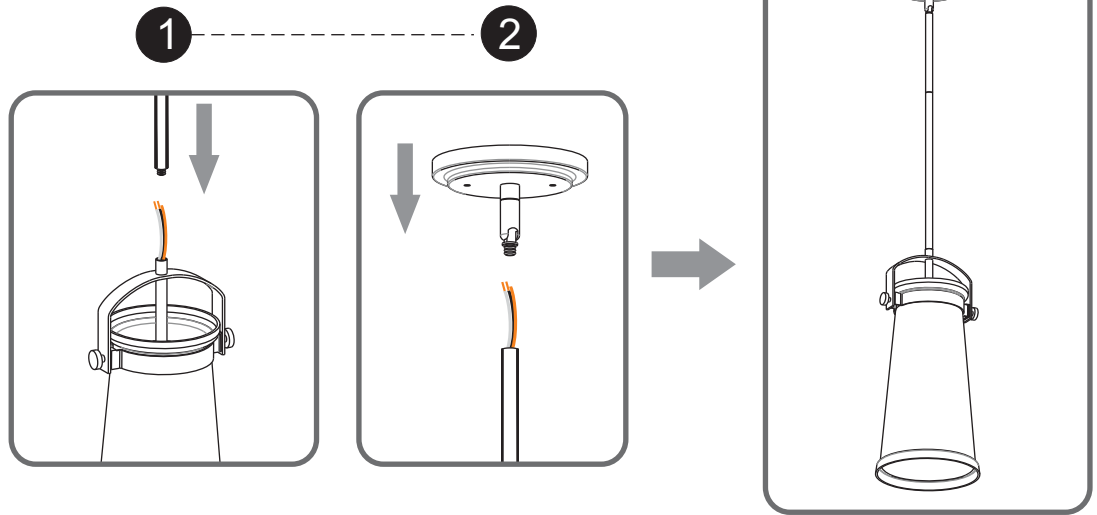
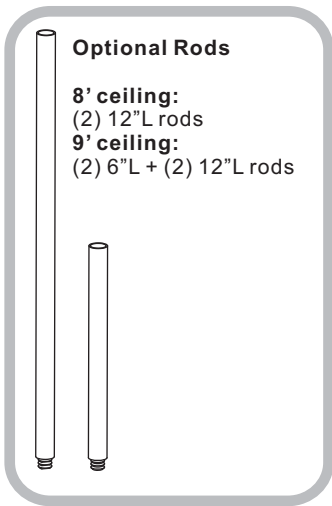
For angled ceilings,
Swivel opening towards wall.

2

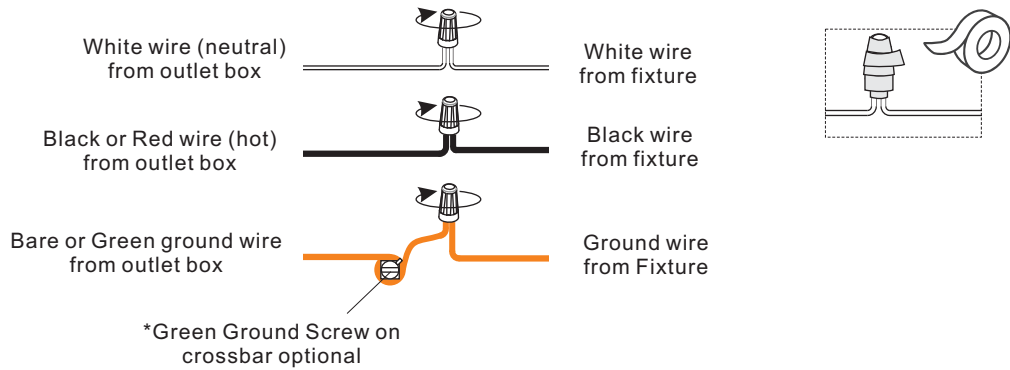
**Step 2 - 3
Test fitting ceiling canopy to
mounting screws**



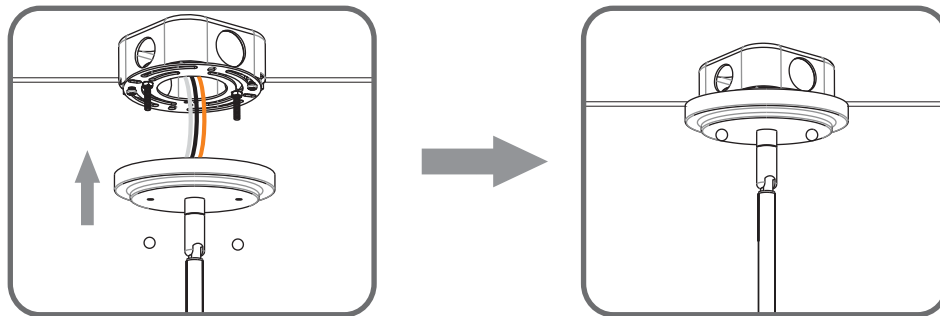
STEP 3



STEP 4



STEP 5



STEP 6

