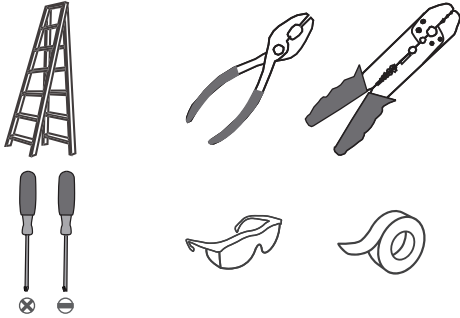
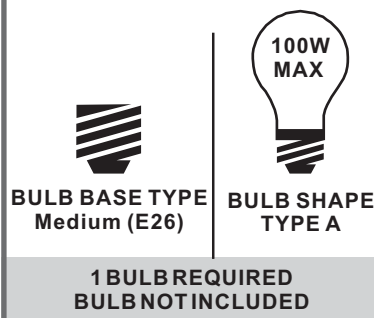


**Tools Required**



**Light Source**



**Warnings and Cautions**

Turn off the electricity at the circuit breaker before installation. Consult a licensed electrician if in doubt about installation.

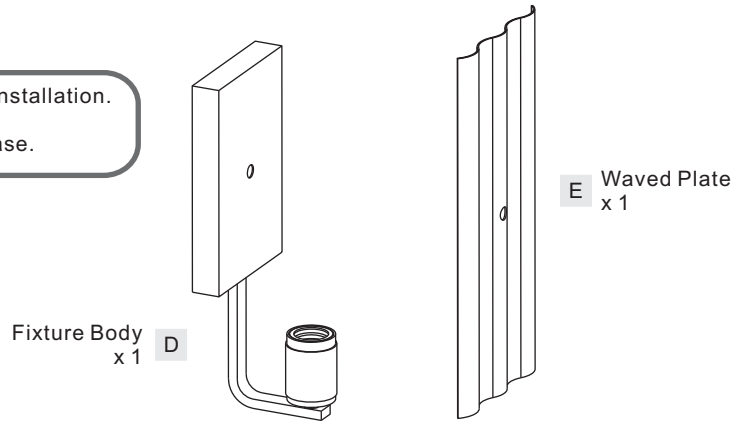
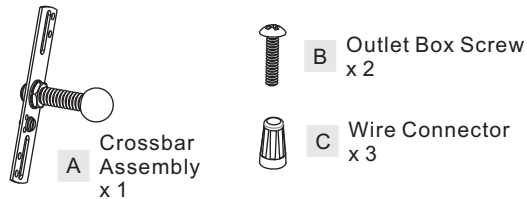
Turn off power to the fixture and allow the bulbs to cool before replacing.

**Package Contents**

**Preparation:** Identify and inspect all parts before beginning the installation.

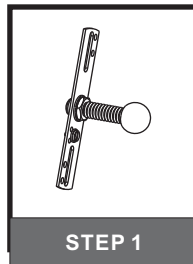
Missing or damaged parts? Contact your original place of purchase.

**PARTS BAG**

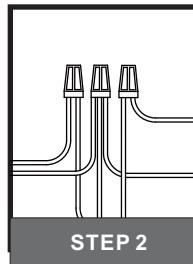


**Table of Contents**

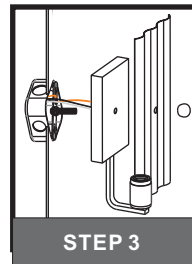
**Crossbar Assembly**



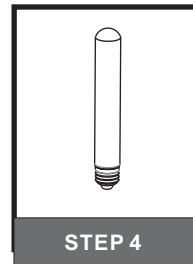
**Wiring**



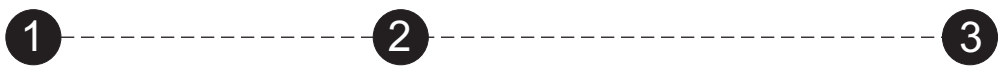
**Fixture Body & Waved Plate**



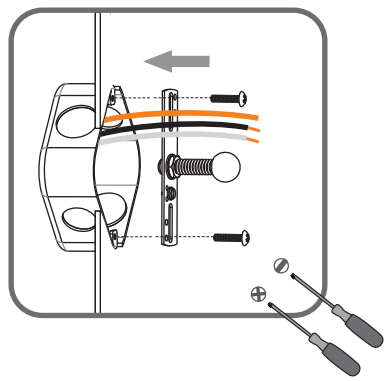
**Bulb**



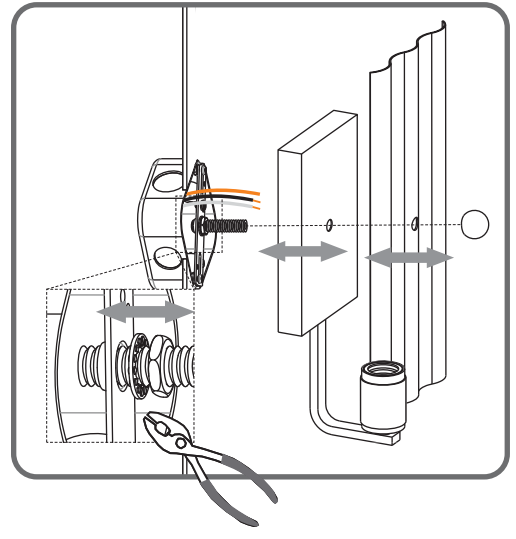
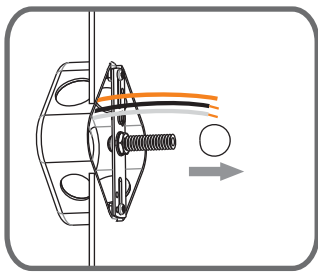
# STEP 1



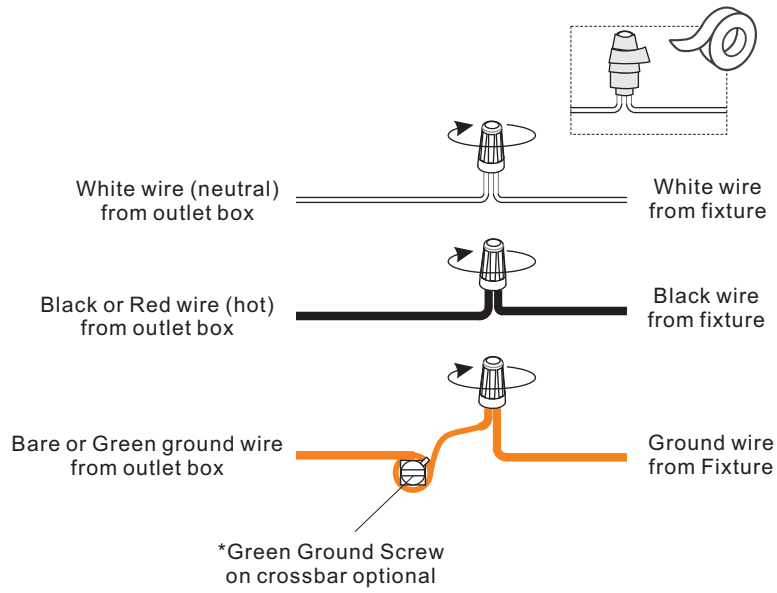
**Step 1**  
Install crossbar assembly



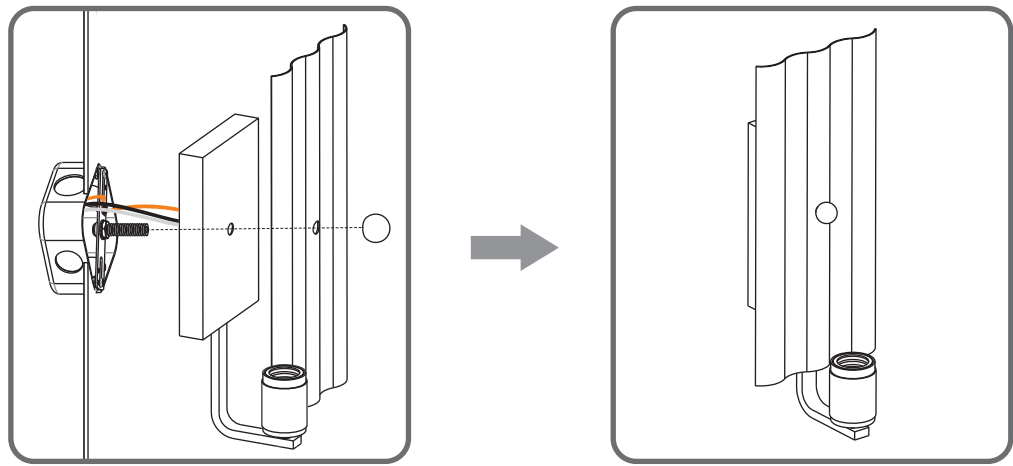
**Step 2 - 3**  
Test fitting backplate to nipple



# STEP 2



# STEP 3



**STEP 4**

