

Please go to [www.quoizel.com](http://www.quoizel.com) for product cleaning tips. Go to the **Care + Maintenance** selection.

**Tools Required:** Flathead screwdriver, Phillips screwdriver, pliers, wire cutters, wire strippers, electrical tape, safety glasses.

**Light Source:** (4) G9 Xenon Clear bulb (supplied), 60W Maximum

**Fixture Hanging Height:** Minimum Hanging Height is 12", Maximum Hanging Height is 48".

**Estimated Assembly Time:** 30-45 minutes

**Preparation:** Identify and inspect all parts before beginning installation. Check package content list and diagrams below to ensure all parts are present. If any parts are missing or damaged, do not attempt to assemble, install, or operate the fixture. Missing Parts? Contact your original place of purchase.

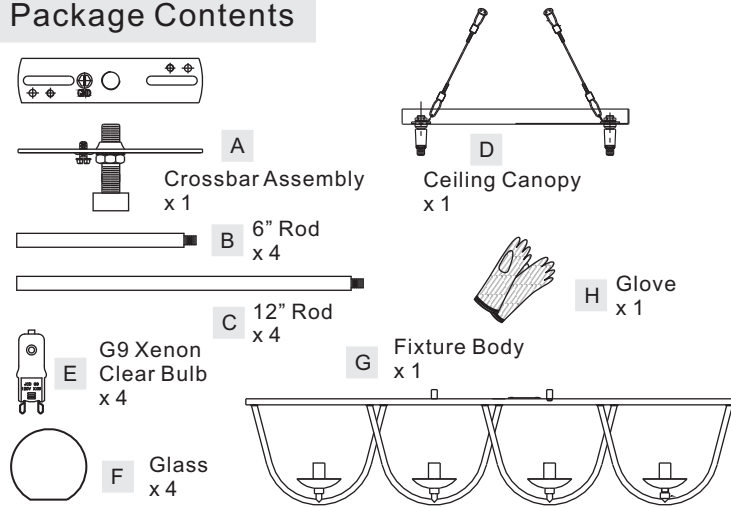
### ⚠ Warnings and Cautions

Turn off electricity at circuit breaker or main fuse box before installation. Consult a licensed electrician if in doubt.

These instructions are provided for your safety. It is very important you read them completely before installing the fixture. We strongly recommend that a licensed, professional electrician perform the installation.

Disconnect fixture from power source before replacing bulbs. Make sure bulbs are given sufficient time to cool before removal.

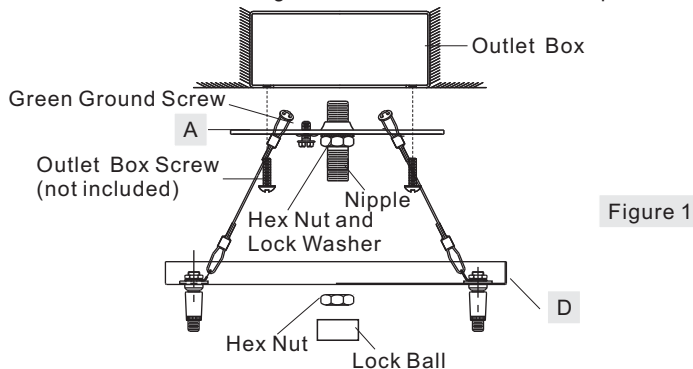
### Package Contents



Before you start, wear Gloves (H) to keep product stay away from dirty during installation.

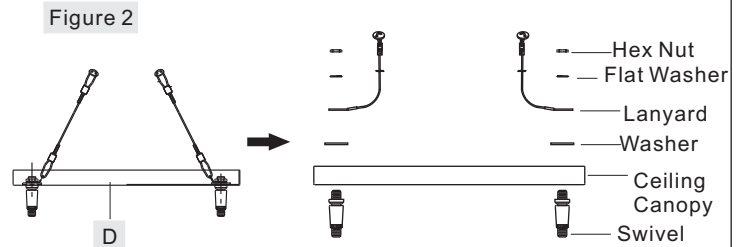
### STEP 1 - Install the Crossbar Assembly to Outlet Box and Adjust the length of the Nipple

- Attach the Crossbar Assembly (A) to the Outlet Box with the head of the Green Ground Screw facing you. Secure it with Outlet Box Screws (not included), tighten until snug.
- Adjust the hex nut and lock washer underside of the crossbar to the middle of the nipple.
- Remove the Lock Ball and Hex Nut from the Nipple. Place the Ceiling Canopy over the Nipple against the ceiling to determine the correct position of the nipple. Thread the Finial onto the Nipple. Adjust the nipple to allow the Ceiling Canopy to rest against the ceiling when held in place by the Lock Ball.
- Remove the Lock Ball and the Ceiling Canopy (D). Tighten the lock washer and the hex nut against the crossbar to secure in place.



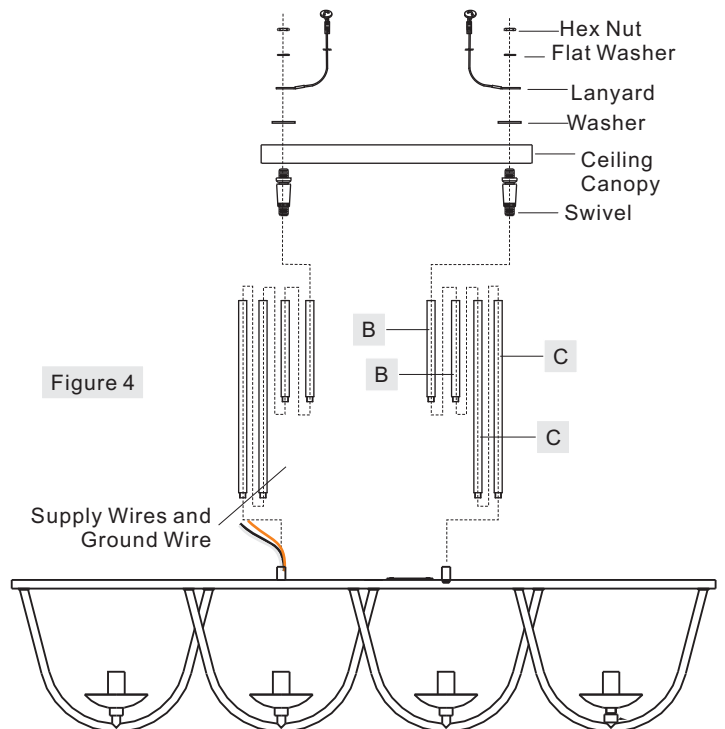
### STEP 2 - Separate Swivels from Ceiling Canopy

- Unlock hex nuts inside of the ceiling canopy to separate swivels from the ceiling canopy.



### STEP 3 - Install Ceiling Canopy, Rods and Fixture Body together

- Determine the Rods (B/C) to be assembled to the Fixture Body (E) according to your hanging height.
- Pass the supply wires and ground wire through the chosen



**(Step 3 Continued)**

rods (B/C), one swivel, ceiling canopy, one washer, lanyard and flat washer in turn. Thread the Fixture Body (G), the chosen Rods (B/C) and swivels together. Hand tighten until snug.

- C. Place the ceiling canopy, washers, lanyard and flat washer onto swivels as shown. Secure by threading hex nuts back onto swivels. Hand tighten until snug.

Suggested rods for Ceiling height :  
 8' ceiling: use (4) 6" rod and (2) 12" rod  
 9' ceiling: use (4) 6" rods and (4) 12" rod

**STEP 4 - Attach the Lanyard**

- A. The purpose of the lanyard is to provide a means to support the fixture hands free from the junction box while connecting the electrical wires.
- B. Turn the Button Stop so it may be inserted into a Crossbar slot. Make sure the Button Stop is completely inside the Crossbar. Slowly release the fixture to make sure it is supported by the Button Stop. Proceed to the wiring steps in the next step. Once you are complete with the wiring, the Lanyard will push into the junction box when the fixture is placed for final mounting.

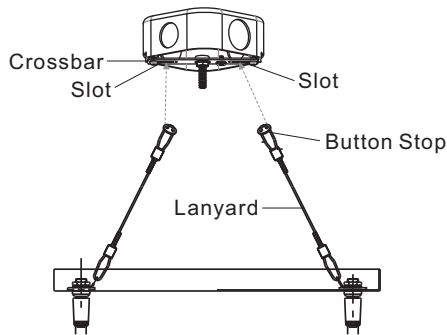


Figure 3

**STEP 5 - Wire Connections**

- A. Wrap bare or green ground wire around green ground screw on the crossbar, no less than 2 inches from the end of the wire. Tighten the green ground screw.
- B. Use standard wire connectors (not included) to make all wire connections. Twist connectors until wires are tightly joined together. Wrap each connection with approved electrical tape and carefully stuff all the connected wires into the Outlet Box.

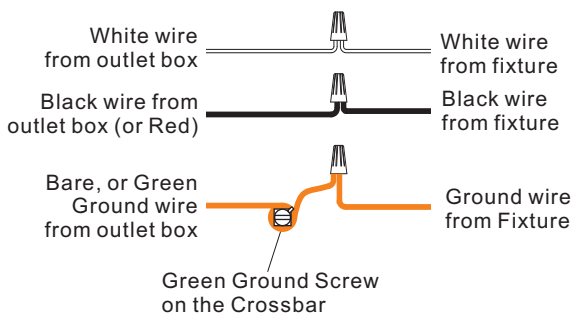


Figure 6

**STEP 6 - Install Ceiling Canopy to Crossbar**

- A. Attach the Ceiling Canopy (D) over the end of the Nipple and secure with the Hex Nut. Hand tighten until snug.
- B. Thread the Lock Ball onto the Nipple and hand tighten until snug.

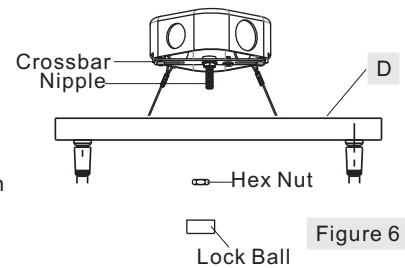


Figure 6

**STEP 7 - Install the Glass and the Bulb**

- A. This fixture uses G9 Xenon clear bulb (E). Maximum 60 watts. Insert bulb and push snugly into place.
- b. Loosen Coupling towards the bar.
- c. Push the Shade Cap away from the socket.
- d. Fit glass (F) over one end of the shade holder.
- e. Fit glass (F) over the other end of shade holder.
- f. Insure that glass (F) is held by both ends of the shade holder and slide shade cap to top of glass (F).
- g. Tighten Coupling against shade cap until glass is secure. Do not over tighten coupling as glass (F) may break.

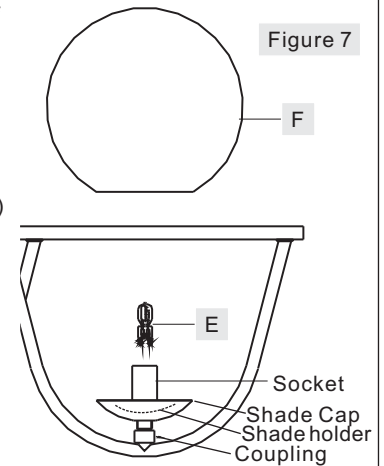


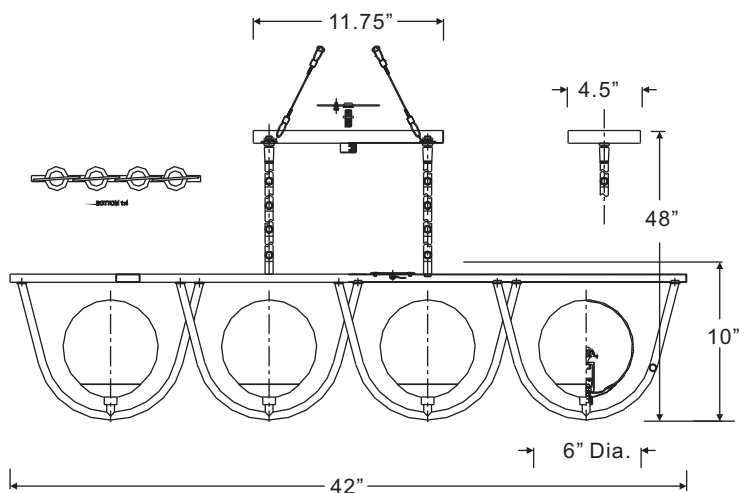
Figure 7

**IMPORTANT:** Do not touch the bulb with bare hands use a cloth or glove.

Your fixture is now assembled and ready to use. Enjoy!

RSO442C

FINISH: POLISHED CHROME



NOTE: ALL DIMENSIONS ARE ROUNDED UP TO THE NEAREST 1/4"