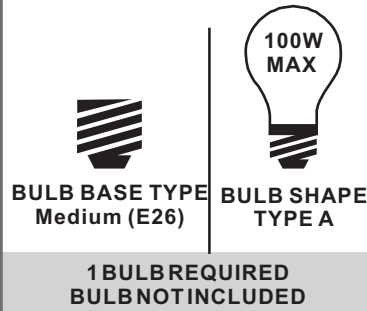


Tools Required



Light Source



Warnings and Cautions

Turn off the electricity at the circuit breaker before installation. Consult a licensed electrician if in doubt about installation.

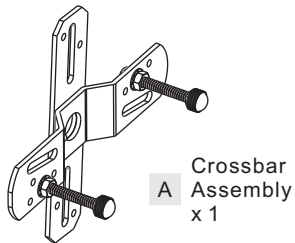
Turn off power to the fixture and allow the bulbs to cool before replacing.




Package Contents

Preparation: Identify and inspect all parts before beginning the installation.

Missing or damaged parts? Contact your original place of purchase.

PARTS BAG



-  **B** Alternate Mounting Screw x 2
-  **C** Outlet Box Screw x 2
-  **D** Wire Connector x 3

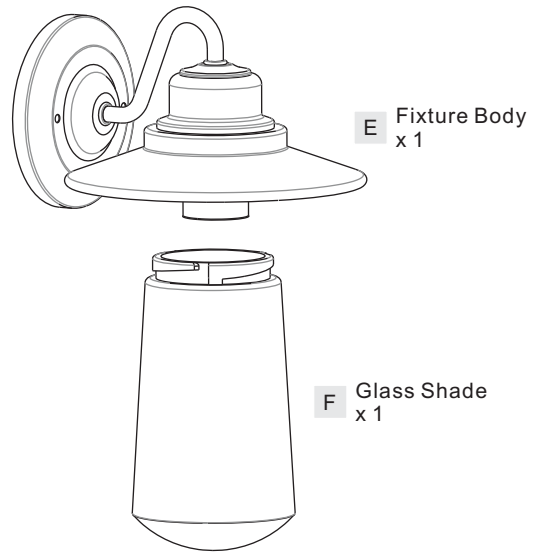

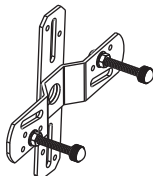
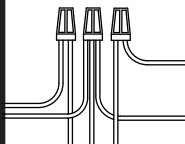


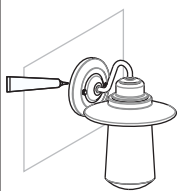


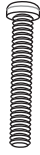
Table of Contents

Alternate Mounting Screw	Crossbar Assembly	Wiring	Fixture Body	Bulb & Glass Shade	Caulk
					
STEP 1	STEP 2	STEP 3	STEP 4	STEP 5	STEP 6

STEP 1

OPTION 1

Standard Mounting Screw



Included (Pre-assembled)

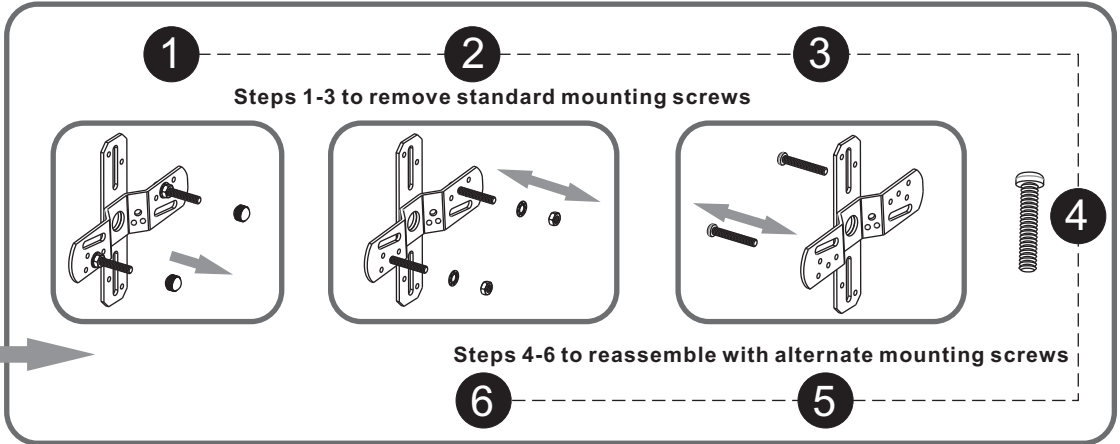
OPTION 2

Alternate Mounting Screw



Included

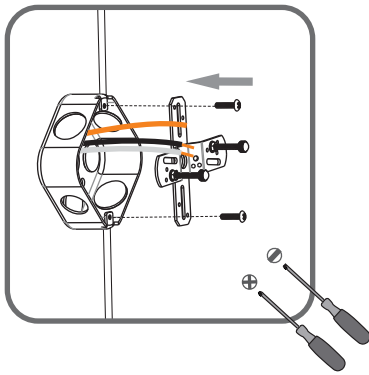
skip to next page



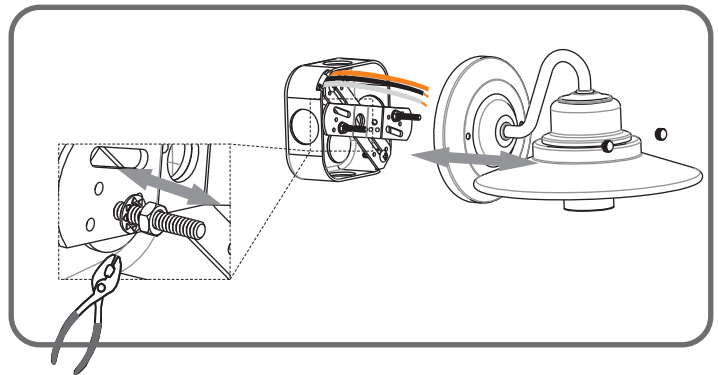
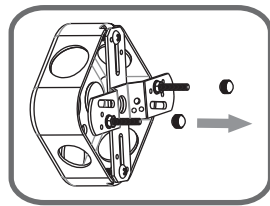
STEP 2

1 2 3

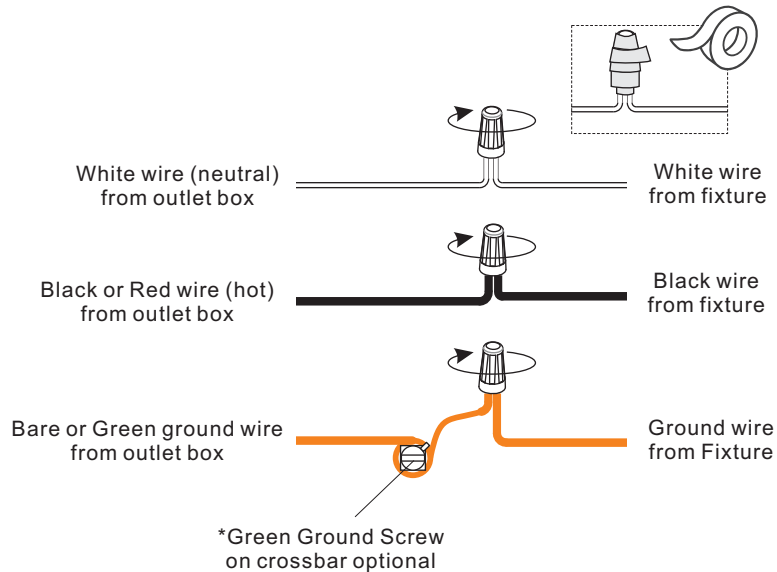
Step 1
Install crossbar assembly



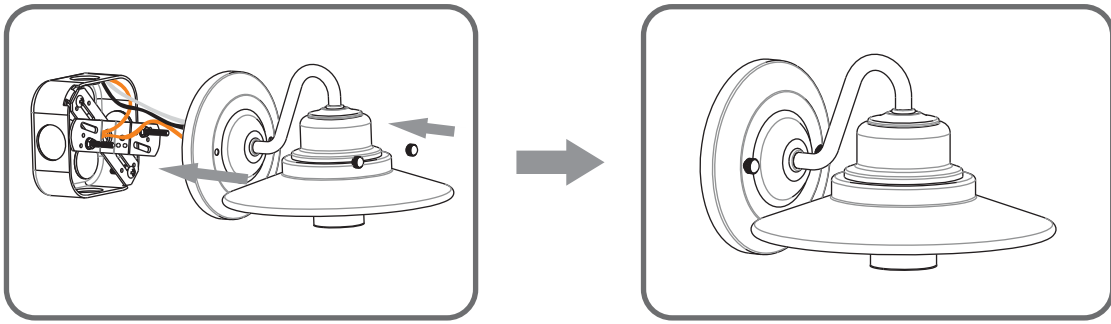
Step 2 - 3
Test fitting backplate to mounting screws



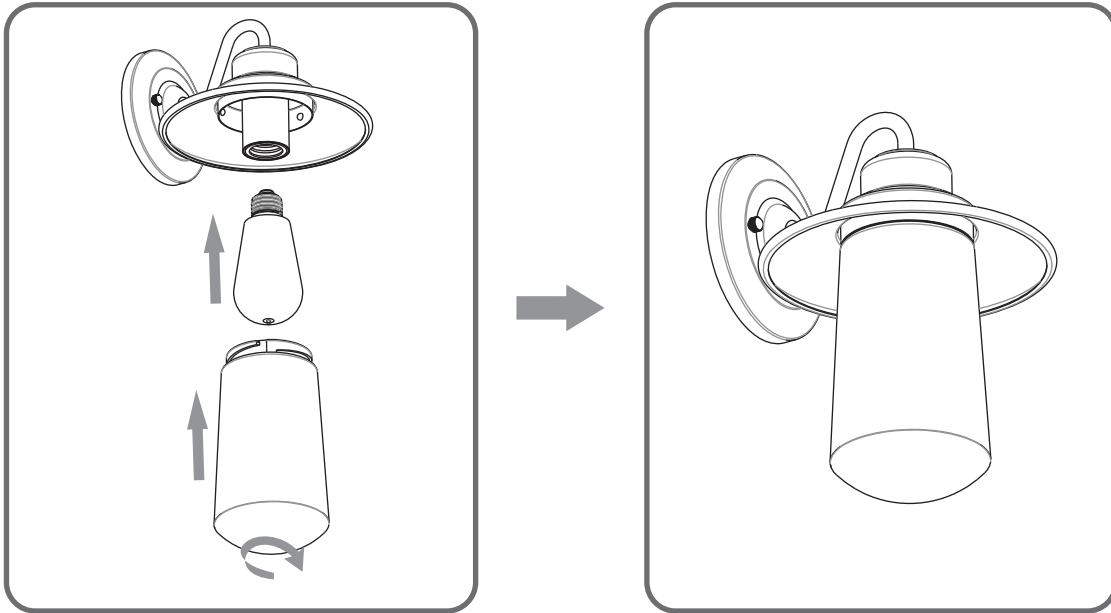
STEP 3



STEP 4



STEP 5



STEP 6

